



Chipsmall Limited consists of a professional team with an average of over 10 year of expertise in the distribution of electronic components. Based in Hongkong, we have already established firm and mutual-benefit business relationships with customers from,Europe,America and south Asia,supplying obsolete and hard-to-find components to meet their specific needs.

With the principle of “Quality Parts,Customers Priority,Honest Operation,and Considerate Service”,our business mainly focus on the distribution of electronic components. Line cards we deal with include Microchip,ALPS,ROHM,Xilinx,Pulse,ON,Everlight and Freescale. Main products comprise IC,Modules,Potentiometer,IC Socket,Relay,Connector.Our parts cover such applications as commercial,industrial, and automotives areas.

We are looking forward to setting up business relationship with you and hope to provide you with the best service and solution. Let us make a better world for our industry!



Contact us

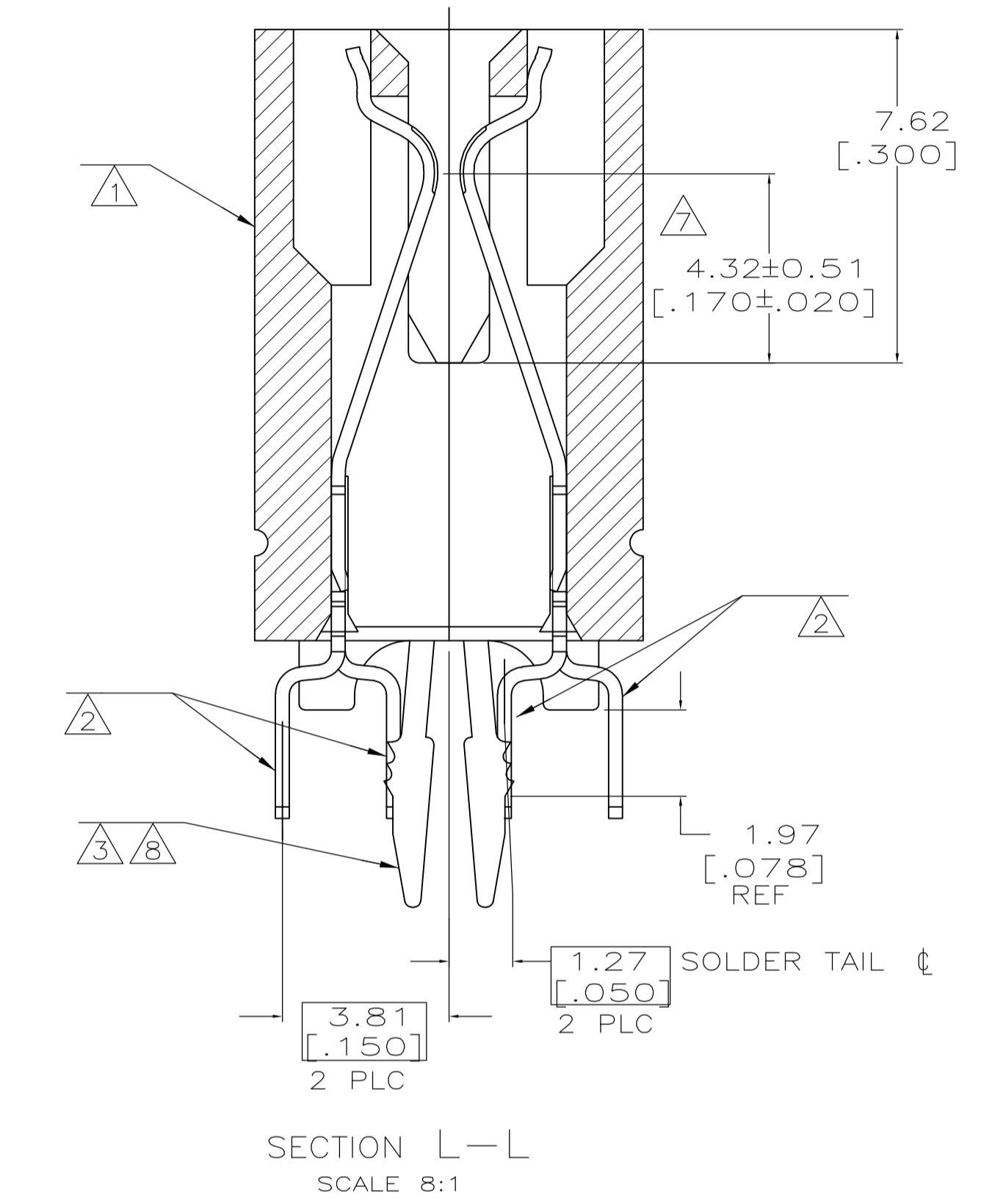
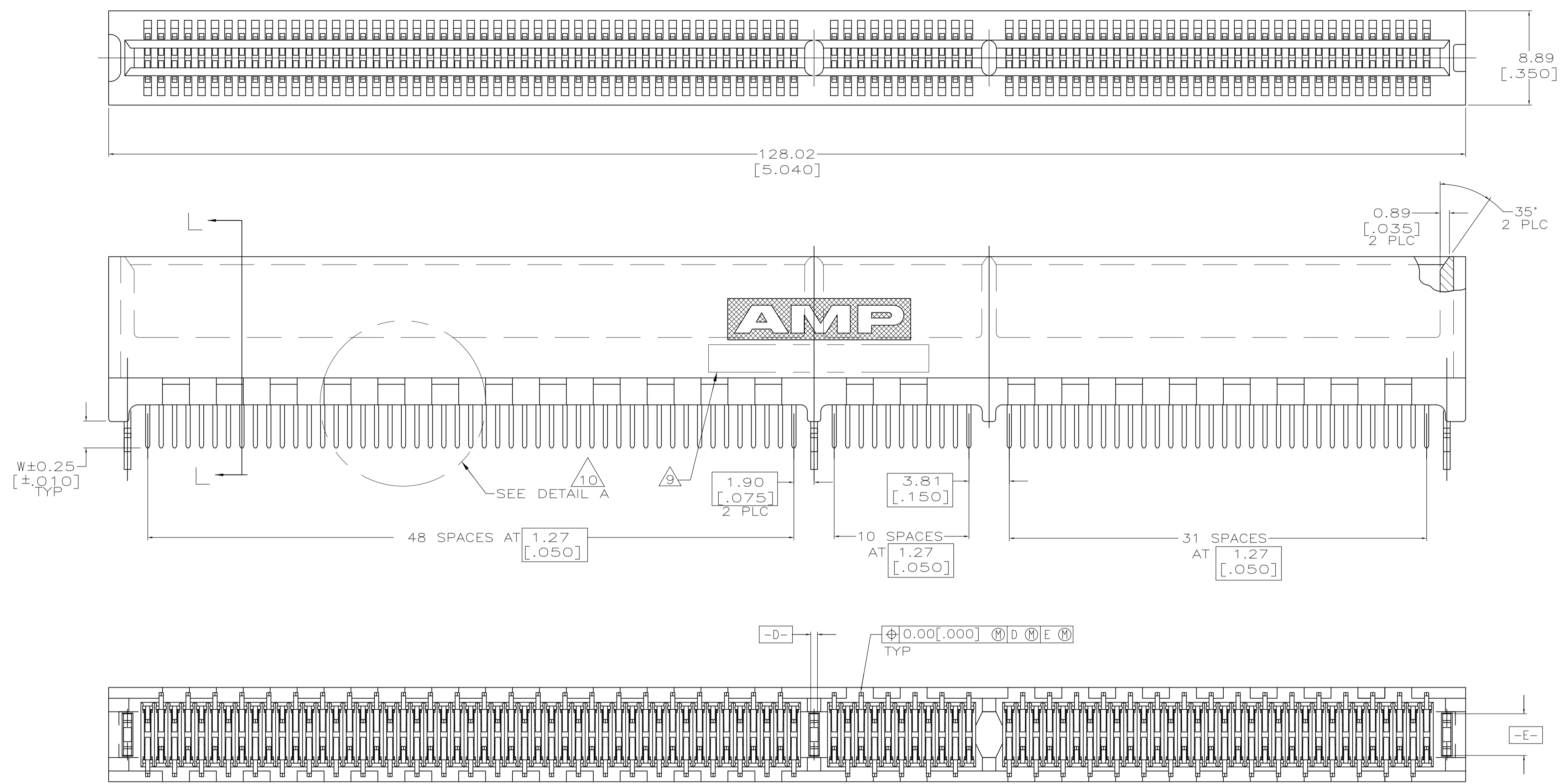
Tel: +86-755-8981 8866 Fax: +86-755-8427 6832

Email & Skype: info@chipsmall.com Web: www.chipsmall.com

Address: A1208, Overseas Decoration Building, #122 Zhenhua RD., Futian, Shenzhen, China

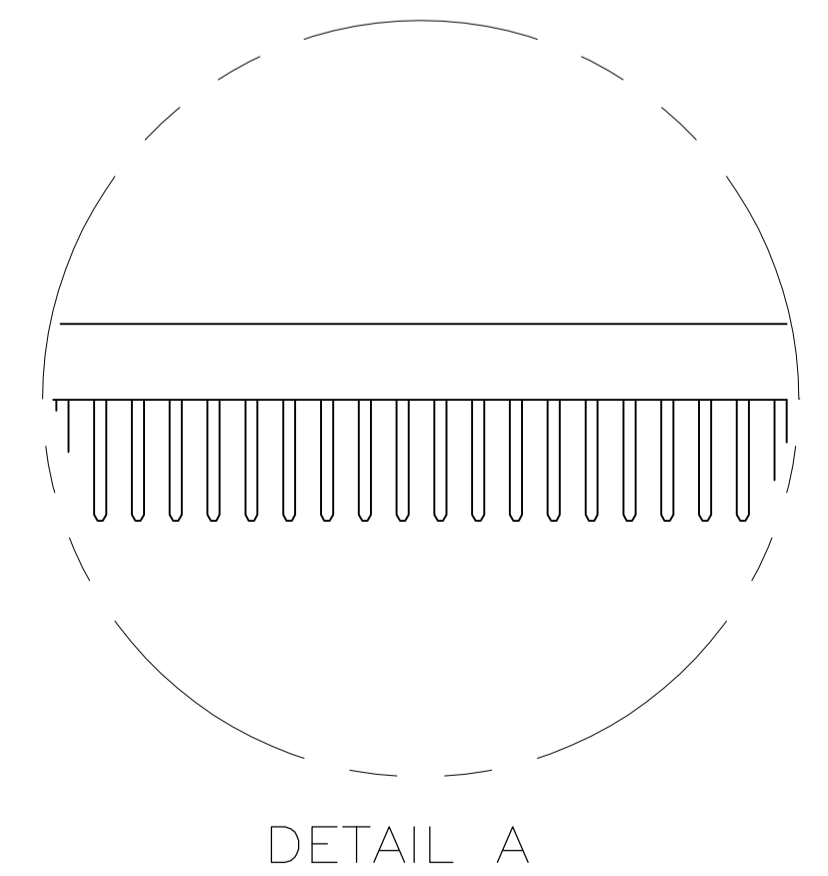


LOC	DIST	REVISIONS					
GP	00	F	LTR	DESCRIPTION	DATE	DWN	APVD
		B		REVISED PER 0515-0085-05	10 MAY 05	AWF	AWF
		B1		REVISED PER ECO-10-000444	19JAN10	KK	HMR



SEE SHEET 2 FOR HOLE PATTERN

- 1 HOUSING: HIGH TEMPERATURE THERMOPLASTIC. COLOR - NATURAL
- 2 CONTACT: PHOSPHOR BRONZE.
- 3 METAL HOLD DOWN: BRASS
- 4 CONTACT FINISH: .001269[.000050] MIN NICKEL ALL OVER. GOLD FLASH OVER NICKEL IN CONTACT AREA. .002537[.000100] MIN MATTE TIN OVER NICKEL ON SOLDER TAILS.
- 5 CONTACT FINISH: .001269[.000050] MIN NICKEL ALL OVER. .000375[.000015] GOLD OVER NICKEL IN CONTACT AREA. .002537[.000100] MIN MATTE TIN OVER NICKEL ON SOLDER TAILS.
- 6 CONTACT FINISH: .001269[.000050] MIN NICKEL ALL OVER. .000757[.000030] GOLD OVER NICKEL IN CONTACT AREA. .002537[.000100] MIN MATTE TIN OVER NICKEL ON SOLDER TAILS.
- 7 DISTANCE FROM CONTACT POINT TO BOTTOM OF CARD SLOT.
- 8 METAL HOLD DOWN FINISH: .001269[.000050] MIN NICKEL ALL OVER, .003809[.000150] MIN MATTE TIN ALL OVER.
- 9 AMP PART NUMBER, DATE CODE AND CSA LOGO MARKED IN APPROXIMATE LOCATION SHOWN.
- 10 CORED OR SOLID SIDE WALLS ARE AT DISCRETION OF AMP INCORPORATED.
- 11 OBSOLETE PARTS: OBSOLETE CIS STREAMLINING PER D.RENAUD/D.SINISI



3.56 [.140]	1-5145169-2
3.18 [.125]	5145169-8
2.54 [.100]	5145169-4
2.54 [.100]	5145169-2
2.54 [.100]	5145169-1

W FINISH PART NUMBER

THIS DRAWING IS A CONTROLLED DOCUMENT.

DIMENSIONS: mm	TOLERANCES UNLESS OTHERWISE SPECIFIED:	0 PLC ± -	1 PLC ± -	2 PLC ± .01	3 PLC ± .005	4 PLC ± -	ANGLES ± °
----------------	--	-----------	-----------	-------------	--------------	-----------	------------

DRAWING NO	108-14034
APPLICATION SPEC	114-26012
WEIGHT	-

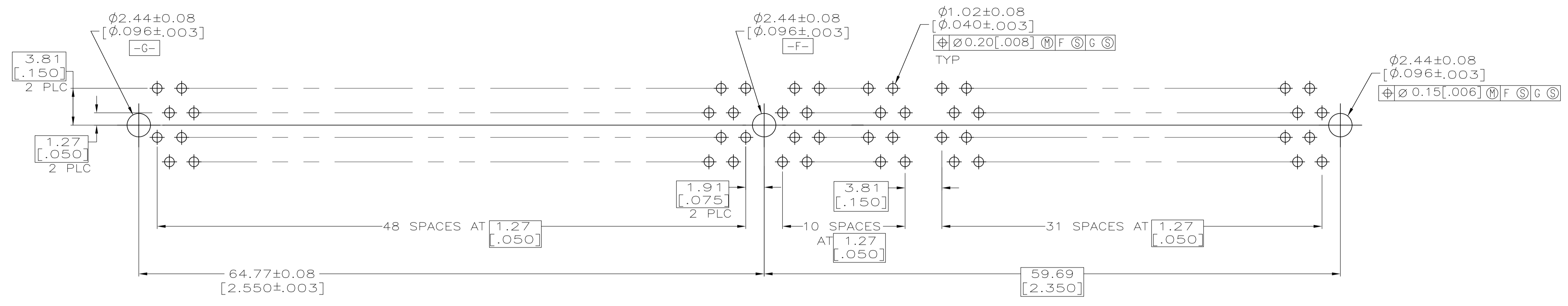
AL FRANTUM 06 MAY 05
 AL FRANTUM 06 MAY 05

Tyco Electronics Corporation
 Harrisburg, Pa 17105-3608

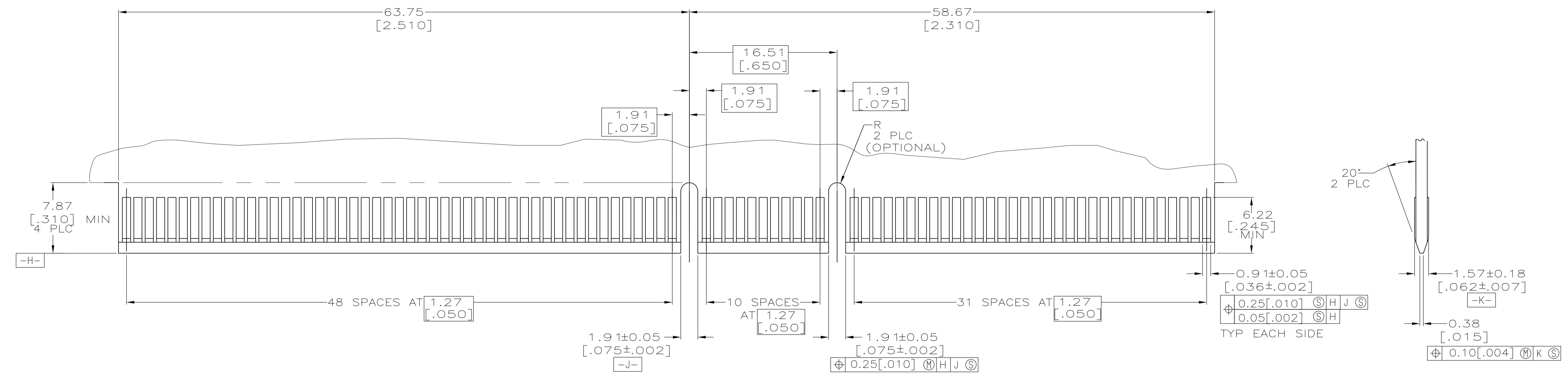
CONNECTOR ASSEMBLY,
 92 DUAL POSITION,
 .050 SERIES, STANDARD EDGE

SIZE: A1 CAGE CODE: 00779 DRAWING NO: 5145169

CUSTOMER DRAWING SCALE: 4:1 SHEET: 1 OF 2 REV: B1



RECOMMENDED CONNECTOR MOUNTING HOLE PATTERN
 (CONNECTOR SIDE SHOWN)



RECOMMENDED MATING BOARD EDGE CONFIGURATION

THIS DRAWING IS A CONTROLLED DOCUMENT.		DWN AL FRANTUM 06 MAY 05 CHK AL FRANTUM 06 MAY 05 APVD	Tyco Electronics Tyco Electronics Corporation Harrisburg, Pa 17105-3608
DIMENSIONS: mm	TOLERANCES UNLESS OTHERWISE SPECIFIED: 0 PLC ± - 1 PLC ± - 2 PLC ± .01 3 PLC ± .005 4 PLC ± - ± 2° ANGLES	PRODUCT SPEC 108-14034 APPLICATION SPEC 114-26012	NAME CONNECTOR ASSEMBLY, 92 DUAL POSITION, .050 SERIES, STANDARD EDGE SIZE CAGE CODE DRAWING NO. RESTRICTED TO A1 00779 C=5145169 - WEIGHT CUSTOMER DRAWING SCALE 4:1 SHEET 2 OF 2 REV B1