



Chipsmall Limited consists of a professional team with an average of over 10 year of expertise in the distribution of electronic components. Based in Hongkong, we have already established firm and mutual-benefit business relationships with customers from,Europe,America and south Asia,supplying obsolete and hard-to-find components to meet their specific needs.

With the principle of “Quality Parts,Customers Priority,Honest Operation,and Considerate Service”,our business mainly focus on the distribution of electronic components. Line cards we deal with include Microchip,ALPS,ROHM,Xilinx,Pulse,ON,Everlight and Freescale. Main products comprise IC,Modules,Potentiometer,IC Socket,Relay,Connector.Our parts cover such applications as commercial,industrial, and automotives areas.

We are looking forward to setting up business relationship with you and hope to provide you with the best service and solution. Let us make a better world for our industry!



Contact us

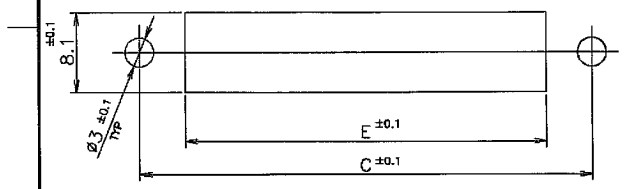
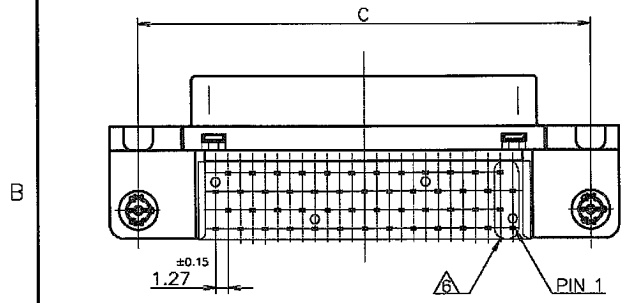
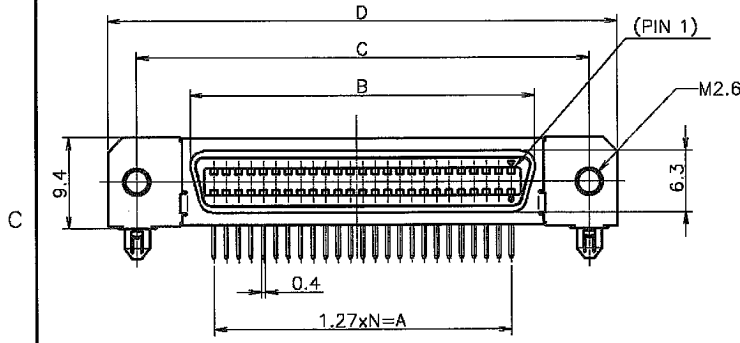
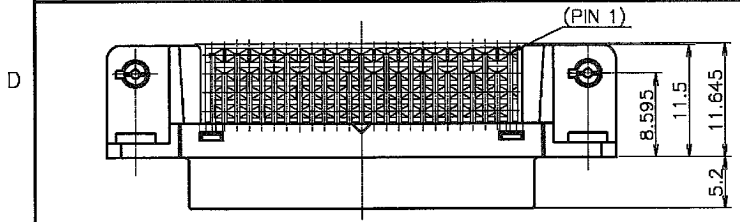
Tel: +86-755-8981 8866 Fax: +86-755-8427 6832

Email & Skype: info@chipsmall.com Web: www.chipsmall.com

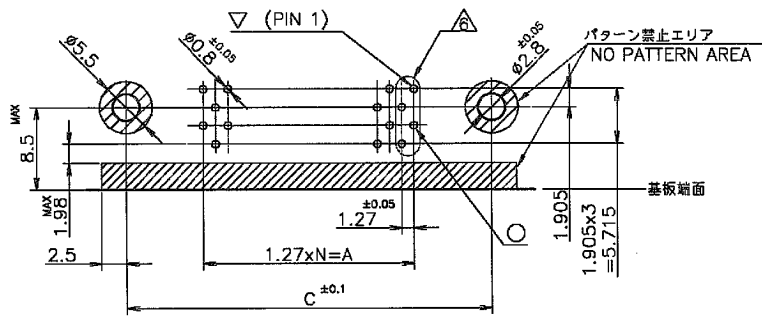
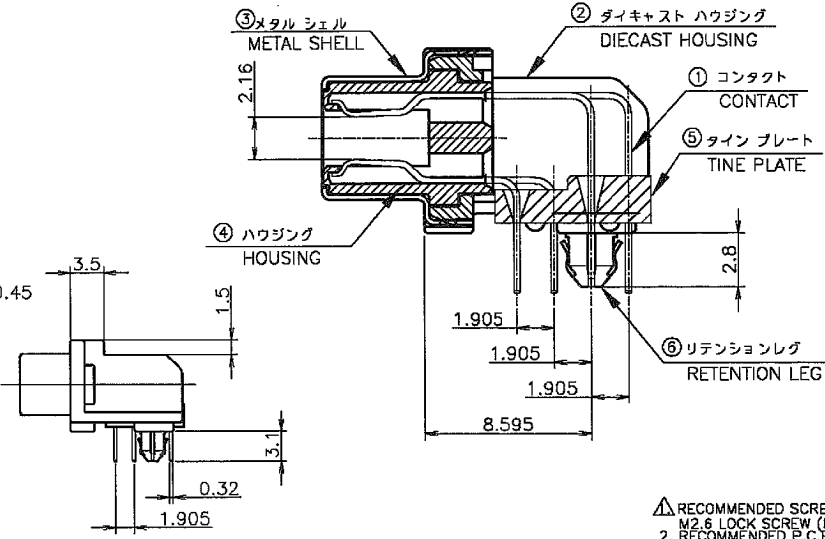
Address: A1208, Overseas Decoration Building, #122 Zhenhua RD., Futian, Shenzhen, China



| LOC | DIST | REVISIONS | | |
|-----|------|-----------|---------|-----------------------|
| J | - | P | LTR | DESCRIPTION |
| | | A | | REVISED ECR-05-017946 |
| | | | DATE | DWN |
| | | | 14DEC05 | L.Z |
| | | | | APVD |
| | | | | I.E |



推奨パネルカット寸法
RECOMMENDED PANEL CUTOUT
(厚さ 2mm 最大)
THK:2mm MAX



推奨基板穴あけ寸法
RECOMMENDED PC BOARD MOUNTING DIMMENSION
コネクタ取付面
COMPONENT SIDE

- △ RECOMMENDED SCREW SIZE: M2.6 LOCK SCREW (P/N:179715-1).
- 2. RECOMMENDED P.C.BOARD THICKNESS: 1.6mm (REF.)
- 3. CONNECTOR TO BE MATED:175677
- 4. INSERTION FORCE OF RETENTION LEG TO P.C.B.:2.2kg MAX/CONNECTOR.
- 5. RETENTIVITY OF RETENTION LEG TO P.C.B.:0.5kg MIN/CONNECTOR.
- △ POST/HOLE PATTERN AS SHOWN ON THIS END FOR ALL POSITION.

| 項目 ITEM | 材料及仕上げ MATERIAL & FINISH |
|------------|---|
| ① | COPPER ALLOY NICKEL UNDER PLATE ALL OVER. CONTACT AREA:AU PLATING SOLDER TINE AREA, TIN PLATE |
| ② | ZINC NICKEL PLATING |
| ③ | STEEL 0.25 NICKEL PLATE OVER COPPER UNDERPLATE |
| ④ | THERMO-PLASTIC COLOR:BLACK (UL:94V-0) |
| ⑤ | |
| ⑥ | COPPER ALLOY TIN PLATE OVER NICKEL UNDERPLATE |

| | | | | | | | | |
|----|-------|-------|-------|-------|-------|--------|------|-------------|
| 49 | 68.85 | 84.15 | 78.25 | 67.23 | 62.23 | 0.1μ | 100 | 1-5179717-9 |
| 39 | 56.15 | 71.45 | 65.55 | 54.53 | 49.53 | 0.1μ | 80 | 1-5179717-8 |
| N | E | D | C | B | A | Au PL. | POS. | PART NO. |

THIS DRAWING IS A CONTROLLED DOCUMENT.

| | | | |
|--|---|--------------------------------|---|
| DIMENSIONS: 単位: 尺 MM | TOLERANCES UNLESS OTHERWISE SPECIFIED: 一般公差 | DWN LEO ZHOU 28SEP04 | Tyco Electronics AMP K.K. Kawasaki, Japan |
| 0 PLC ± 0.3 1 PLC ± 0.3 2 PLC ± 0.3 3 PLC ± 0.3 4 PLC ± 0.3 ANGLES ± 3° | FINISH 仕上 | CHK STEVEN YAO 28SEP04 | |
| MATERIAL 材料 | SEE NOTE | APVD I. ENOMOTO 28SEP04 | NAME 名称 RECEPTACLE HDR ASSY (3.1mm) RETENTION LEG TYPE STANDARD CHAMP.050 SERIES (II) |
| | | PRODUCT SPEC 製品規格 188-68043 | SIZE A3 |
| | | APPLICATION SPEC 取付管用規格 | CAGE CODE 00779 |
| | | WEIGHT | DRAWING NO 番号 5179717 |
| | | CUSTOMER DRAWING | RESTRICTED TO - |
| | | | SCALE 尺数 2:1 |
| | | | SHEET 1 of 1 |
| | | | REV A |