



Chipsmall Limited consists of a professional team with an average of over 10 year of expertise in the distribution of electronic components. Based in Hongkong, we have already established firm and mutual-benefit business relationships with customers from,Europe,America and south Asia,supplying obsolete and hard-to-find components to meet their specific needs.

With the principle of “Quality Parts,Customers Priority,Honest Operation,and Considerate Service”,our business mainly focus on the distribution of electronic components. Line cards we deal with include Microchip,ALPS,ROHM,Xilinx,Pulse,ON,Everlight and Freescale. Main products comprise IC,Modules,Potentiometer,IC Socket,Relay,Connector.Our parts cover such applications as commercial,industrial, and automotives areas.

We are looking forward to setting up business relationship with you and hope to provide you with the best service and solution. Let us make a better world for our industry!



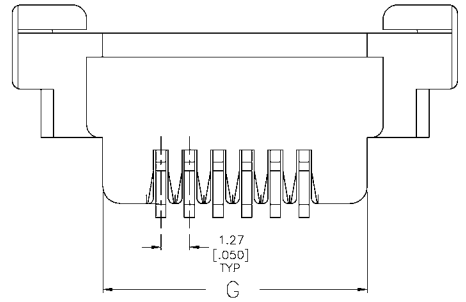
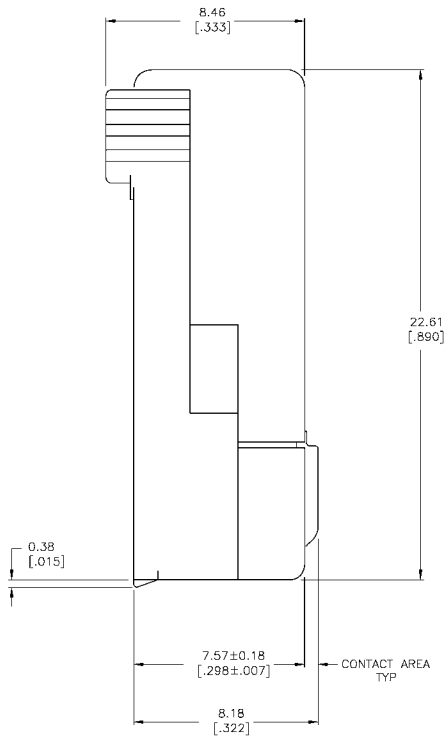
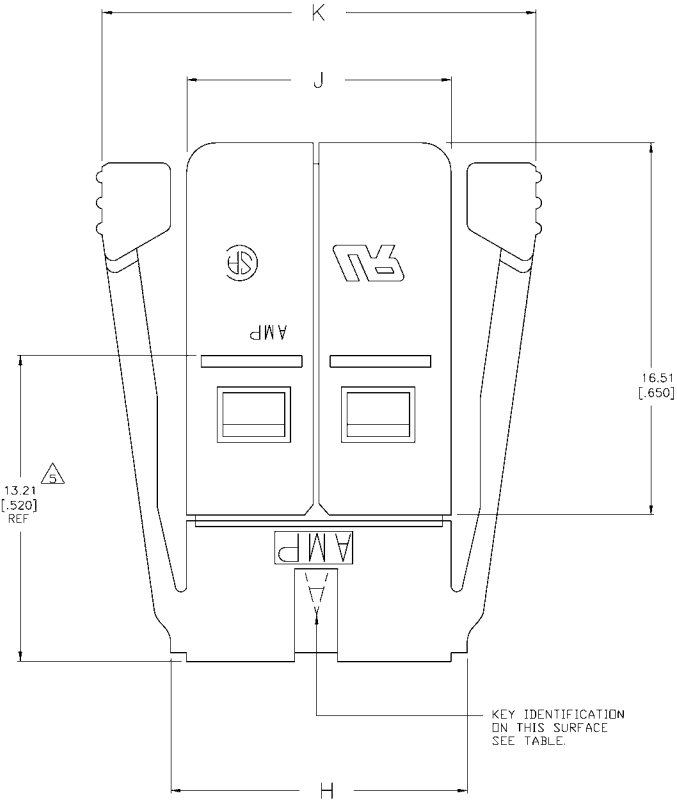
## Contact us

Tel: +86-755-8981 8866 Fax: +86-755-8427 6832

Email & Skype: info@chipsmall.com Web: www.chipsmall.com

Address: A1208, Overseas Decoration Building, #122 Zhenhua RD., Futian, Shenzhen, China





KEY IDENTIFICATION ON THIS SURFACE SEE TABLE.

- PREFIX AND SUFFIX NUMBERS MUST MATCH THOSE ON RECEPTACLE FOR PARTS TO MATE.
- MATERIAL:**  
 HOUSING- POLYCARBONATE  
 CONTACT- COPPER ALLOY  
 SHIELD- BRASS
- FINISH:**  
 HOUSING- SMOKE GRAY  
 CONTACT- 0.00127(0.00050) MIN NICKEL OVER ENTIRE PART,  
 0.00002(0.00001) GOLD FLASH OVER ENTIRE PART,  
 0.00127(0.00050) MIN GOLD OVER CONTACT AREA  
 SHIELD- BRIGHT TIN/LEAD 0.00076(0.00030) MIN OVER 0.00127(0.00050) MIN NICKEL.
- FOR TERMINATION OF CABLE WHOSE INDIVIDUAL CONDUCTORS HAVE AN INSULATION DIA OF 0.91(0.36) NOMINAL.
- INSERTION DEPTH INTO RECEPTACLE.
- FOR TERMINATION OF 26 OR 28 AWG, 7 STRANDED, FLAT RIBBON CABLE WITH 0.89(0.35) TO 0.96(0.38) O.D. PVC CONDUCTOR INSULATION. SEE 520822-1 FOR DETAIL.

	K	J	H	G	NO OF POSN	KEY TD	PART NUMBER
DISOLETE	16.87 [0.664]	9.53 [0.375]	10.46 [0.412]	9.35 [0.368]	4	F	6-520527-1
	21.95 [0.864]	14.60 [0.575]	15.54 [0.612]	14.43 [0.568]	8	E	5-520527-3
	16.87 [0.664]	9.53 [0.375]	10.46 [0.412]	9.35 [0.368]	4	E	5-520527-1
	16.87 [0.664]	9.53 [0.375]	10.46 [0.412]	9.35 [0.368]	4	D	4-520527-1
DISOLETE	16.87 [0.664]	9.53 [0.375]	10.46 [0.412]	9.35 [0.368]	4	C	3-520527-1
DISOLETE	19.40 [0.754]	12.06 [0.475]	13.00 [0.512]	11.89 [0.468]	6	B	2-520527-2
DISOLETE	16.87 [0.664]	9.53 [0.375]	10.46 [0.412]	9.35 [0.368]	4	B	2-520527-1
	32.11 [1.264]	24.76 [0.975]	25.78 [1.015]	24.59 [0.968]	16	A	1-520527-6
DISOLETE	21.95 [0.864]	14.60 [0.575]	15.54 [0.612]	14.43 [0.568]	8	A	1-520527-3
DISOLETE	19.40 [0.754]	12.06 [0.475]	13.00 [0.512]	11.89 [0.468]	6	A	1-520527-2
	16.87 [0.664]	9.53 [0.375]	10.46 [0.412]	9.35 [0.368]	4	A	1-520527-1

THIS DRAWING IS A CONTROLLED DOCUMENT.

DIMENSIONS: (INCHES) 0 P.A.C. = - 1 P.A.C. = - 2 P.A.C. = 0.25 (010) 3 P.A.C. = - 4 P.A.C. = - 5 P.A.C. = - 6 P.A.C. = - 7 P.A.C. = - 8 P.A.C. = - 9 P.A.C. = - 10 P.A.C. = - 11 P.A.C. = - 12 P.A.C. = - 13 P.A.C. = - 14 P.A.C. = - 15 P.A.C. = - 16 P.A.C. = - 17 P.A.C. = - 18 P.A.C. = - 19 P.A.C. = - 20 P.A.C. = - 21 P.A.C. = - 22 P.A.C. = - 23 P.A.C. = - 24 P.A.C. = - 25 P.A.C. = - 26 P.A.C. = - 27 P.A.C. = - 28 P.A.C. = - 29 P.A.C. = - 30 P.A.C. = - 31 P.A.C. = - 32 P.A.C. = - 33 P.A.C. = - 34 P.A.C. = - 35 P.A.C. = - 36 P.A.C. = - 37 P.A.C. = - 38 P.A.C. = - 39 P.A.C. = - 40 P.A.C. = - 41 P.A.C. = - 42 P.A.C. = - 43 P.A.C. = - 44 P.A.C. = - 45 P.A.C. = - 46 P.A.C. = - 47 P.A.C. = - 48 P.A.C. = - 49 P.A.C. = - 50 P.A.C. = - 51 P.A.C. = - 52 P.A.C. = - 53 P.A.C. = - 54 P.A.C. = - 55 P.A.C. = - 56 P.A.C. = - 57 P.A.C. = - 58 P.A.C. = - 59 P.A.C. = - 60 P.A.C. = - 61 P.A.C. = - 62 P.A.C. = - 63 P.A.C. = - 64 P.A.C. = - 65 P.A.C. = - 66 P.A.C. = - 67 P.A.C. = - 68 P.A.C. = - 69 P.A.C. = - 70 P.A.C. = - 71 P.A.C. = - 72 P.A.C. = - 73 P.A.C. = - 74 P.A.C. = - 75 P.A.C. = - 76 P.A.C. = - 77 P.A.C. = - 78 P.A.C. = - 79 P.A.C. = - 80 P.A.C. = - 81 P.A.C. = - 82 P.A.C. = - 83 P.A.C. = - 84 P.A.C. = - 85 P.A.C. = - 86 P.A.C. = - 87 P.A.C. = - 88 P.A.C. = - 89 P.A.C. = - 90 P.A.C. = - 91 P.A.C. = - 92 P.A.C. = - 93 P.A.C. = - 94 P.A.C. = - 95 P.A.C. = - 96 P.A.C. = - 97 P.A.C. = - 98 P.A.C. = - 99 P.A.C. = - 100 P.A.C. = -	DESIGNER: J. MCMASTER DATE: 08/20/04 CHECKED: J. EDWARDS DATE: 08/20/04 DRAWN: M. WILMSLEY DATE: 08/20/04 PRODUCT SPEC: 108-2047 APPROVAL SPEC: 114-2086 WEIGHT: - MATERIAL: - FINISH: - SCALE: A1 CASE CODE: 00779 DRAWING NO: 520527 RESTRICTED TO: - CUSTOMER DRAWING: - SCALE: 10:1 SHEET: 1 of 1 REV: U
---	--

TYCO Electronics Corporation  
 Harrisburg, Pa 17109-3608  
 PLUG ASSEMBLY, FLAT CABLE,  
 36 SERIES, SDL