



Chipsmall Limited consists of a professional team with an average of over 10 year of expertise in the distribution of electronic components. Based in Hongkong, we have already established firm and mutual-benefit business relationships with customers from,Europe,America and south Asia,supplying obsolete and hard-to-find components to meet their specific needs.

With the principle of “Quality Parts,Customers Priority,Honest Operation,and Considerate Service”,our business mainly focus on the distribution of electronic components. Line cards we deal with include Microchip,ALPS,ROHM,Xilinx,Pulse,ON,Everlight and Freescale. Main products comprise IC,Modules,Potentiometer,IC Socket,Relay,Connector.Our parts cover such applications as commercial,industrial, and automotives areas.

We are looking forward to setting up business relationship with you and hope to provide you with the best service and solution. Let us make a better world for our industry!



Contact us

Tel: +86-755-8981 8866 Fax: +86-755-8427 6832

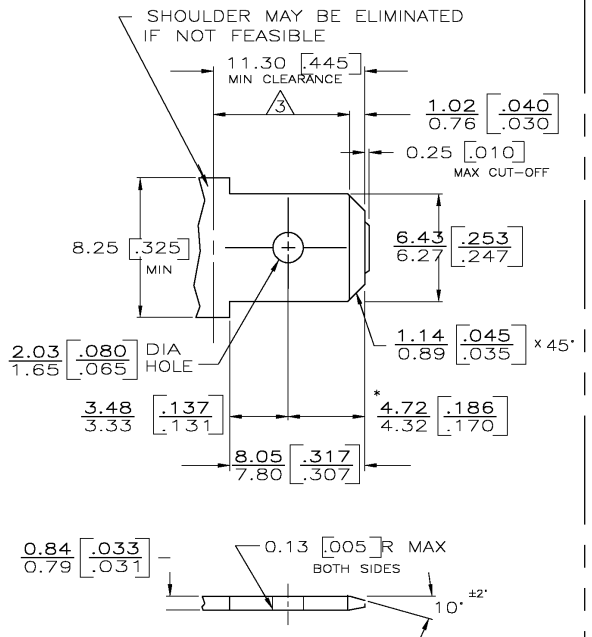
Email & Skype: info@chipsmall.com Web: www.chipsmall.com

Address: A1208, Overseas Decoration Building, #122 Zhenhua RD., Futian, Shenzhen, China

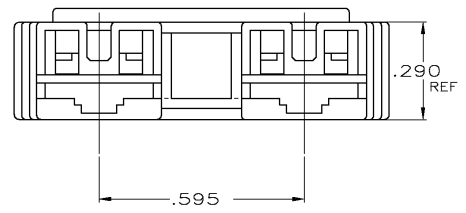
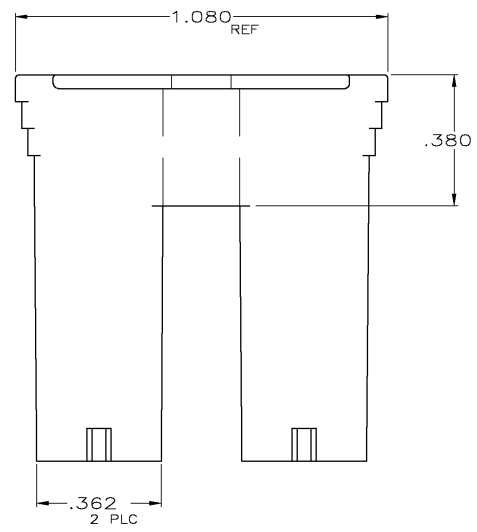
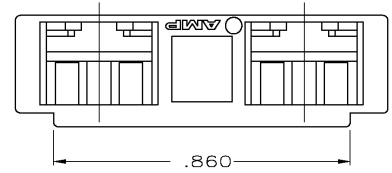


LOC	DISP	REVISONS				
AF	50	P	LR	DATE	DWN	APVD
		M		REV PER 0G3A-0753-03	08DEC03	JR KY

SUGGESTED MATING TAB

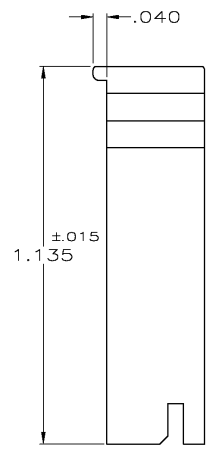


- 1 - MATL: 1/2H BRASS OR NICKEL PL STEEL.
 - 2 - NO BURRS PERMISSIBLE AT HOLE.
 - 3 - MUST BE FLAT WITHIN 0.076 [0.003] OVER THIS LENGTH.
 - 4 - TIN PLATING IS REQUIRED ON BRASS WHEN TERMINAL TEMP. IS OVER 225° F.
 - 5 - HOLE MUST BE SYMMETRICAL ABOUT TAB Q̄ WITHIN 0.076 [0.003]
- * TO BE USED ONLY WHEN SHOULDER IS ELIMINATED.



1 FOR USE WITH MKII POSITIVE LOCK, LOW INSERTION FORCE FASTON RECEPTACLES AND MOST BUDGET FASTON RECEPTACLES.

2 PRELIMINARY - NOT FOR PRODUCTION



VO BLACK	1-520935-8
VO YELLOW	1-520935-6
VO BLUE	1-520935-5
VO RED	1-520935-2
VO NATURAL	1-520935-1
BLACK	520935-8
BROWN	520935-7
YELLOW	520935-6
BLUE	520935-5
GREEN	520935-4
WEATHER RESIST BLACK	520935-3
RED	520935-2
NATURAL	520935-1
COLOR	PART NO

THIS DRAWING IS A CONTROLLED DOCUMENT.		DWN	JR RUTH	4/14/88		Tyco Electronics Corporation	
DIMENSIONS: INCHES		CHK	M FEHER	4/14/88		Harrisburg, PA 17105	
TOLERANCES UNLESS OTHERWISE SPECIFIED:		APVD	R KUZO	4/14/88	NAME		
0 PLC ± -		PRODUCT SPEC		HOUSING, RECP, POSITIVE-LOCK & STANDARD FASTON, .250 SERIES, MKII			
1 PLC ± -		APPLICATION SPEC		SIZE			
2 PLC ± -		WEIGHT		A2			
3 PLC ± .010		CUSTOMER DRAWING		00779			
4 PLC ± -		SCALE		4:1			
ANGLES ± -		SHEET		1 OF 1			
MATERIAL 6/6 NYLON		FINISH SEE TABLE		REV M			

520935

A