



Chipsmall Limited consists of a professional team with an average of over 10 year of expertise in the distribution of electronic components. Based in Hongkong, we have already established firm and mutual-benefit business relationships with customers from,Europe,America and south Asia,supplying obsolete and hard-to-find components to meet their specific needs.

With the principle of “Quality Parts,Customers Priority,Honest Operation,and Considerate Service”,our business mainly focus on the distribution of electronic components. Line cards we deal with include Microchip,ALPS,ROHM,Xilinx,Pulse,ON,Everlight and Freescale. Main products comprise IC,Modules,Potentiometer,IC Socket,Relay,Connector.Our parts cover such applications as commercial,industrial, and automotives areas.

We are looking forward to setting up business relationship with you and hope to provide you with the best service and solution. Let us make a better world for our industry!



## Contact us

Tel: +86-755-8981 8866 Fax: +86-755-8427 6832

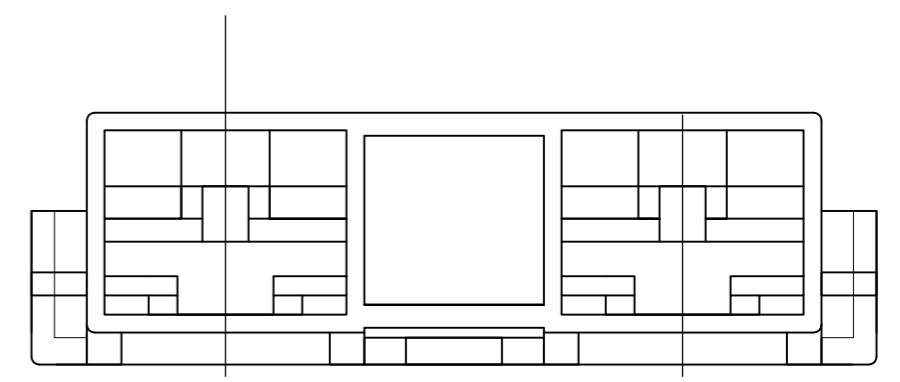
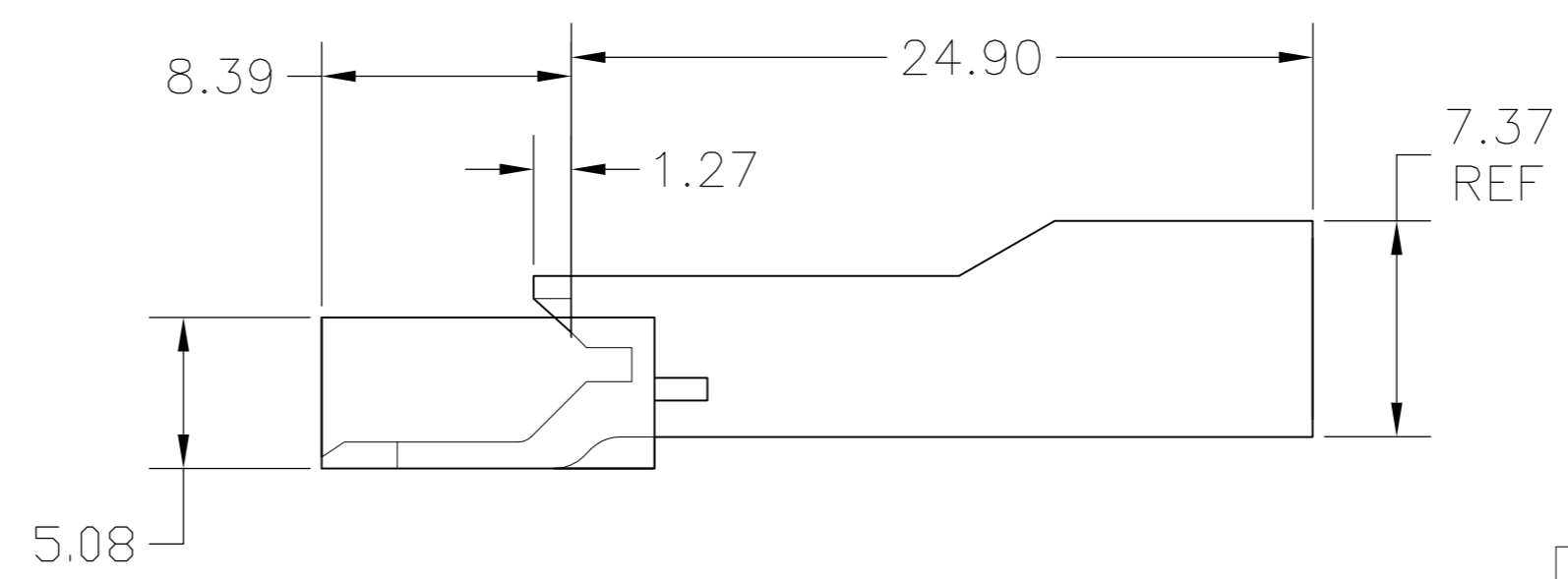
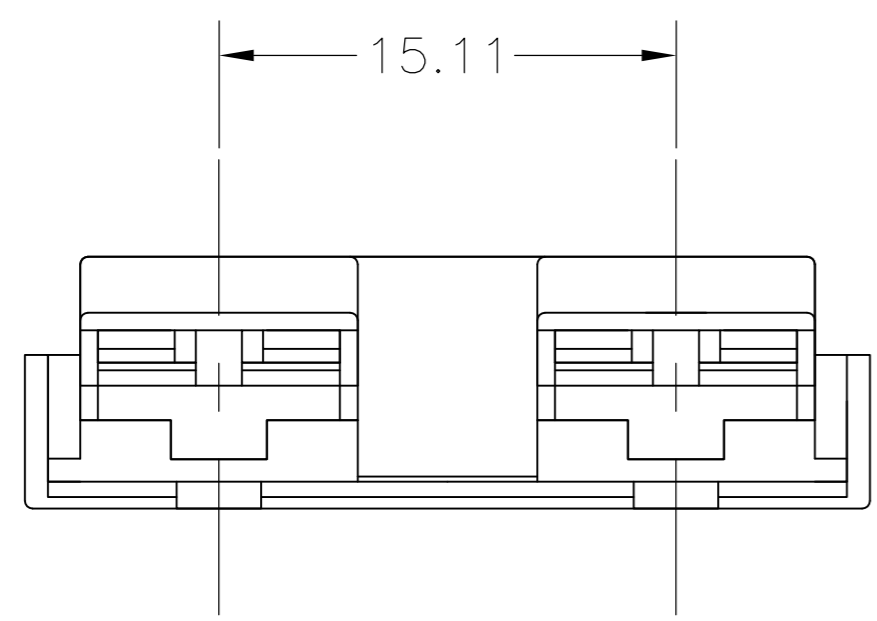
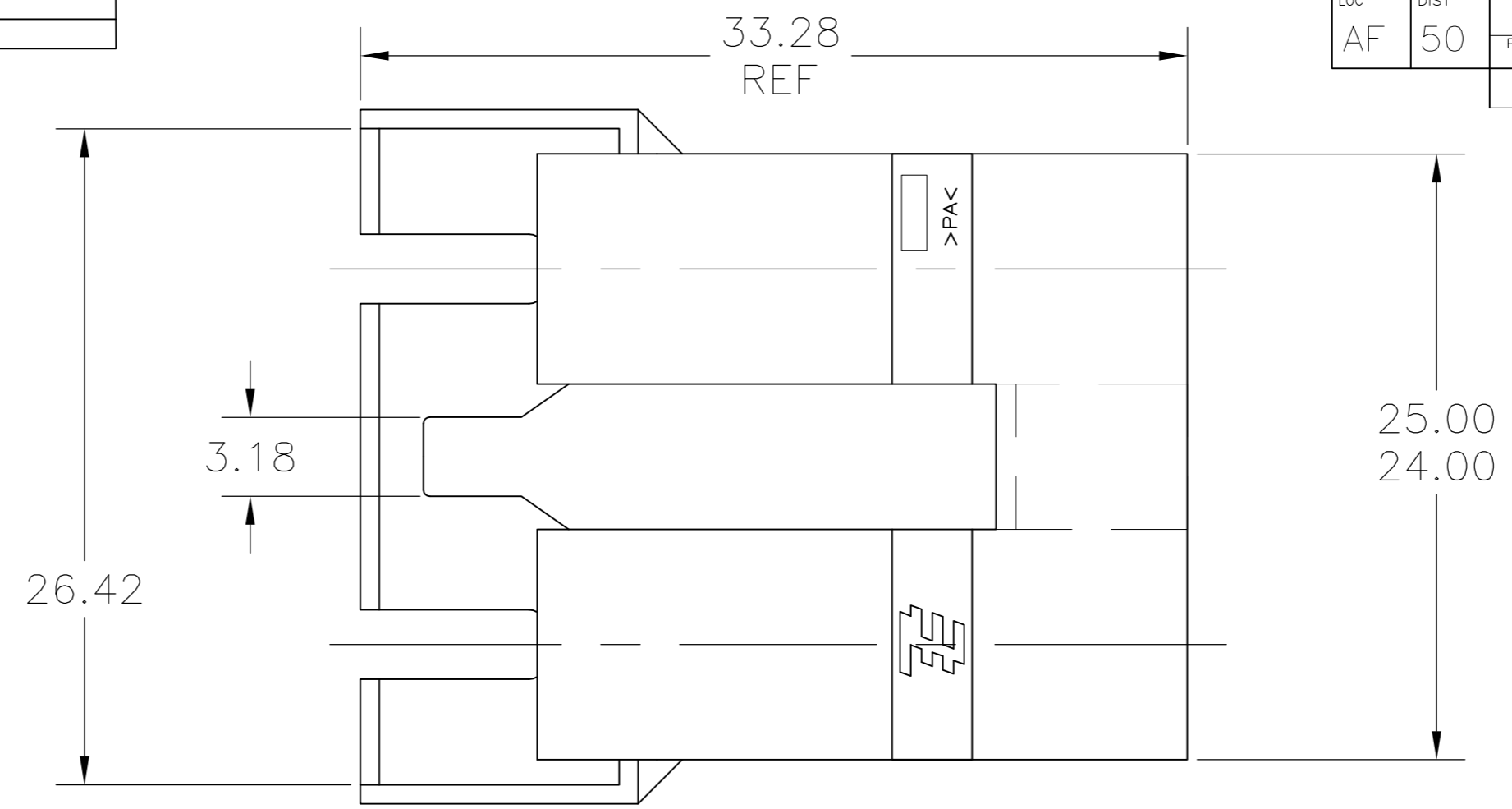
Email & Skype: info@chipsmall.com Web: www.chipsmall.com

Address: A1208, Overseas Decoration Building, #122 Zhenhua RD., Futian, Shenzhen, China

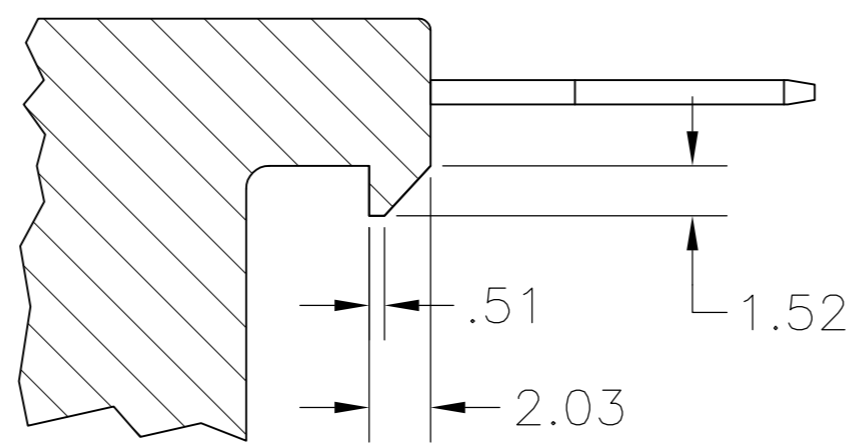


THIS DRAWING IS UNPUBLISHED. RELEASED FOR PUBLICATION  
 © COPYRIGHT BY TYCO ELECTRONICS CORPORATION. ALL RIGHTS RESERVED.

LOC		DIST		REVISIONS					
AF		50		P	LTR	DESCRIPTION	DATE	DWN	APVD
				T3		REVISED PER ECR-10-020821	20OCT10	JR	RL



- 1 THIS HOUSING ACCEPTS LOW-INSERTION, PREMIER RECEPTACLE 63306, OR POSITIVE-LOCK MKIII RECEPTACLE 63854-1.
- 2 TO MAINTAIN PROPER TERMINAL INSERTION FORCE INTO HOUSING, HOUSINGS MUST BE KEPT IN THEIR MOISTURIZED CONDITION (AS RECEIVED) PRIOR TO ASSEMBLY.
- 3 MOLDED WITH GLOW-WIRE APPROVED MATERIAL
- 4 PRELIMINARY - NOT FOR PRODUCTION
- 5 OFFERED FOR CONSIDERATION IN APPLICATIONS REQUIRING 'NON-DRIP' HOUSING MATERIAL.



PROPOSED MATING LOCKING DESIGN

6/6 NYLON, V0	PURPLE	4	3-521253-6	5
6 NYLON, V2	NATURAL	3	2-521253-1	
66/6 NYLON V0	BLUE		1-521253-7	
	PURPLE		1-521253-6	
	YELLOW		1-521253-4	
	GREEN		1-521253-3	
	RED		1-521253-2	
	NATURAL		1-521253-1	
6/6 NYLON V2	BLUE	4	521253-7	
	PURPLE	4	521253-6	
	BROWN	4	521253-5	
	YELLOW	4	521253-4	
	GREEN	4	521253-3	
	RED		521253-2	
NATURAL		521253-1		
MATERIAL	FINISH/COLOR		PART NO	

THIS DRAWING IS A CONTROLLED DOCUMENT.		DWN	JR RUTH	05JAN00	Tyco Electronics Corporation Harrisburg, PA 17105-3608																		
DIMENSIONS: mm		CHK	MS FEHER	05JAN00																			
TOLERANCES UNLESS OTHERWISE SPECIFIED:		APVD	D BRATINA	05JAN00																			
<table border="1"> <tr><td>0 PLC</td><td>±</td><td>-</td></tr> <tr><td>1 PLC</td><td>±</td><td>-</td></tr> <tr><td>2 PLC</td><td>±</td><td>0.25 [.010]</td></tr> <tr><td>3 PLC</td><td>±</td><td>-</td></tr> <tr><td>4 PLC</td><td>±</td><td>-</td></tr> <tr><td>ANGLES</td><td>±</td><td>-</td></tr> </table>		0 PLC	±	-		1 PLC	±	-	2 PLC	±	0.25 [.010]	3 PLC	±	-	4 PLC	±	-	ANGLES	±	-	PRODUCT SPEC	-	NAME
0 PLC	±	-																					
1 PLC	±	-																					
2 PLC	±	0.25 [.010]																					
3 PLC	±	-																					
4 PLC	±	-																					
ANGLES	±	-																					
MATERIAL	SEE TABLE	FINISH	-	APPLICATION SPEC	-																		
WEIGHT		-		SIZE	A2																		
CUSTOMER DRAWING		SCALE	4:1	CAGE CODE	00779																		
DRAWING NO		C=521253		DRAWING NO	521253																		
RESTRICTED TO		-		SHEET	1 OF 1																		
REV		T3		REV	T3																		