



Chipsmall Limited consists of a professional team with an average of over 10 year of expertise in the distribution of electronic components. Based in Hongkong, we have already established firm and mutual-benefit business relationships with customers from,Europe,America and south Asia,supplying obsolete and hard-to-find components to meet their specific needs.

With the principle of “Quality Parts,Customers Priority,Honest Operation,and Considerate Service”,our business mainly focus on the distribution of electronic components. Line cards we deal with include Microchip,ALPS,ROHM,Xilinx,Pulse,ON,Everlight and Freescale. Main products comprise IC,Modules,Potentiometer,IC Socket,Relay,Connector.Our parts cover such applications as commercial,industrial, and automotives areas.

We are looking forward to setting up business relationship with you and hope to provide you with the best service and solution. Let us make a better world for our industry!



Contact us

Tel: +86-755-8981 8866 Fax: +86-755-8427 6832

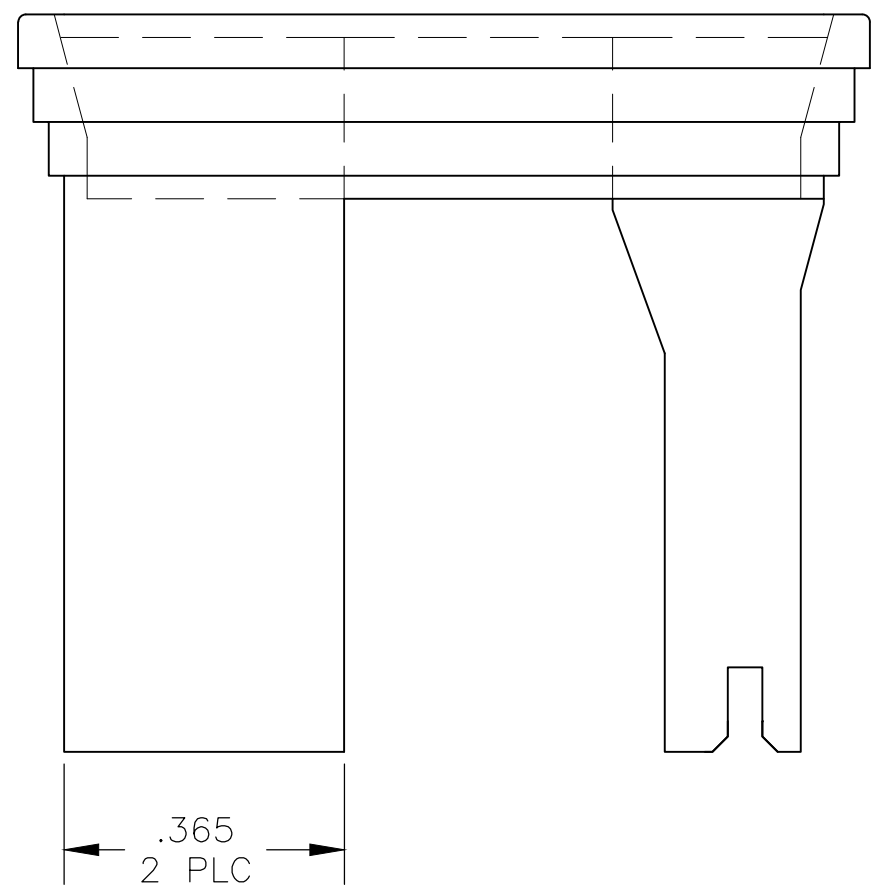
Email & Skype: info@chipsmall.com Web: www.chipsmall.com

Address: A1208, Overseas Decoration Building, #122 Zhenhua RD., Futian, Shenzhen, China

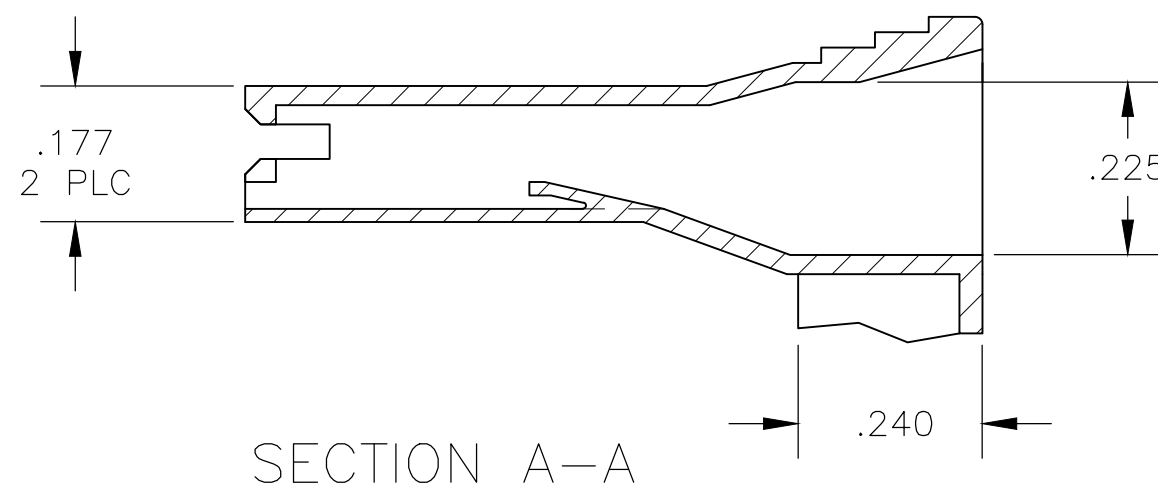
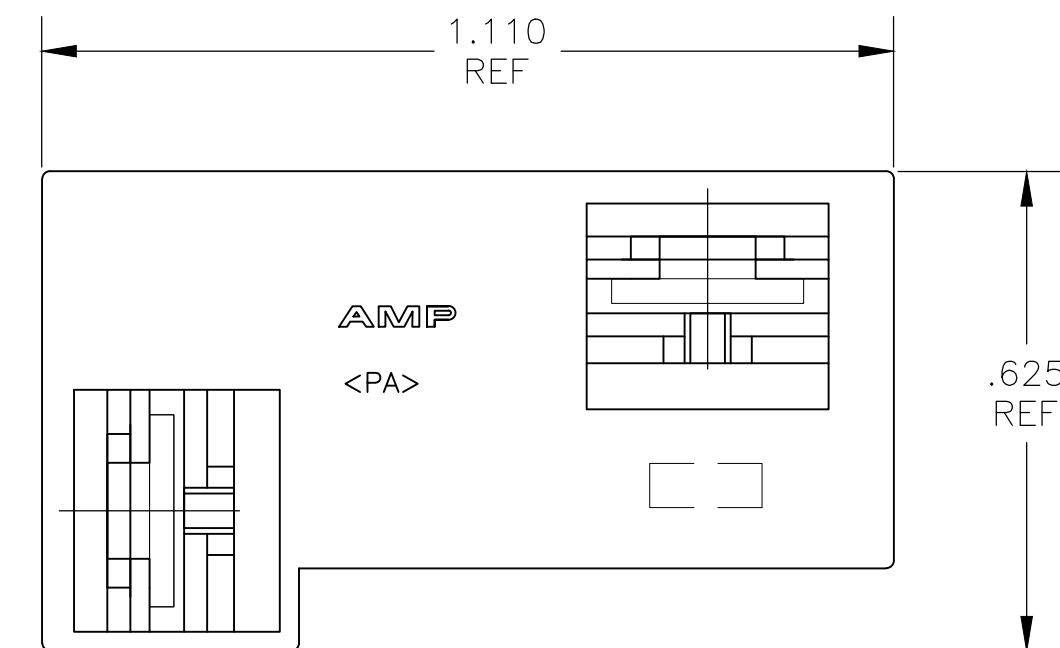
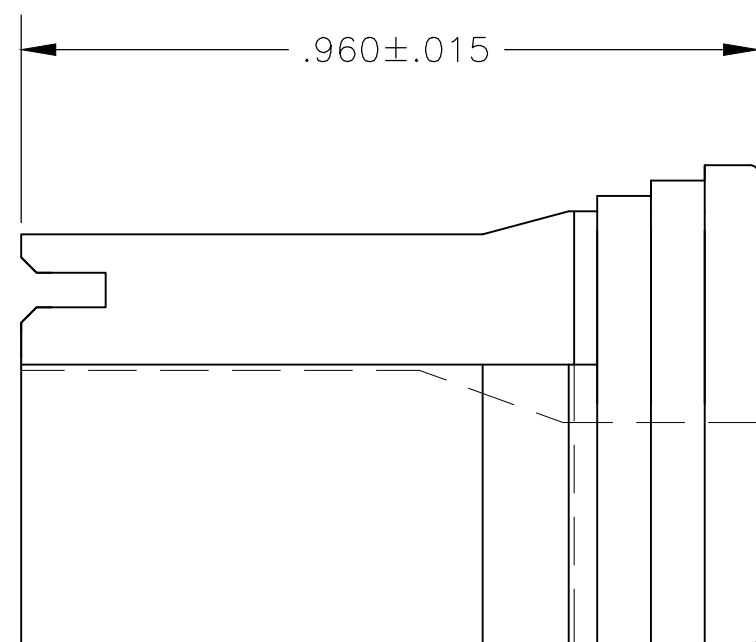
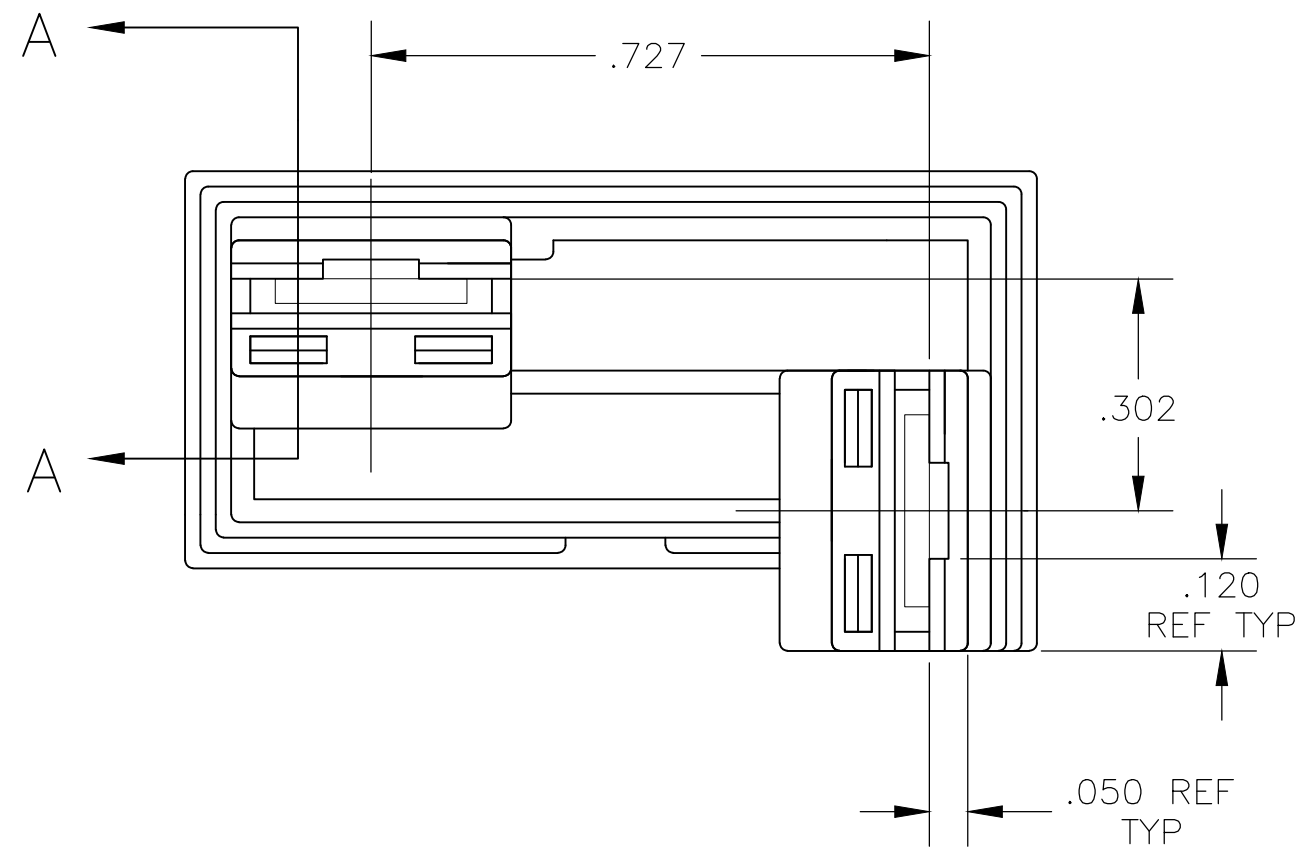


THIS DRAWING IS UNPUBLISHED. RELEASED FOR PUBLICATION
 © COPYRIGHT - By - ALL RIGHTS RESERVED.

REVISIONS					
P	LTR	DESCRIPTION	DATE	DWN	APVD
D		REVISED PER ECR-18-006282	25MAY2018	BDA	DS



- 1 ACCEPTS .250 SERIES FASTON RECEPTACLE 63435-1 OR 63306-1.
- 2 FOR PROPER MATING, THE MATING TAB MUST BE A MIN. OF .375 LONG.
- 3 MATING TAB CENTERLINES MUST BE VERIFIED BY CUSTOMER.
- △ 4 MATERIAL: POLYIMIDE UL94, V2. ACCORDING TO IEC 60355-1, GLOW WIRE.
- △ 5 PRELIMINARY - NOT FOR PRODUCTION.
- △ 6 PA6, UL94 V0 AND HIGH TEMPERATURE VERSION 150C
- △ 7 OBSOLETE PARTS



NATURAL	66 NYLON V0 NATURAL	1-521785-1
BLACK	6 NYLON, V0	521785-4
NATURAL	△ 6	521785-3
NATURAL	△ 4	△ 5 521785-2
△ 7 SUPERSEDED	NATURAL	66 NYLON, V0
	COLOR	MATERIAL
		PART NO

THIS DRAWING IS A CONTROLLED DOCUMENT.		DWN jr ruth 09FEB05	TE Connectivity Ltd.	
DIMENSIONS: INCHES		CHK P DESANTIS 09FEB05	NAME HOUSING, RECEPTACLE, FASTON, 2 POSITION, .250 SERIES	
TOLERANCES UNLESS OTHERWISE SPECIFIED: 0 PLC ± - 1 PLC ± - 2 PLC ± - 3 PLC ± .010 4 PLC ± - ANGLES ± 5°		APVD P DESANTIS 09FEB05	DRAWING NO A2 00779 C-521785	
MATERIAL SEE TABLE		FINISH COLOR - SEE TABLE	WEIGHT	RESTRICTED TO
		SCALE 4:1	SHEET 1 of 1	REV D