



Chipsmall Limited consists of a professional team with an average of over 10 year of expertise in the distribution of electronic components. Based in Hongkong, we have already established firm and mutual-benefit business relationships with customers from,Europe,America and south Asia,supplying obsolete and hard-to-find components to meet their specific needs.

With the principle of “Quality Parts,Customers Priority,Honest Operation,and Considerate Service”,our business mainly focus on the distribution of electronic components. Line cards we deal with include Microchip,ALPS,ROHM,Xilinx,Pulse,ON,Everlight and Freescale. Main products comprise IC,Modules,Potentiometer,IC Socket,Relay,Connector.Our parts cover such applications as commercial,industrial, and automotives areas.

We are looking forward to setting up business relationship with you and hope to provide you with the best service and solution. Let us make a better world for our industry!



Contact us

Tel: +86-755-8981 8866 Fax: +86-755-8427 6832

Email & Skype: info@chipsmall.com Web: www.chipsmall.com

Address: A1208, Overseas Decoration Building, #122 Zhenhua RD., Futian, Shenzhen, China



- ⚠ CABLE USED WITHOUT SPACER
- ⚠ CABLE USED WITH SPACER
- 3. SEE INSTRUCTION SHEET 408-9021
- 4. PARTS PACKAGED UNASSEMBLED
- ⚠ USE WITH PRO-CRIMPER 354940-1.
- ⚠ SPECIAL PACKAGING: INDIVIDUALLY PACKAGED IN PRE-PRINTED BAG WITH SPECIAL GRAPHICS
- ⚠ BULK KIT PACKAGING 25 PIECES
- ⚠ BULK KIT PACKAGING 100 PIECES
- ⚠ OBSOLETE PARTS: OBSOLETE CIS STREAMLINING PER D.RENAUD/D.SINISI

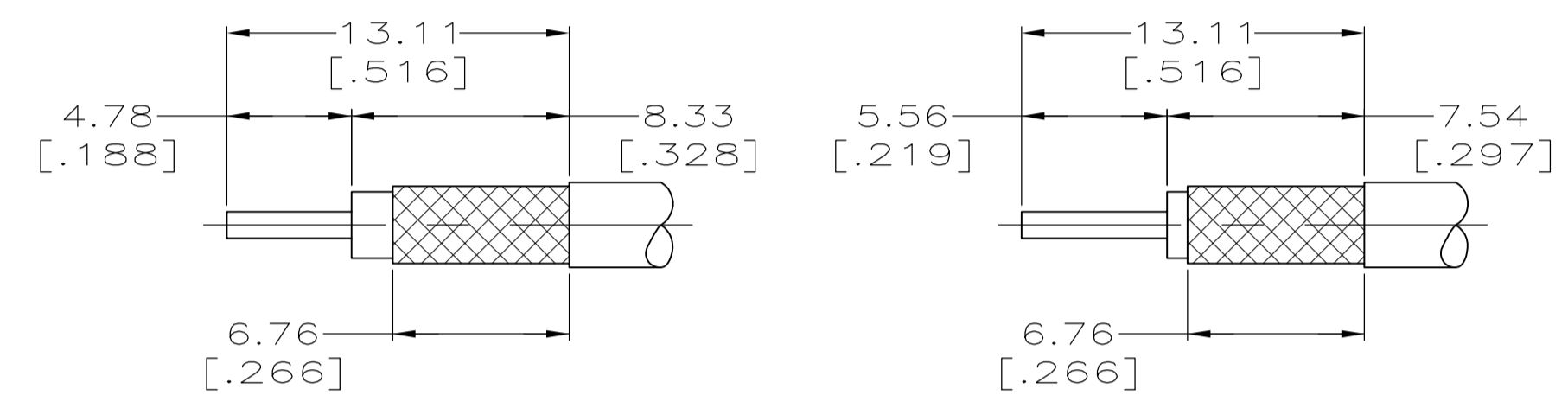
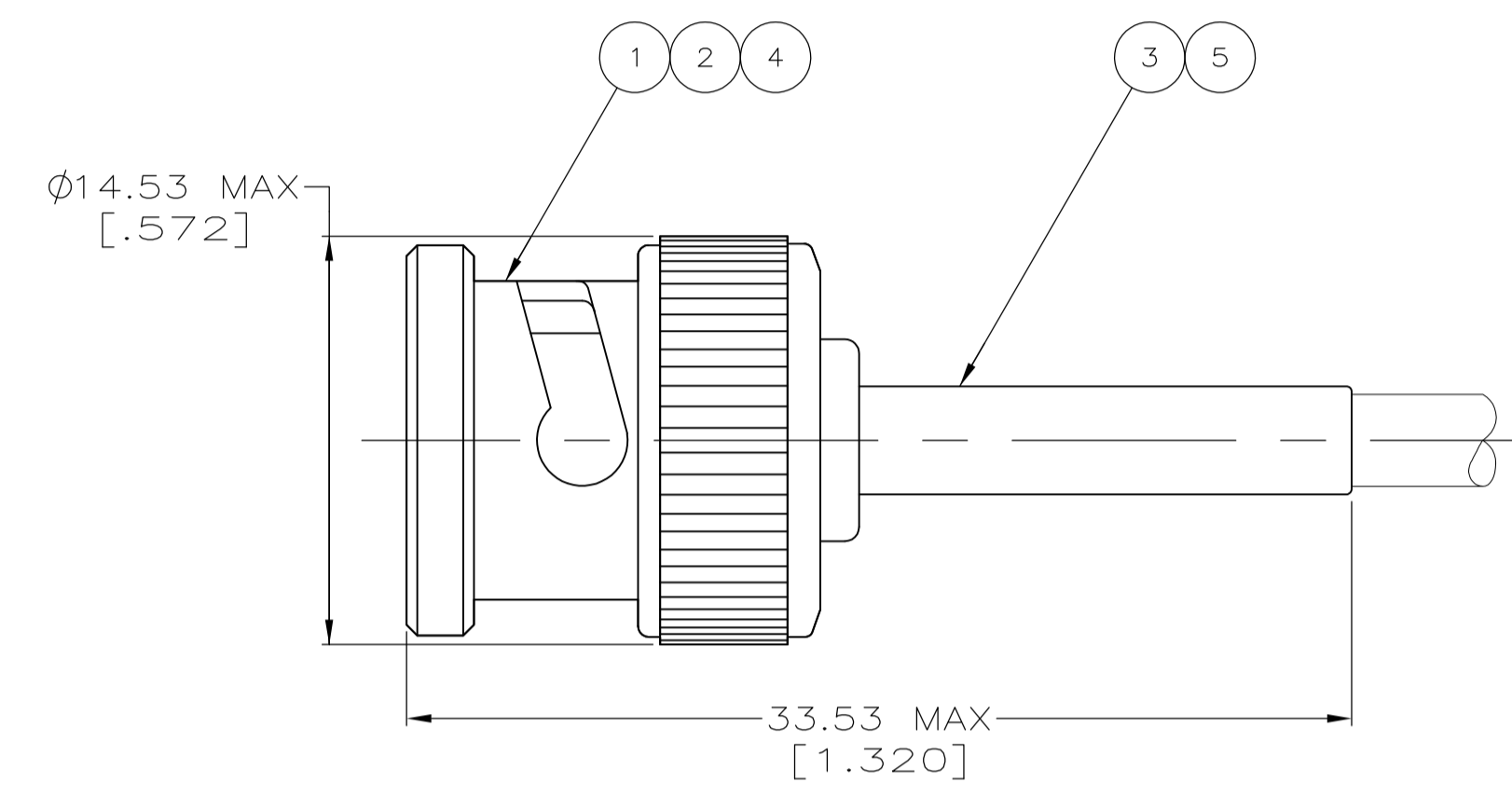


FIGURE 1
FIGURE 2
RECOMMENDED STRIP LENGTH

⚠ OBSOLETE	JIS CABLE 3D-2V	⚠	5.41 [.213]	1.73 [.068]	58436-1	FIG 1	-	-	8-221132-9	1-222246-6	9-413636-3	3-5221128-1
	BELDEN 9907, 89907 & RG-141/U	⚠	5.41 [.213]	1.73 [.068]	58436-1	FIG 1	-	-	9-221132-0	1-222246-6	9-413636-0	2-5221128-7
	RG-179/U, 187/U	⚠	4.52 [.178]	1.73 [.068]	58436-3	FIG 1	227194-1	-	9-413658-0	1-222246-3	9-413636-2	2-5221128-3
	RG-174/U, 188/U, 316/U	⚠	4.52 [.178]	1.73 [.068]	58436-3	FIG 1	227194-1	-	9-413658-0	1-222246-0	9-413636-2	2-5221128-1
	RG-59/U, 59A/U, 59B/U	⚠	6.48 [.255]	1.73 [.068]	58436-1	FIG 1	-	227423-1	9-221132-1	222246-6	9-413636-1	4-5221128-8
	BELDEN 9266	⚠	6.48 [.255]	1.73 [.068]	58436-1	FIG 1	-	-	9-221132-1	222246-2	9-413636-1	1-5221128-7
	RG-62/U, 62A/U, 62B/U	⚠	6.48 [.255]	1.73 [.068]	58436-1	FIG 2	-	227423-1	9-221132-1	222246-4	9-413636-1	1-5221128-1
	RG-59/U, 59A/U, 59B/U	⚠	6.48 [.255]	1.73 [.068]		FIG 1	-	-	-	-	-	-
	RG-58/U, 58A/U, 58B/U, 58C/U	⚠	5.41 [.213]	1.73 [.068]	58436-1	FIG 1	-	-	9-221132-0	222246-2	9-413636-0	1-5221128-0
	RG-62/U, 62A/U, 62B/U	⚠	6.48 [.255]	1.73 [.068]	58436-1	FIG 2	-	227423-1	9-221132-1	222246-4	9-413636-1	5221128-2
	RG-59/U, 59A/U, 59B/U	⚠	6.48 [.255]	1.73 [.068]		FIG 1	-	-	-	-	-	-
	RG-58/U, 58A/U, 58B/U, 58C/U	⚠	5.41 [.213]	1.73 [.068]	58436-1	FIG 1	-	-	9-221132-0	222246-2	9-413636-0	5221128-1
	FOR USE WITH CABLE	PACKAGING	FERRULE CONTACT HEX CRIMP HEIGHTS		DIE SET	STRIP LENGTH	TUBING QTY=1	SPACER QTY=1	FERRULE QTY=1	CONTACT, PLUG QTY=1	PLUG ASSEMBLY QTY=1	PART NUMBER

THIS DRAWING IS A CONTROLLED DOCUMENT.

DIMENSIONS: mm [INCHES]	TOLERANCES UNLESS OTHERWISE SPECIFIED:	DIN J. ALCORTA - DOCK 5	21APR2005
0 PLC ± -	1 PLC ± -	2 PLC ± 0.41 [016]	3 PLC ± -
4 PLC ± -	ANGLES ± -	APVD J. LIPPERT	21APR2005

STE TE Connectivity

PLUG, COMMERCIAL BNC

SIZE: A1 00779 C=5221128

CUSTOMER DRAWING SCALE: 4:1 SHEET: 1 OF 1 REV: A3