



Chipsmall Limited consists of a professional team with an average of over 10 year of expertise in the distribution of electronic components. Based in Hongkong, we have already established firm and mutual-benefit business relationships with customers from,Europe,America and south Asia,supplying obsolete and hard-to-find components to meet their specific needs.

With the principle of “Quality Parts,Customers Priority,Honest Operation,and Considerate Service”,our business mainly focus on the distribution of electronic components. Line cards we deal with include Microchip,ALPS,ROHM,Xilinx,Pulse,ON,Everlight and Freescale. Main products comprise IC,Modules,Potentiometer,IC Socket,Relay,Connector.Our parts cover such applications as commercial,industrial, and automotives areas.

We are looking forward to setting up business relationship with you and hope to provide you with the best service and solution. Let us make a better world for our industry!



Contact us

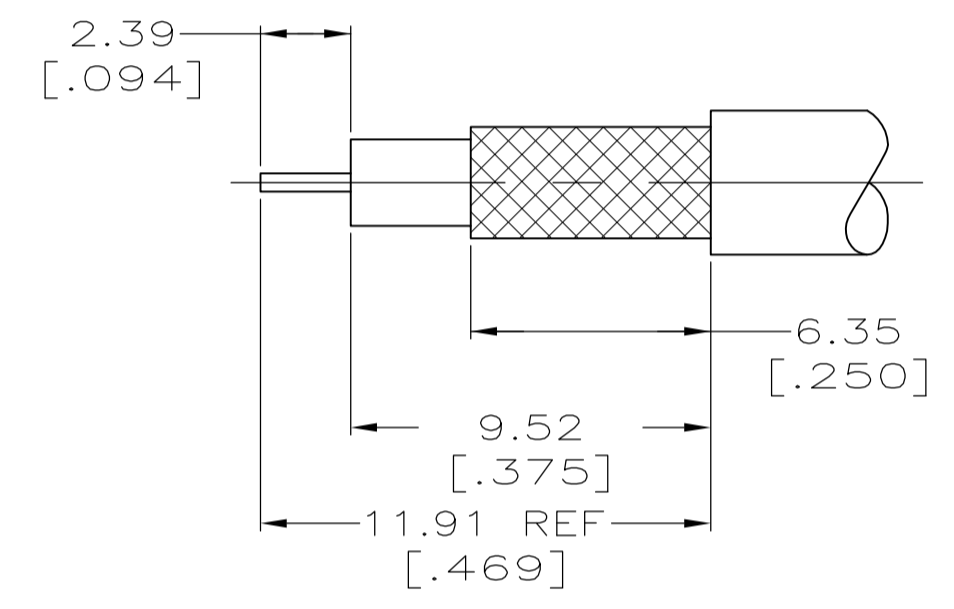
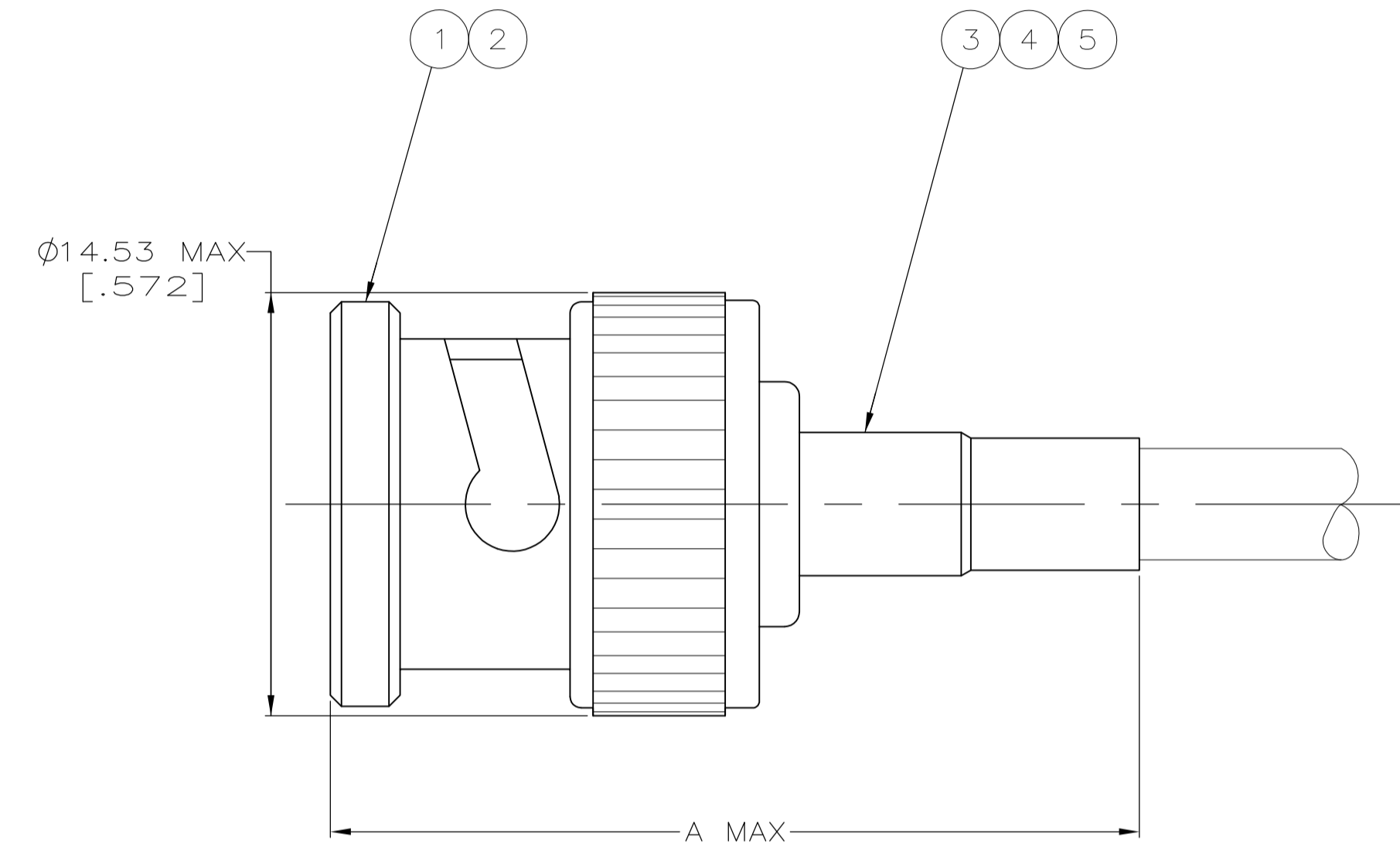
Tel: +86-755-8981 8866 Fax: +86-755-8427 6832

Email & Skype: info@chipsmall.com Web: www.chipsmall.com

Address: A1208, Overseas Decoration Building, #122 Zhenhua RD., Futian, Shenzhen, China



1. USE INSTRUCTION SHEET 408-9088.
 2. USE WITH PRO CRIMPER 354940-1.



RECOMMENDED STRIP LENGTH

C&M 17189	28.96	[1.140]	.044	.104/.170	318451-2	414932-2	-	9-328666-0	1-221182-6	9-221184-2	3-5221185-4					
COMSCOPE F59 HEC-2	28.96	[1.140]	.044	.265	58536-1	-	-	9-50427-0	1-221182-0	9-221184-1	3-5221185-1					
COMM/SCOPE S59HEC	28.96	[1.140]	.044	.265	58536-1	-	-	9-50427-0	221182-2	9-221184-5	2-5221185-9					
BELDEN 8281, 9231	31.75	[1.250]	.044	.330	58538-1	-	-	9-50427-2	1-221182-0	9-221184-3	2-5221185-6					
MONTROSE CBL8196	28.96	[1.140]	.044	.170	58174-1	-	-	9-329461-2	221182-2	9-221184-2	2-5221185-3					
AT&T 735A	28.96	[1.140]	.044	.170	58174-1	-	-	9-328666-2	221182-6	9-221184-2	1-5221185-8					
BELDEN 1164A, 1167A	28.45	[1.120]	.044	.170	58174-1	-	-	9-329461-0	1-221182-6	9-221184-2	1-5221185-5					
BELDEN 9145	27.69	[1.090]	.044	.240	58536-1	-	-	9-50428-1	1-221182-0	9-221184-1	1-5221185-0					
RG-59 TYPE,C,C=.031 DIA,CAROL COLUMBIA,C1103	27.69	[1.090]	.044	.240	58536-1	-	-	9-50428-0	1-221182-0	9-221184-1	5221185-9					
RG-179/U,179A/U,179B/U,187/U,187A/U	28.96	[1.140]	.044	.104/.170	318451-2	227194-2	222001-4	9-328666-0	1-221182-2	9-221184-2	5221185-8					
RG-6/U,6A/U	37.85	[1.490]	.044	.330	58538-1	-	-	9-51713-1	1-221182-0	9-221184-4	5221185-7					
BELDEN 8281, 8281F, 9231 AND GEPCO VP6000	31.75	[1.250]	.044	.330	58538-1	-	-	9-221132-2	1-221182-0	9-221184-3	5221185-5					
BELDEN 8218	28.45	[1.120]	.044	.170	58174-1	-	-	9-329461-0	221182-6	9-221184-2	5221185-3					
RG-59/U,59A/U,59B/U	27.69	[1.090]	.044	.240	58536-1	-	-	9-50428-0	221182-2	9-221184-1	5221185-2					
BELDEN 9248	27.69	[1.090]	.044	.265	58536-1	-	-	9-50427-0	221182-8	9-221184-0	5221185-1					
FOR USE WITH CABLE	A		CRIMP CONTACT (SQUARED)	CRIMP FERRULE (DIA)	DIE SET	5	PLASTIC TUBING QTY=1	4	TUBING QTY=1	3	FERRULE QTY=1	2	CONTACT QTY=1	1	PLUG ASSY QTY=1	PART NUMBER

THIS DRAWING IS A CONTROLLED DOCUMENT.

DIMENSIONS: mm [INCHES]	TOLERANCES UNLESS OTHERWISE SPECIFIED:	DIN J. ALCORTA - 21APR2005	DOCK 5
0 PLC ± -	1 PLC ± -	J. HAVENER	DOCK 5
2 PLC ± 0.41 [016]	3 PLC ± -	J. LIPPERT	21APR2005
4 PLC ± -	ANGLES ± -	NAME	PLUG, 75 OHM, COMMERCIAL BNC
MATERIAL	FINISH	SIZE	CAGE CODE
		A1	00779
		DRAWING NO	5221185
		WEIGHT	
		CUSTOMER DRAWING	SCALE 5:1 SHEET 1 OF 1 REV A1

STE TE Connectivity