



Chipsmall Limited consists of a professional team with an average of over 10 year of expertise in the distribution of electronic components. Based in Hongkong, we have already established firm and mutual-benefit business relationships with customers from,Europe,America and south Asia,supplying obsolete and hard-to-find components to meet their specific needs.

With the principle of “Quality Parts,Customers Priority,Honest Operation,and Considerate Service”,our business mainly focus on the distribution of electronic components. Line cards we deal with include Microchip,ALPS,ROHM,Xilinx,Pulse,ON,Everlight and Freescale. Main products comprise IC,Modules,Potentiometer,IC Socket,Relay,Connector.Our parts cover such applications as commercial,industrial, and automotives areas.

We are looking forward to setting up business relationship with you and hope to provide you with the best service and solution. Let us make a better world for our industry!



Contact us

Tel: +86-755-8981 8866 Fax: +86-755-8427 6832

Email & Skype: info@chipsmall.com Web: www.chipsmall.com

Address: A1208, Overseas Decoration Building, #122 Zhenhua RD., Futian, Shenzhen, China



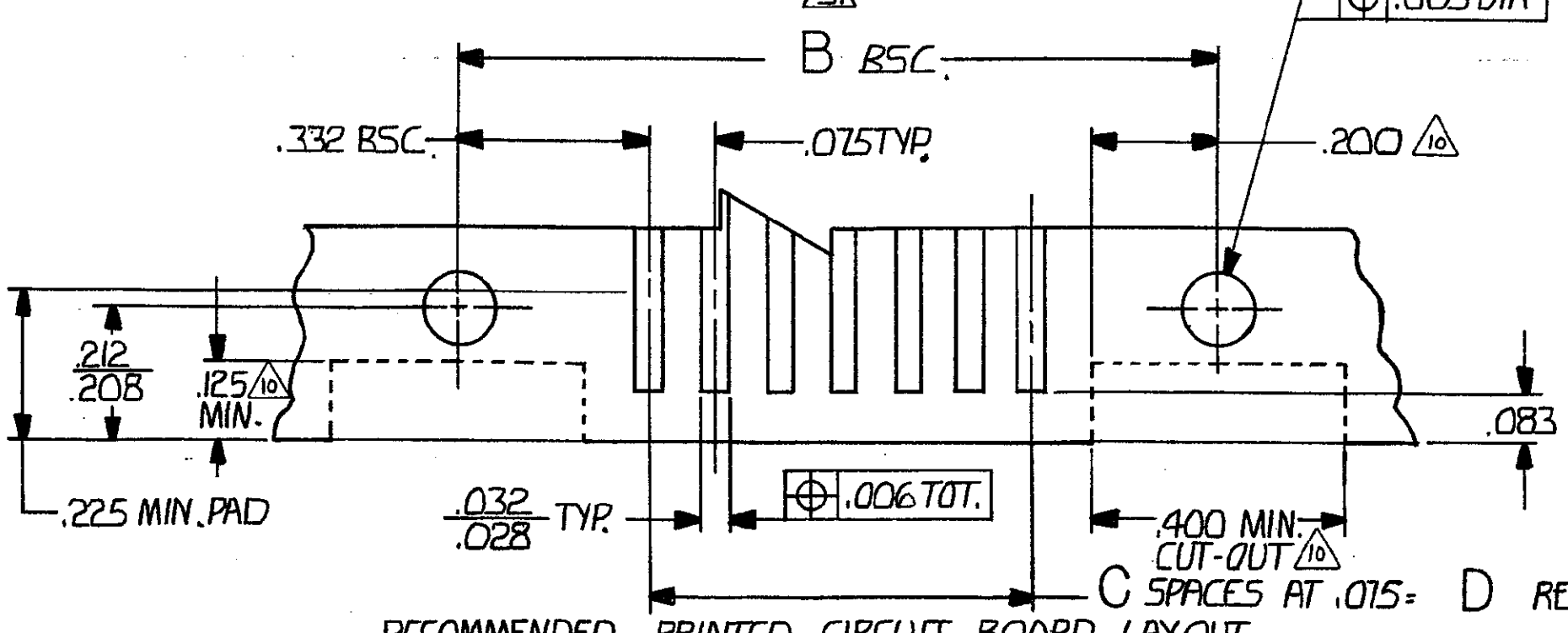
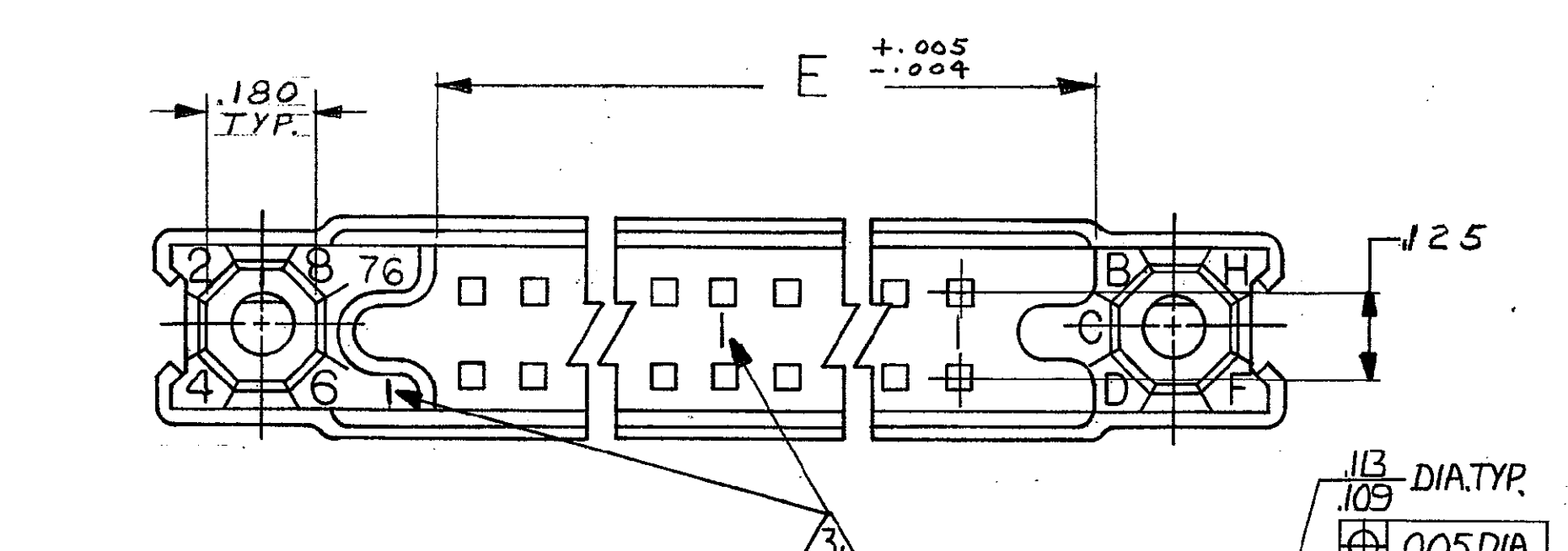
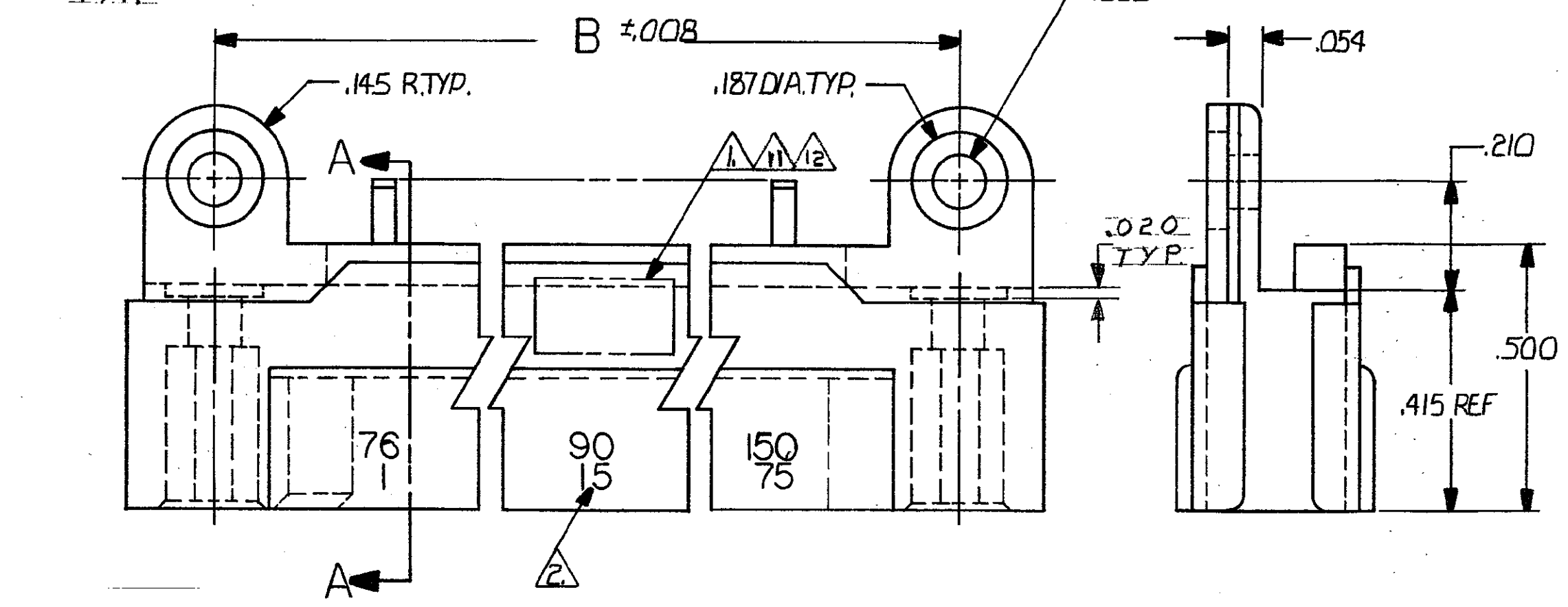
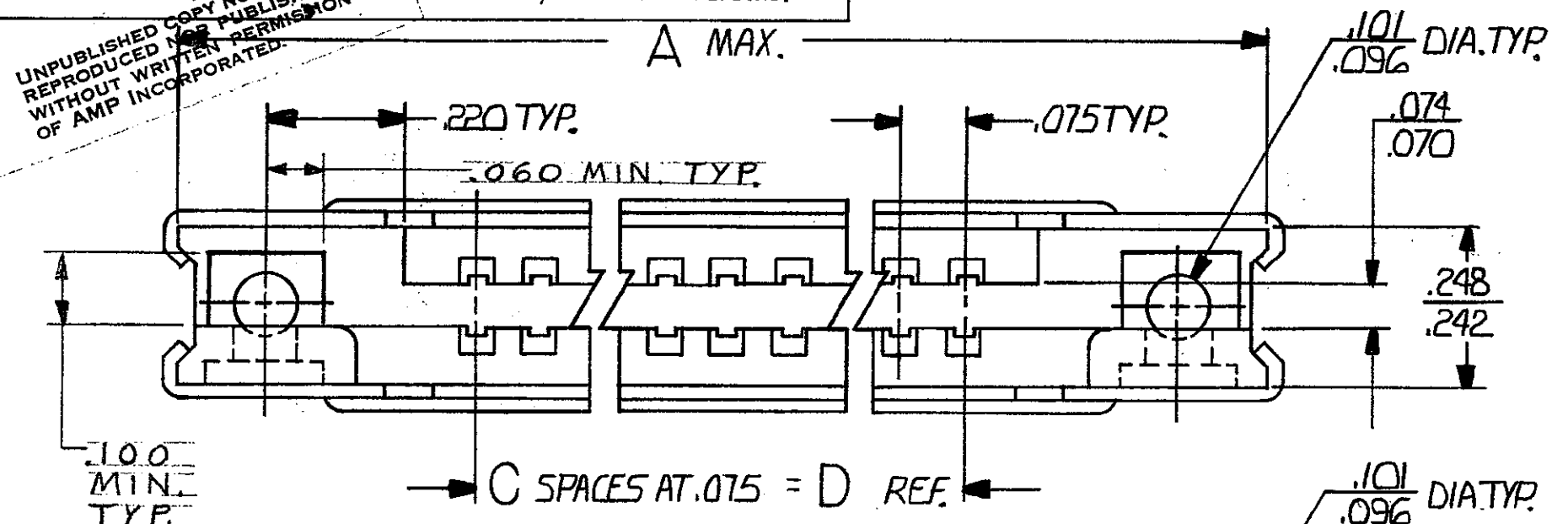
© COPYRIGHT 1977 BY AMP INCORPORATED, HARRISBURG, PA. ALL INTERNATIONAL RIGHTS RESERVED. AMP INCORPORATED PRODUCTS COVERED BY U.S. AND FOREIGN PATENTS AND/OR PATENTS PENDING.

UNPUBLISHED COPY NOT TO BE REPRODUCED OR TRANSMITTED IN ANY FORM OR BY ANY MEANS WITHOUT WRITTEN PERMISSION OF AMP INCORPORATED.

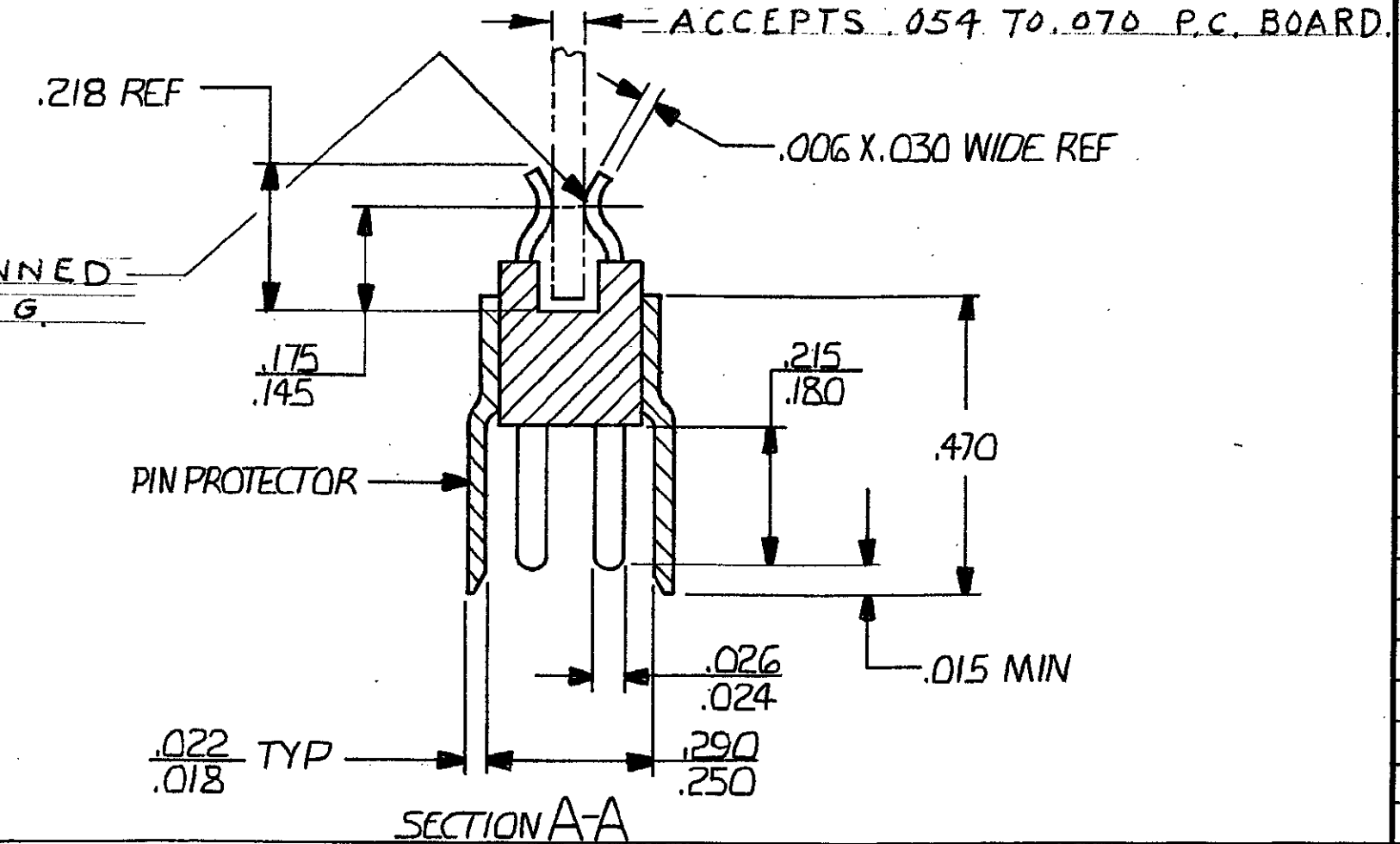
LOC. DF DIST. FO

REVISIONS

P	F	ZONE	LTR	DESCRIPTION	DATE	APPROVED
✓	✓	Q		RELEASED WAS 5087-908-2 RW	2-1-77	
✓	✓	O1		REVISED 5092 m.s.	3-1-77	
✓	✓	A		REVISED 5122 m.s.	3-77	
✓	✓	B		REVISED 6191 m.s.	8-79	RJ
✓	✓	B1		ADDED 1--7 6239 m.s.	9-10-79	RJ
✓	✓	C		REVISED 6341 m.s.	2-26-80	DP
✓	✓	C1		MIL. PIN'S ASSIGNED	4-80	DLK RJ
✓	✓	D		REVISED 6734 m.s.	6-80	RJ
✓	✓	D1		REVISED 6924 m.s.	10-80	RJ



- 1. CUSTOMER PART NO. 90133-1, ADDED TO STAMPING.
- 1. MILITARY PART NO. 00779, DATE CODE, MUST BE ON SAME SIDE OF PART. TE PART NO AND AMP CAN BE ON OTHER SIDE OF PART IF SPACE IS LIMITED
- 2. NUMBERS INDICATING EVERY 5 CAVITIES TO BE MARKED ON SIDE
- 3. NUMBERS, .062 HIGH, AND LINES INDICATING EVERY 5 CAVITIES MOLDED OR MARKED. SEE SHEET 20F2
- 4. MUST MEET ALL APPLICABLE REQUIREMENTS OF MIL-C-55302.
- 6. USES KEY 530341-1 AND RIVET 530347-1.
- 7. HOUSING MATERIAL: DIALYL PHTHALATE PER MIL-M-14 TYPE SDG-F COLOR: BLUE.
- 8. CONTACT MATERIAL: BRASS PER MIL-C-55302 PLATED .000050 GOLD. OVER .000050 NICKEL.
- 9. PIN PROTECTOR MATERIAL: ALUMINUM PER MIL-C-55302.
- 10. OPTIONAL CUT-OUT FOR KEYING AFTER CONNECTOR IS MOUNTED.
- 11. MARKING: AMP PART NUMBER AND DATE CODE MARKED THIS AREA.



TABS PRE-TINNED FOR SOLDERING

UNLESS OTHERWISE SPECIFIED DIMENSIONS ARE IN INCHES. TOLERANCES ON: DECIMALS ±.005 ANGLES ±		CONTRACT NO DR Robert Weber 1-10-77 CHK R. Williams 2-3-77 APPD R. Williams 2-3-77 APPD R. Shouman 2-3-77		PART NO	
MATERIAL 7 8 9		FINISH 8		NAME AMP INCORPORATED Harrisburg, Pa. BOX CONNECTOR, PIN HEADER, .075 GRID.	
SIZE		CODE	IDENT NO	DRAWING NO	
C		00779	530785	REV J	
SCALE 4-1		SHEET 10F 2			

© COPYRIGHT 1979 BY AMP INCORPORATED, HARRISBURG, PA. ALL INTERNATIONAL RIGHTS RESERVED. AMP INCORPORATED PRODUCTS COVERED BY U. S. AND FOREIGN PATENTS AND/OR PATENTS PENDING.

REVISIONS			
P	F	ZONE	LTR

SEE SHEET 1

M55302/23-24	46/1	▲	3.575	3.300	44	3.965	4.267	90	1-530785-7
M55302/23-16	6/1	▲	.575	.300	4	.965	1.267	10	1-530785-6
M55302/23-17	11/1	▲	.950	.675	9	1.340	1.642	20	1- -5
M55302/23-18	16/1		1.325	1.050	14	1.715	2.017	30	1- -4
M55302/23-19	21/1		1.700	1.425	19	2.090	2.392	40	1- -3
M55302/23-20	26/1		2.075	1.800	24	2.465	2.767	50	1- -2
M55302/23-21	31/1		2.450	2.175	29	2.840	3.142	60	1- -1
M55302/23-22	36/1		2.825	2.550	34	3.215	3.517	70	1- -0
M55302/23-23	41/1		3.200	2.925	39	3.590	3.892	80	-9
M55302/23-25	51/1		3.950	3.675	49	4.340	4.642	100	-8
M55302/23-26	56/1		4.325	4.050	54	4.715	5.017	110	-7
M55302/23-27	61/1		4.700	4.425	59	5.090	5.392	120	-6
M55302/23-29	81/1		6.200	5.925	79	6.590	6.892	160	-5
M55302/23-30	91/1		6.950	6.675	89	7.340	7.642	180	-4
	46/1	▲	3.575	3.300	44	3.965	4.267	90	-3
M55302/23-28	76/1	▲	5.825	5.550	74	6.215	6.517	150	-2
	76/1	▲	5.825	5.550	74	6.215	6.517	150	-530785-1

OBS

MIL-C-55302 PART NUMBER	CONTACT IDENT. NO.	NOTES	E	D	C	B	A	NO. OF CONTACTS	PART NO
		UNLESS OTHERWISE SPECIFIED DIMENSIONS ARE IN INCHES. TOLERANCES ON: DECIMALS ± ANGLES ±							
		MATERIAL	CONTRACT NO		AMP INCORPORATED Harrisburg, Pa.				
		FINISH	DR <i>M. Smiesz</i> 8-13-79		NAME BOX CONNECTOR, PIN HEADER, .075 GRID.				
			CHK <i>R. Dunbar</i> 8/21/79		SIZE CODE IDENT NO DRAWING NO				
			APPD <i>R. Dunbar</i> 8/21/79		CJ 00779 530785				
			APPD <i>R. Dunbar</i> 8/21/79		REV J				
			DSGN APPD		SCALE # SHEET 2 OF 2				
			OTHER APPD		CUSTOMER DRAWING				