



Chipsmall Limited consists of a professional team with an average of over 10 year of expertise in the distribution of electronic components. Based in Hongkong, we have already established firm and mutual-benefit business relationships with customers from,Europe,America and south Asia,supplying obsolete and hard-to-find components to meet their specific needs.

With the principle of “Quality Parts,Customers Priority,Honest Operation,and Considerate Service”,our business mainly focus on the distribution of electronic components. Line cards we deal with include Microchip,ALPS,ROHM,Xilinx,Pulse,ON,Everlight and Freescale. Main products comprise IC,Modules,Potentiometer,IC Socket,Relay,Connector.Our parts cover such applications as commercial,industrial, and automotives areas.

We are looking forward to setting up business relationship with you and hope to provide you with the best service and solution. Let us make a better world for our industry!



Contact us

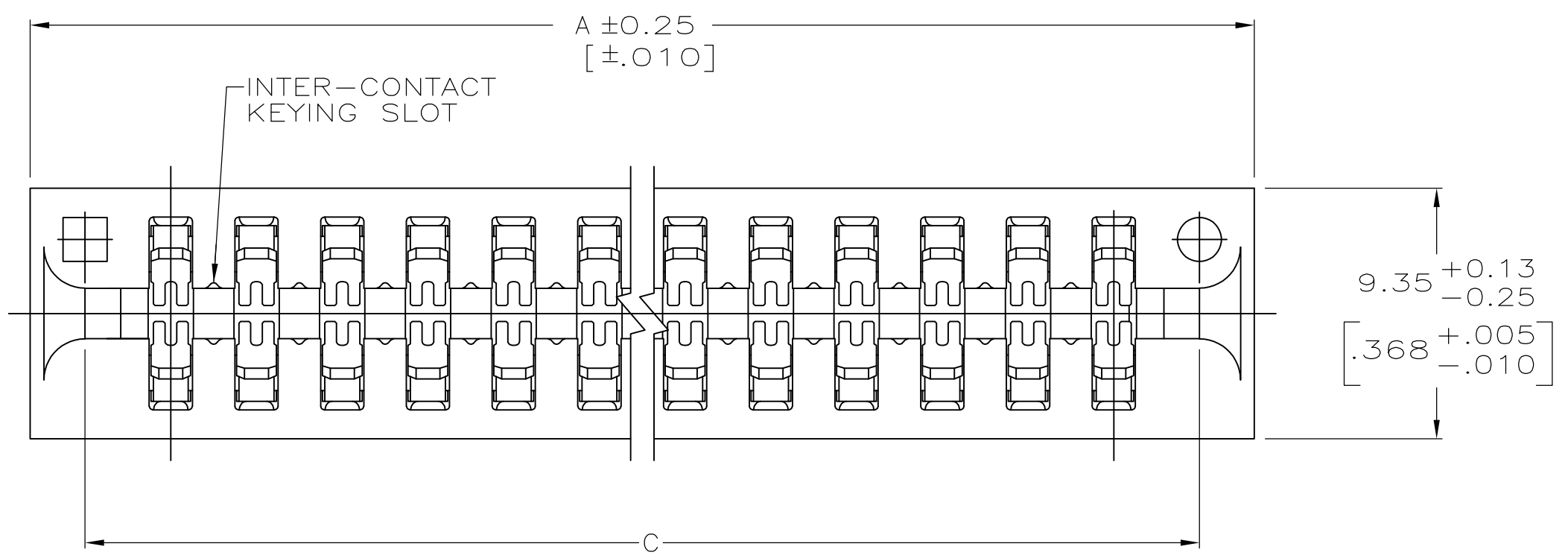
Tel: +86-755-8981 8866 Fax: +86-755-8427 6832

Email & Skype: info@chipsmall.com Web: www.chipsmall.com

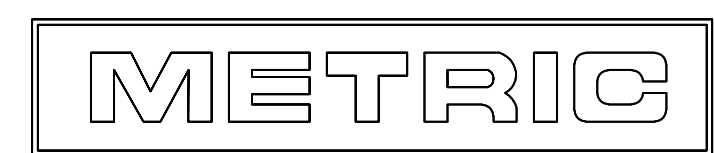
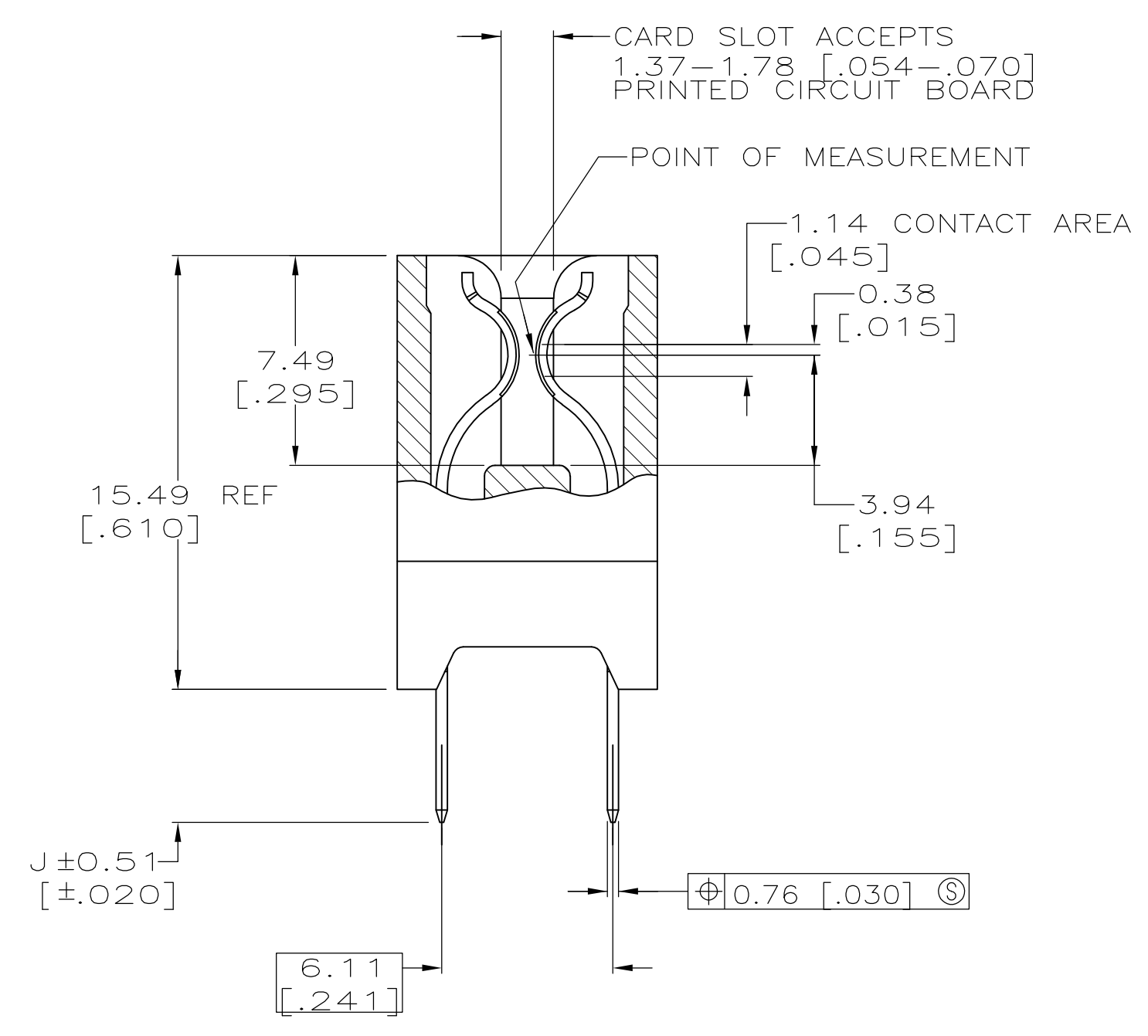
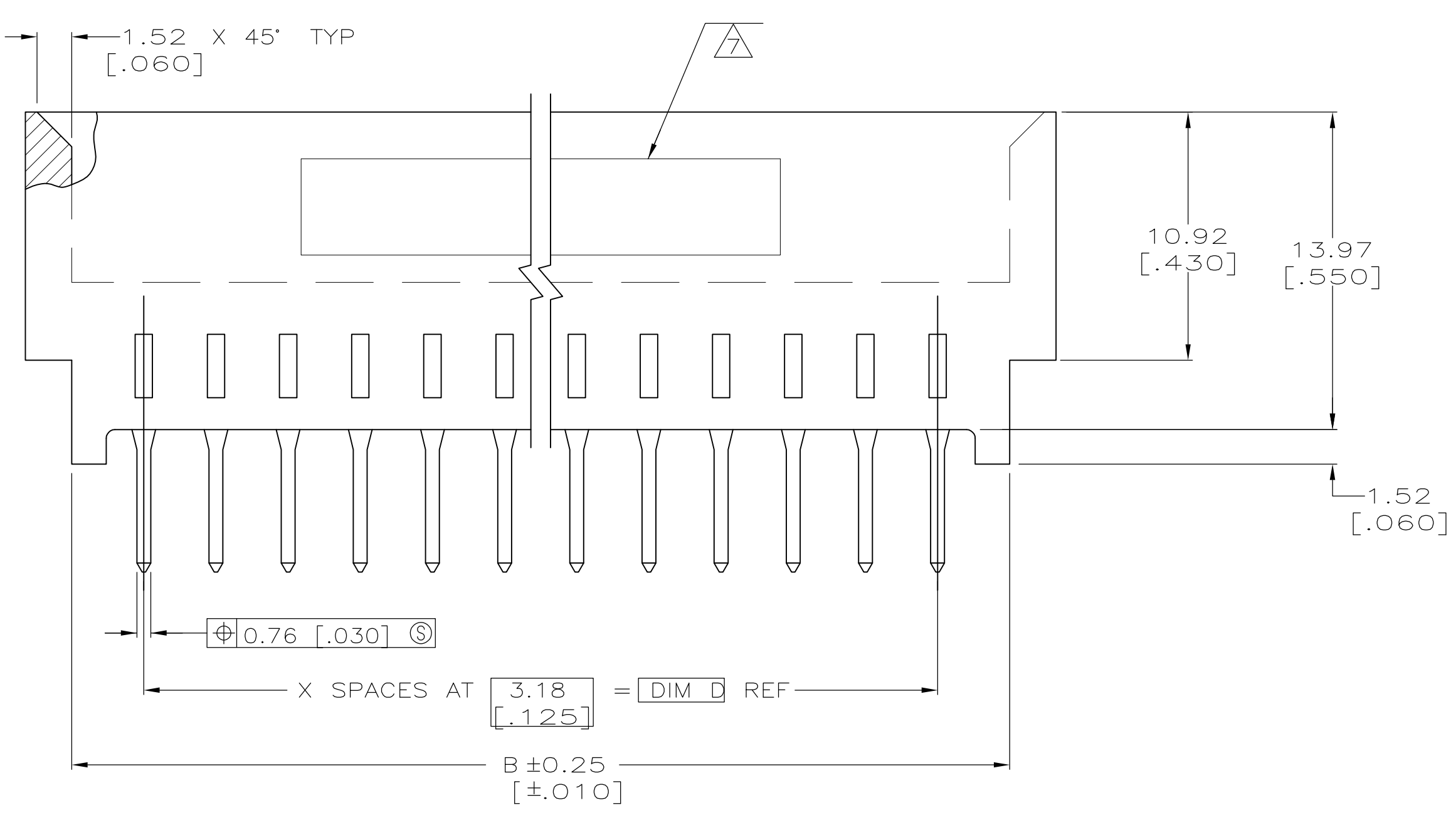
Address: A1208, Overseas Decoration Building, #122 Zhenhua RD., Futian, Shenzhen, China



LOC		DIST		REVISIONS			
AD	14	P	LTR	DESCRIPTION	DATE	OWN	APVD
		Y2		REVISED PER ECO-11-005140	26MAR11	RK	HMR



- ① HOUSING: GLASS FILLED POLYESTER; COLOR: BLACK.
- ② CONTACT: PHOSPHOR BRONZE.
- ③ NICKEL UNDERPLATE: 0.00127 [.000050] MIN - ALL OVER.
- ④ TIN-LEAD PLATE: 0.00254 [.000100] MIN - SOLDER POSTS.
- ⑤ GOLD PLATE: 0.00076 [.000030] MIN - CONTACT AREA.
- ⑥ NICKEL PLATE PER MIL-G-45204. GOLD PLATE PER QQ-N-290.
- ⑦ PART NUMBER AND DATE CODE ARE MARKED IN APPROXIMATE AREA SHOWN, EITHER SIDE.
- ⑧ RECOMMENDED PCB FINISHED HOLE DIA: 1.02 ± 0.08 [$.040 \pm .003$].
- ⑨ OBSOLETE PARTS: OBSOLETE CIS STREAMLINING PER D.RENAUD/D.SINISI



THIS DRAWING IS A CONTROLLED DOCUMENT.		OWN: R. SHIREY/UTA 11/5/91	TE Connectivity
DIMENSIONS: MM(INCHES)		CHK: J. DIORAZIO 8-10-92	
TOLERANCES UNLESS OTHERWISE SPECIFIED:		APVD: J. DIORAZIO 8-10-92	NAME: CONNECTOR ASSEMBLY, STANDARD EDGE II, 3.18 [.125] @
0 PLC ± -		PRODUCT SPEC: 108-9039	SIZE: A1
1 PLC ± -		APPLICATION SPEC: -	CAGE CODE: 00779
2 PLC ± 0.13 [.005]		WEIGHT: -	DRAWING NO: C=530844
3 PLC ± -			SCALE: 5:1
4 PLC ± -			SHEET 1 OF 2
ANGLES ± -			REV Y2
MATERIAL: HOUSING: ① CONTACT: ②	FINISH: ③ ④ ⑤ ⑥	CUSTOMER DRAWING	

