



Chipsmall Limited consists of a professional team with an average of over 10 year of expertise in the distribution of electronic components. Based in Hongkong, we have already established firm and mutual-benefit business relationships with customers from,Europe,America and south Asia,supplying obsolete and hard-to-find components to meet their specific needs.

With the principle of "Quality Parts,Customers Priority,Honest Operation,and Considerate Service",our business mainly focus on the distribution of electronic components. Line cards we deal with include Microchip,ALPS,ROHM,Xilinx,Pulse,ON,Everlight and Freescale. Main products comprise IC,Modules,Potentiometer,IC Socket,Relay,Connector.Our parts cover such applications as commercial,industrial, and automotives areas.

We are looking forward to setting up business relationship with you and hope to provide you with the best service and solution. Let us make a better world for our industry!



Contact us

Tel: +86-755-8981 8866 Fax: +86-755-8427 6832

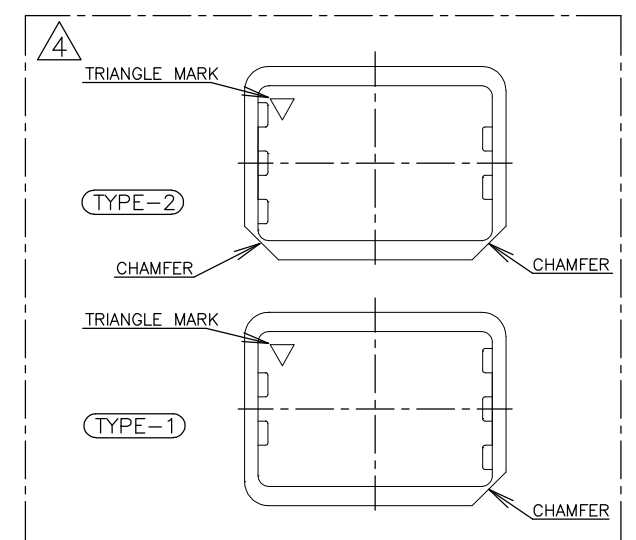
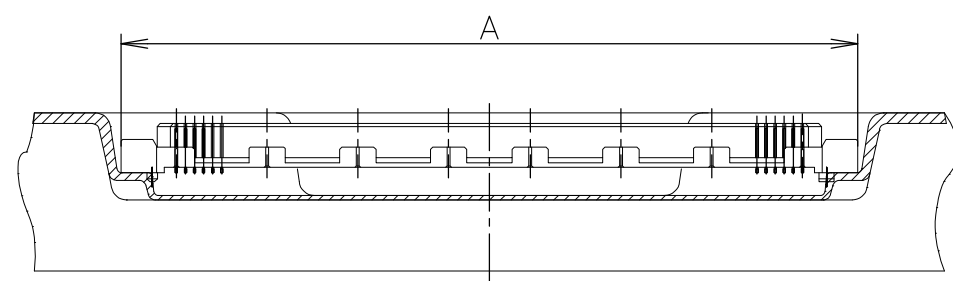
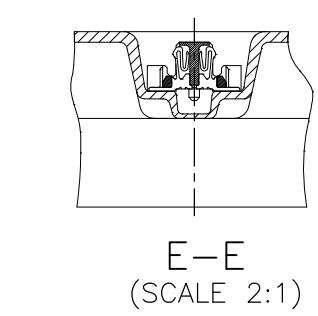
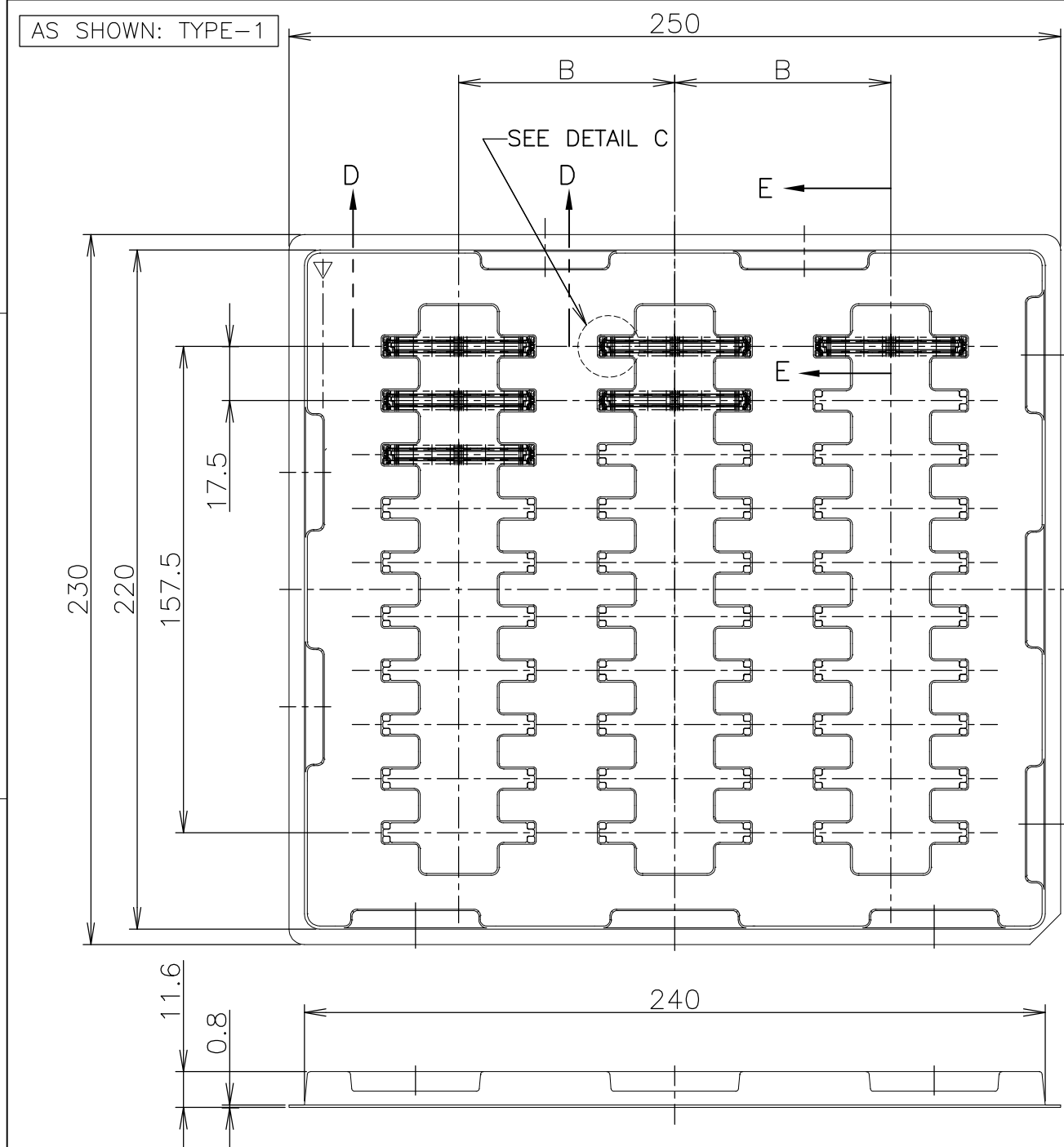
Email & Skype: info@chipsmall.com Web: www.chipsmall.com

Address: A1208, Overseas Decoration Building, #122 Zhenhua RD., Futian, Shenzhen, China

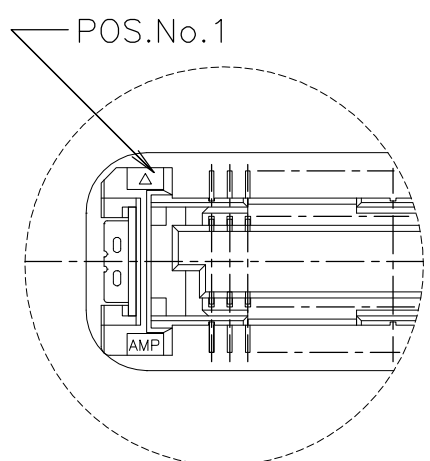


THIS DRAWING IS UNPUBLISHED. RELEASED FOR PUBLICATION MAY, 1995.
 © COPYRIGHT 1995 By - ALL RIGHTS RESERVED.

LOC	DIST	REVISIONS					
J		P	LTR	DESCRIPTION	DATE	DWN	APVD
		B1	REVISED	ECR-14-013112	30JAN2015	I.T	W.H



SEALANT	TOOLING STATUS	ROW	QTY	B	A	POS.	TRAY P/N	PART NO.
SEALANT		3	30	70	54.7	160	912063-9	6-5316077-1
		↑	↑	↑	48.7	140	912063-8	6-↑-0
		↓	↓	↓	42.7	120	4-912065-9	5-↓-9
		↓	↓	↓	36.7	100	8-912066-2	5-↓-8
		3	30	70	33.7	90	9-912066-6	5-↓-7
		5	50	43	30.7	80	912067-3	5-↓-6
		↑	↑	↑	27.7	70	912063-1	5-↓-5
		↓	↓	↓	24.7	60	9-912066-5	5-↓-4
		↓	↓	↓	21.7	50	9-912062-9	5-↓-3
		↓	↓	↓	18.7	40	9-912066-4	5-↓-2
		5	50	43	15.7	30	9-912066-3	5-5316077-1
NON SEALANT		3	30	70	54.7	160	912063-9	1-5316077-1
		↑	↑	↑	48.7	140	912063-8	1-↑-0
		↓	↓	↓	42.7	120	4-912065-9	↓-9
		↓	↓	↓	36.7	100	8-912066-2	↓-8
		3	30	70	33.7	90	9-912066-6	↓-7
		5	50	43	30.7	80	912067-3	↓-6
		↑	↑	↑	27.7	70	912063-1	↓-5
		↓	↓	↓	24.7	60	9-912066-5	↓-4
		↓	↓	↓	21.7	50	9-912062-9	↓-3
		↓	↓	↓	18.7	40	9-912066-4	↓-2
		5	50	43	15.7	30	9-912066-3	5316077-1



⚠ TRAY TYPE-1 AND TYPE-2 MUST BE PILED UP BY TURNS.
 (REFER TO PACKING SPECIFICATIONS)

GENERAL TOLERANCE
一般公差

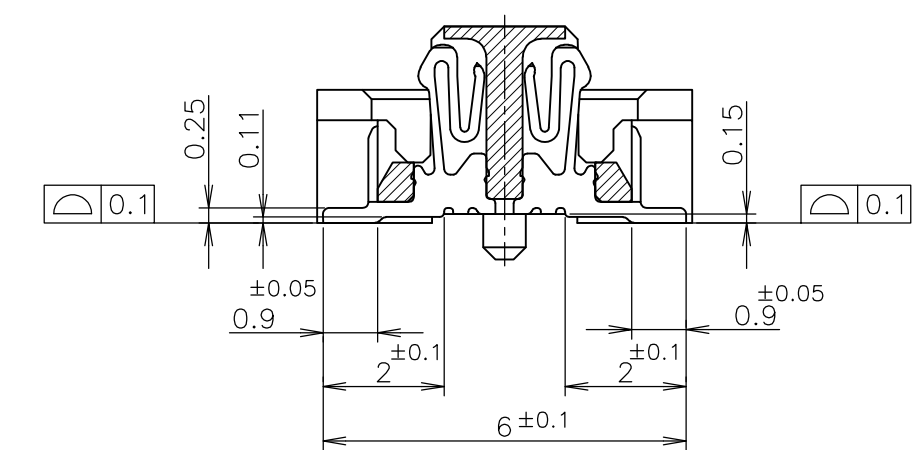
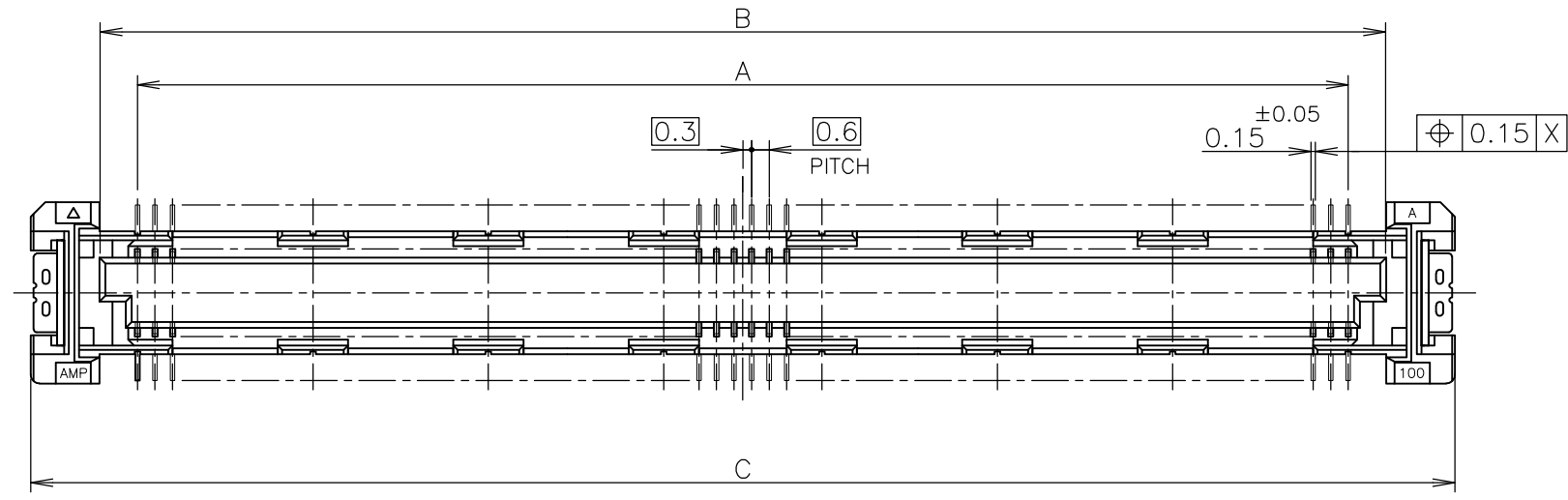
10 ≥	±0.2
30 ≥	>10: ±0.25
100 ≥	>30: ±0.3
ANGLES: ±3°	

THIS DRAWING IS A CONTROLLED DOCUMENT.

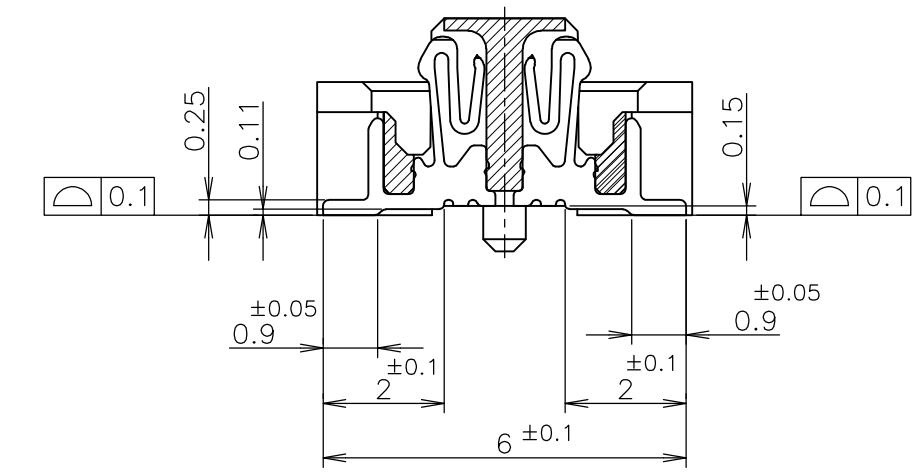
DIMENSIONS: 単位: 耗 mm	TOLERANCES UNLESS OTHERWISE SPECIFIED: 一般公差	DWN HAWKING HE 21DEC04	 TE Connectivity TRAY ASSY FH 0.6BTB CONNECTOR REC 4H W/G-CONT
	0 PLC ±- 1 PLC ±- 2 PLC ±- 3 PLC ±- 4 PLC ±- ANGLES ±-	CHK STEVEN YAO 21DEC04	
		APVD I.ENOMOTO 21DEC04	
		NAME I.ENOMOTO	
MATERIAL 材料	FINISH 仕上	PRODUCT SPEC 製品規格 108-60047	SIZE A3
		APPLICATION SPEC 取付適用規格 114-5255	CAGE CODE 00779
		WEIGHT	DRAWING NO 番号 G-5316077
		CUSTOMER DRAWING	RESTRICTED TO
			SCALE 尺度 1:2
			SHEET 1 OF 3
			REV B1

THIS DRAWING IS UNPUBLISHED. RELEASED FOR PUBLICATION MAY, 1995.
 © COPYRIGHT 1995 By - ALL RIGHTS RESERVED.

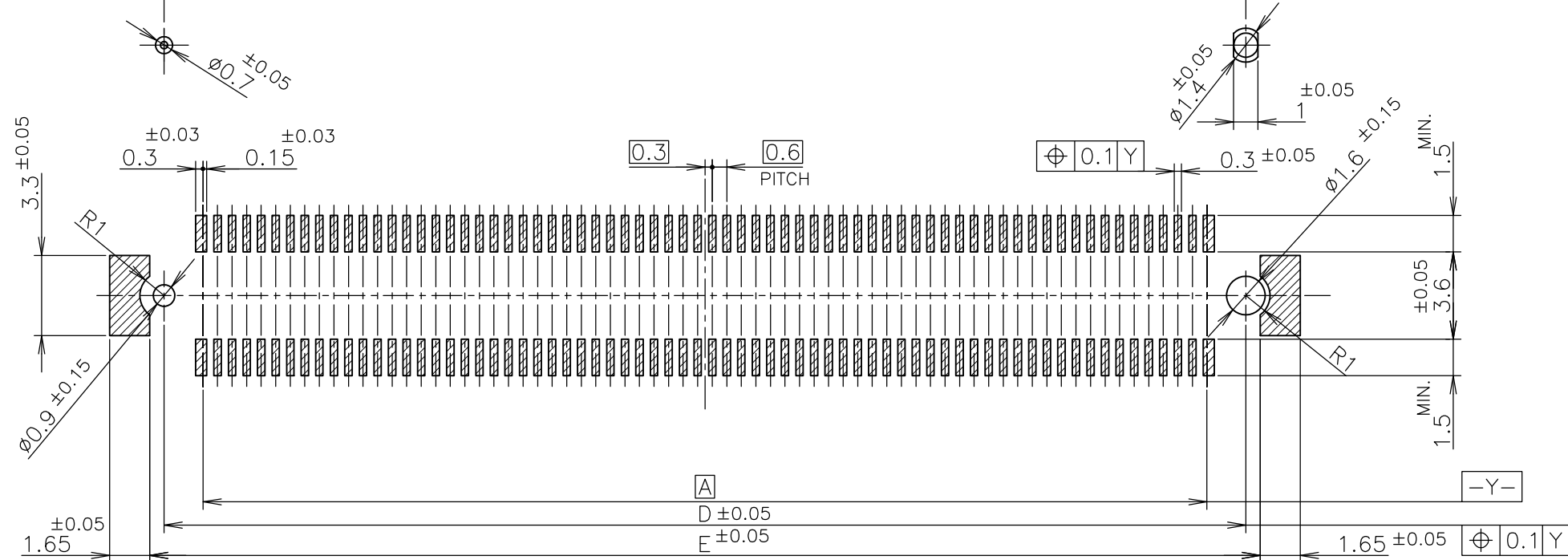
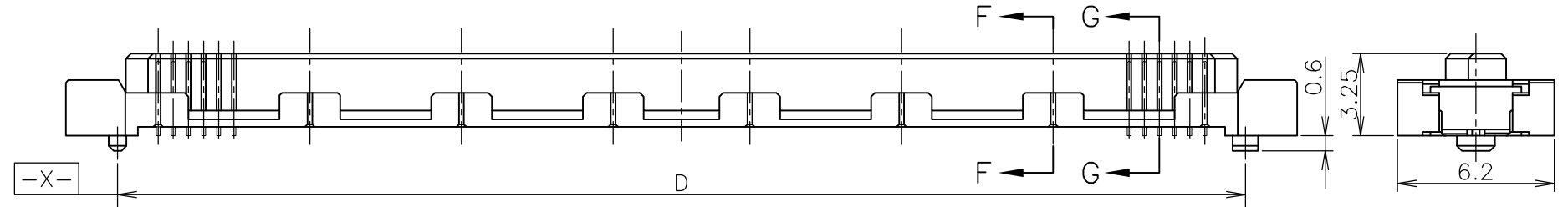
LOC	DIST	REVISIONS		
J		P	LTR	DESCRIPTION
		-		SEE SHEET 1
				DATE
				DWN
				APVD



G-G
(SIGNAL POSITION)
(SCALE 8:1)



F-F
(GROUND POSITION)
(SCALE 8:1)



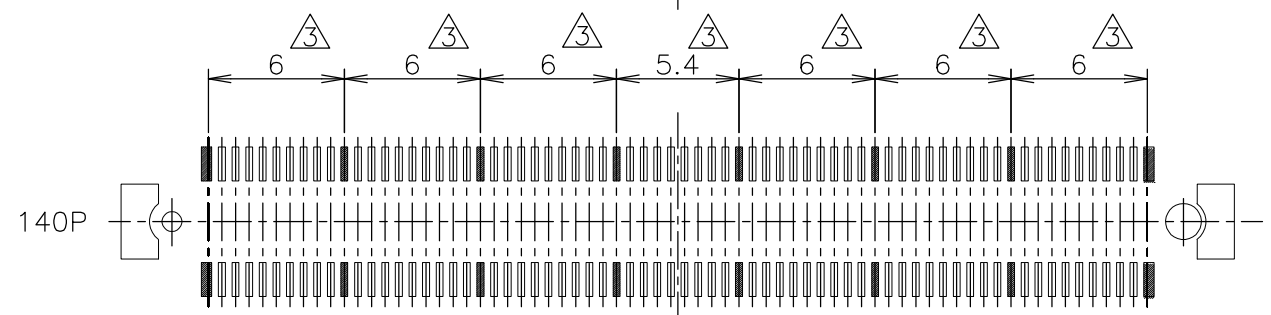
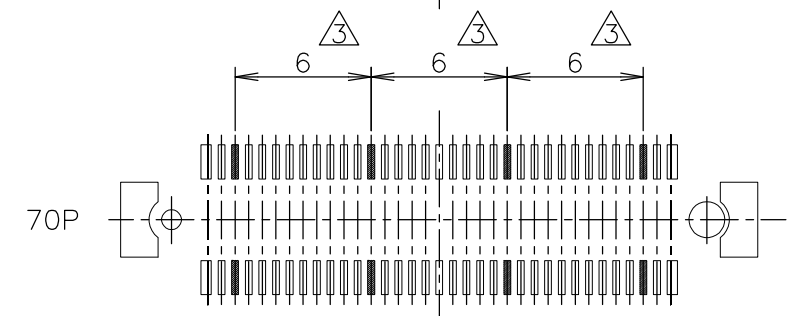
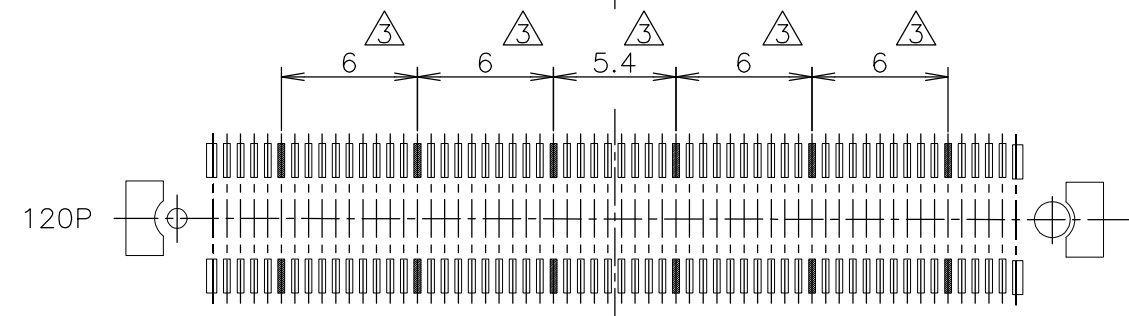
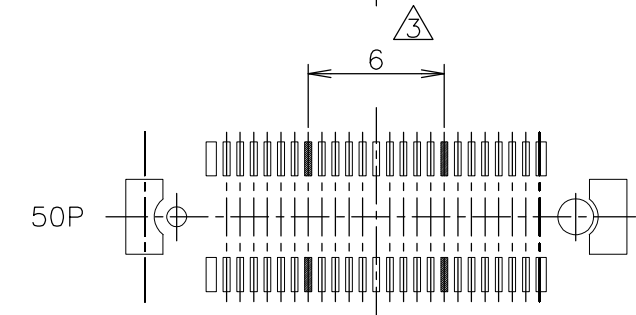
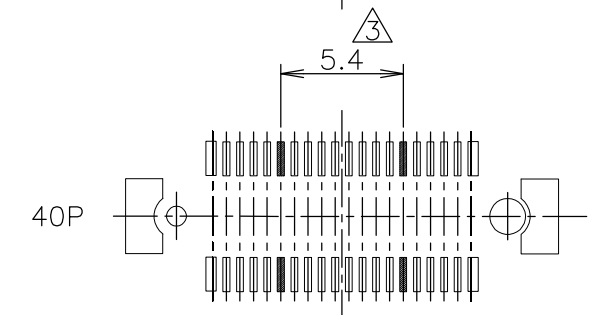
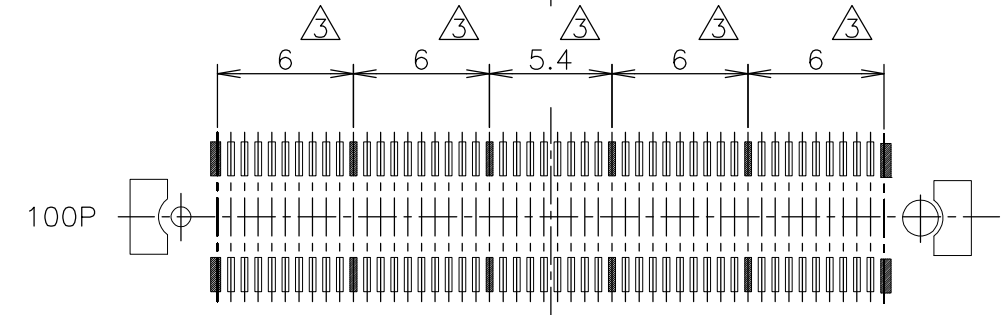
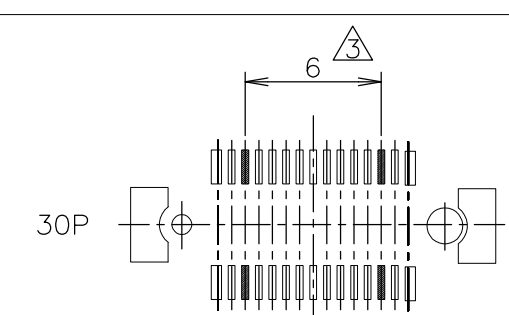
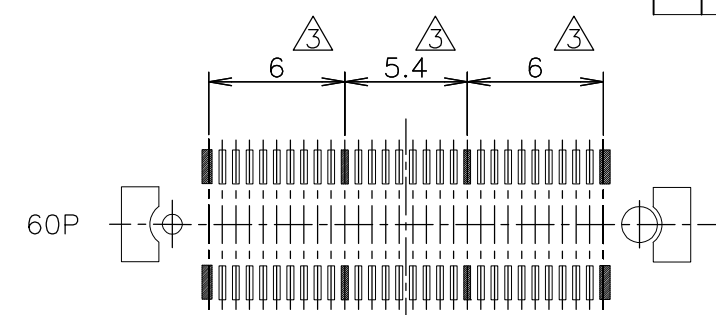
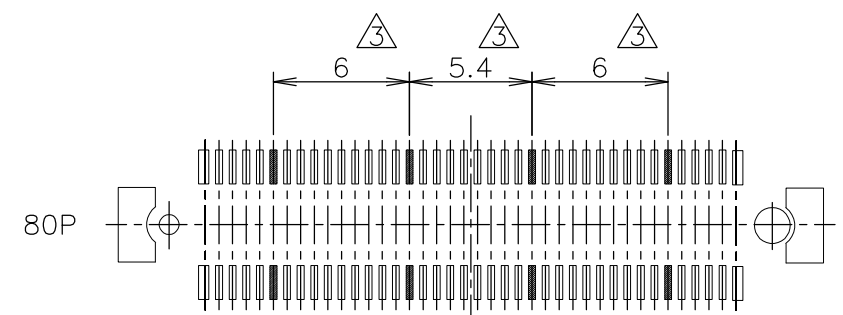
AVAILABLE	51.8	50.6	54.7	50	47.4	160
AVAILABLE	45.8	44.6	48.7	44	41.4	140
NOT AVAILABLE	39.8	38.6	42.7	38	35.4	120
AVAILABLE	33.8	32.6	36.7	32	29.4	100
NOT AVAILABLE	30.8	29.6	33.7	29	26.4	90
AVAILABLE	27.8	26.6	30.7	26	23.4	80
	24.8	23.6	27.7	23	20.4	70
	21.8	20.6	24.7	20	17.4	60
	18.8	17.6	21.7	17	14.4	50
AVAILABLE	15.8	14.6	18.7	14	11.4	40
NOT AVAILABLE	12.8	11.6	15.7	11	8.4	30
TOOLING STATUS	E	D	C	B	A	POS

REFERENCE P.C.BOARD LAYOUT

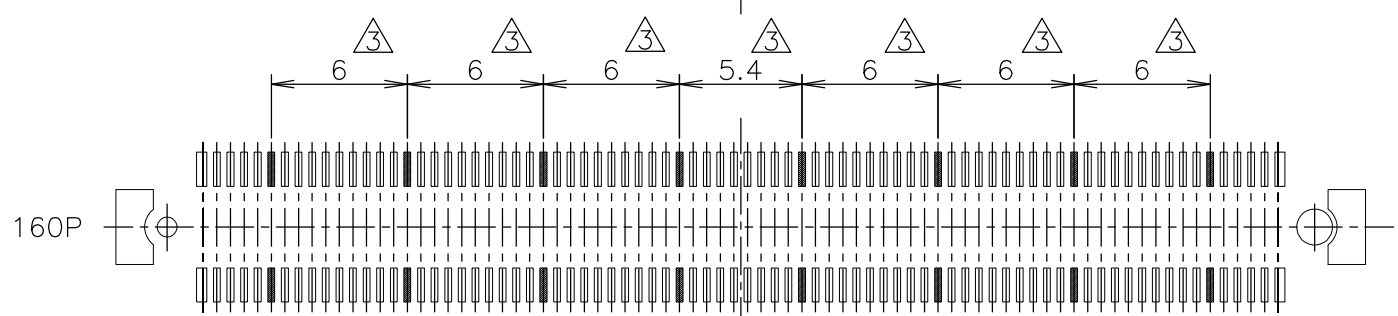
THIS DRAWING IS A CONTROLLED DOCUMENT.		DWN	TE Connectivity NAME 名称 TRAY ASSY FH 0.6BTB CONNECTOR REC 4H W/G-CONT				
DIMENSIONS: 单位: 耗 mm		CHK					
TOLERANCES UNLESS OTHERWISE SPECIFIED: 一般公差		APVD					
0 PLC ± 0.3 1 PLC ± 0.3 2 PLC ± 0.3 3 PLC ± 0.3 4 PLC ± 0.3 ANGLES ± 3°		PRODUCT SPEC 製品規格					
MATERIAL 材料		WEIGHT	APPLICATION SPEC 取付適用規格	SIZE	CAGE CODE	DRAWING NO 番号	RESTRICTED TO
FINISH 仕上		CUSTOMER DRAWING		A3	00779	G-5316077	
		SCALE 尺度 4:1		SHEET 2 OF 3		REV B1	

THIS DRAWING IS UNPUBLISHED. RELEASED FOR PUBLICATION MAY, 1995.
 © COPYRIGHT 1995 By - ALL RIGHTS RESERVED.

LOC J	DIST	REVISIONS 変更		
P	LTR	DESCRIPTION	DATE	DWN
	-	SEE SHEET 1	-	-
				APVD



- △1 MATERIAL ; HOUSING : HIGH TEMP THERMO PLASTIC
UL94V-0
CONTACT : COPPER ALLOY
- △2 FINISH ; UNDER PL Ni 0.0013mm MIN ALL OVER.
CONTACT AREA 0.0002 MIN Au PL.
SOLDERING AREA: SIGNAL POS 0.00005 MIN Au PL.
GROUND POS 0.001 MIN TIN PL.
- △3 THIS POSITION IS GROUND CIRCUIT.



THIS DRAWING IS A CONTROLLED DOCUMENT.		DWN	STE TE Connectivity		
DIMENSIONS: 単位: 耗 mm		CHK			
TOLERANCES UNLESS OTHERWISE SPECIFIED: 一般公差		APVD	NAME 名称		
0 PLC ± 0.3		PRODUCT SPEC 製品規格	TRAY ASSY		
1 PLC ± 0.3		APPLICATION SPEC 取付適用規格	FH 0.6BTB CONNECTOR		
2 PLC ± 0.3		WEIGHT	SIZE	CAGE CODE	DRAWING NO 番号
3 PLC ± 0.3		CUSTOMER DRAWING	A3	00779	G-5316077
4 PLC ± 0.3			SCALE 尺度	3:1	SHEET 3 OF 3
ANGLES ± 3'		RESTRICTED TO			
MATERIAL 材料	FINISH 仕上				