



Chipsmall Limited consists of a professional team with an average of over 10 year of expertise in the distribution of electronic components. Based in Hongkong, we have already established firm and mutual-benefit business relationships with customers from,Europe,America and south Asia,supplying obsolete and hard-to-find components to meet their specific needs.

With the principle of “Quality Parts,Customers Priority,Honest Operation,and Considerate Service”,our business mainly focus on the distribution of electronic components. Line cards we deal with include Microchip,ALPS,ROHM,Xilinx,Pulse,ON,Everlight and Freescale. Main products comprise IC,Modules,Potentiometer,IC Socket,Relay,Connector.Our parts cover such applications as commercial,industrial, and automotives areas.

We are looking forward to setting up business relationship with you and hope to provide you with the best service and solution. Let us make a better world for our industry!



Contact us

Tel: +86-755-8981 8866 Fax: +86-755-8427 6832

Email & Skype: info@chipsmall.com Web: www.chipsmall.com

Address: A1208, Overseas Decoration Building, #122 Zhenhua RD., Futian, Shenzhen, China



4

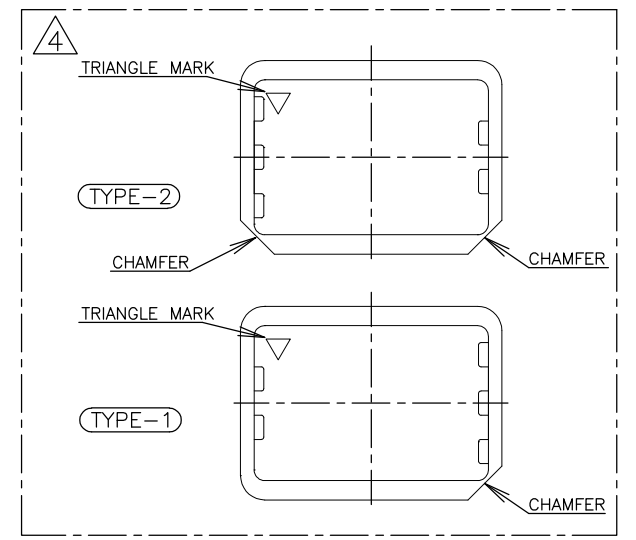
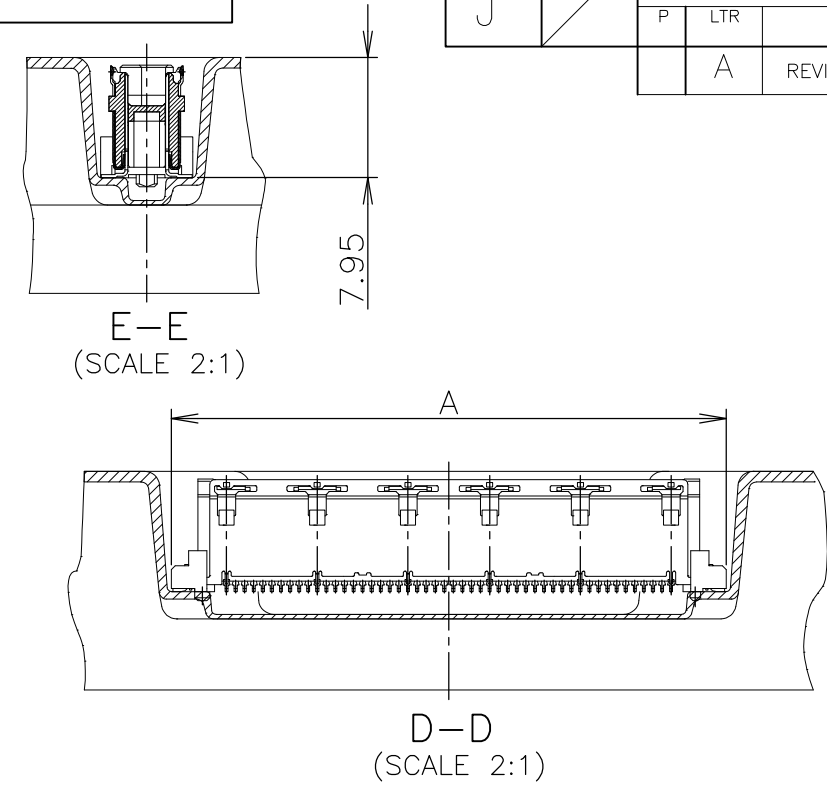
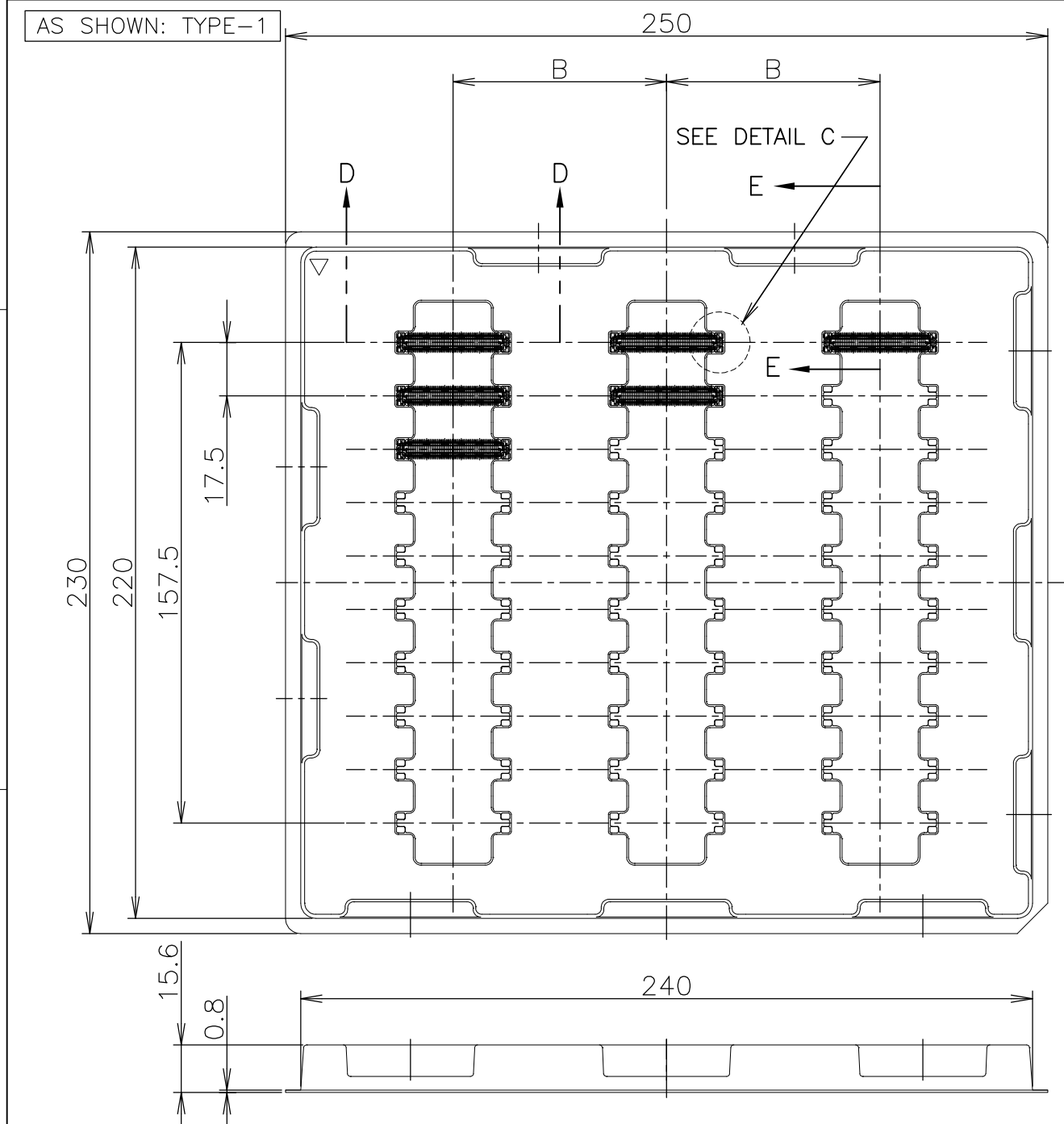
3

2

1

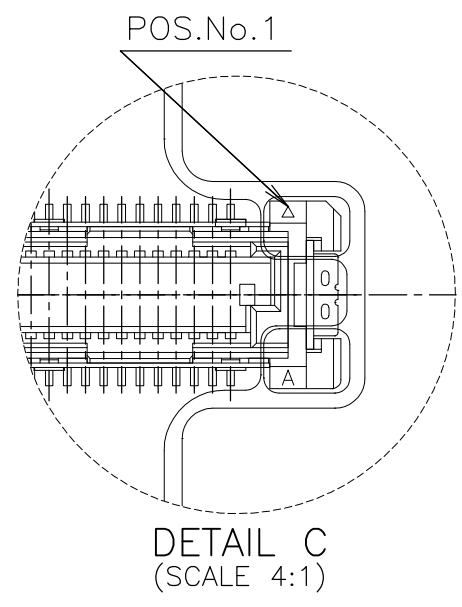
THIS DRAWING IS UNPUBLISHED. RELEASED FOR PUBLICATION OCT, 1995.
 © COPYRIGHT 1995 BY TYCO ELECTRONICS CORPORATION. ALL RIGHTS RESERVED.

LOC	DIST	REVISIONS					
J		P	LTR	DESCRIPTION	DATE	DWN	APVD
		A	REVISED	ECR-08-000339	01FEB08	T.T	T.F



SEALANT	TOOLING STATUS	ROW	QTY	B	A	POS.	TRAY P/N	PART NO.
SEALANT	AVAILABLE	3	30	70	54.7	160	3-912068-1	6-5316562-1
	AVAILABLE	↑	↑	↑	48.7	140	7-912063-3	6-↑-0
	NOT AVAILABLE	↓	↓	↓	42.7	120	7-912063-2	5-↓-9
	↑	↓	↓	↓	36.7	100	3-912068-0	5-↓-8
	↓	3	30	70	33.7	90	2-↑-9	5-↓-7
	↑	5	50	43	30.7	80	2-↑-8	5-↓-6
	↓	↑	↑	↑	27.7	70	2-↑-7	5-↓-5
	↑	↓	↓	↓	24.7	60	2-↑-6	5-↓-4
	↓	↓	↓	↓	21.7	50	2-↑-5	5-↓-3
	↑	↓	↓	↓	18.7	40	2-↑-4	5-↓-2
NON SEALANT	NOT AVAILABLE	5	50	43	15.7	30	2-912068-3	5-5316562-1
	AVAILABLE	3	30	70	54.7	160	3-912068-1	1-5316562-1
	AVAILABLE	↑	↑	↑	48.7	140	7-912063-3	1-↑-0
	NOT AVAILABLE	↓	↓	↓	42.7	120	7-912063-2	↓-9
	↑	↓	↓	↓	36.7	100	3-912068-0	↓-8
	↓	3	30	70	33.7	90	2-↑-9	↓-7
	↑	5	50	43	30.7	80	2-↑-8	↓-6
	↓	↑	↑	↑	27.7	70	2-↑-7	↓-5
	↑	↓	↓	↓	24.7	60	2-↑-6	↓-4
	↓	↓	↓	↓	21.7	50	2-↑-5	↓-3
↑	↓	↓	↓	18.7	40	2-↑-4	↓-2	

△ TRAY TYPE-1 AND TYPE-2 MUST BE
 PAILED UP BY TURNS.
 (REFER TO PACKING SPECIFICATIONS)



GENERAL TOLERANCE
 一般公差

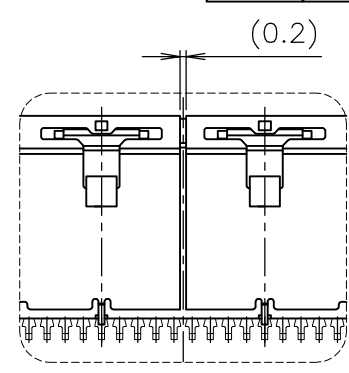
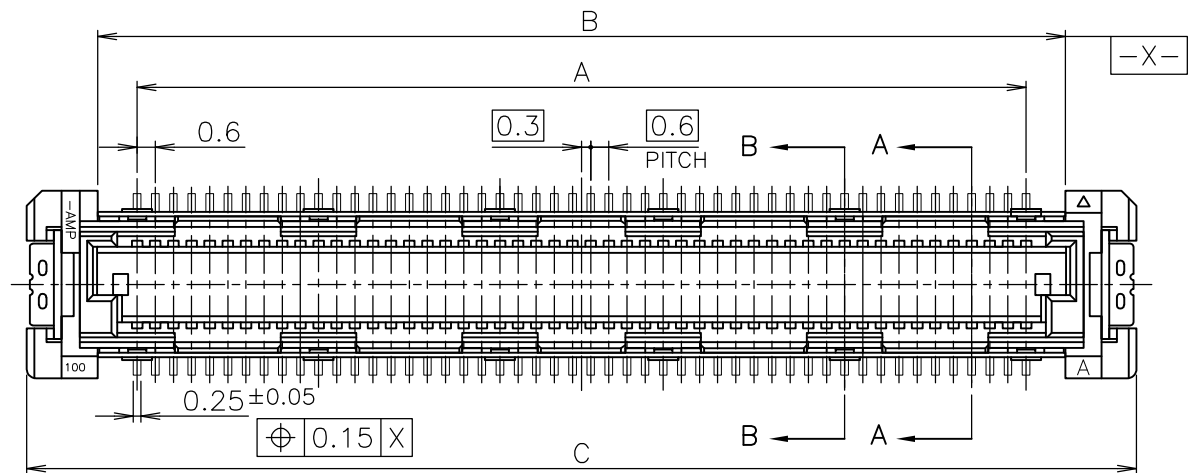
10 ≥	±0.2
30 ≥	>10: ±0.25
100 ≥	>30: ±0.3
ANGLES: ±3°	

THIS DRAWING IS A CONTROLLED DOCUMENT.

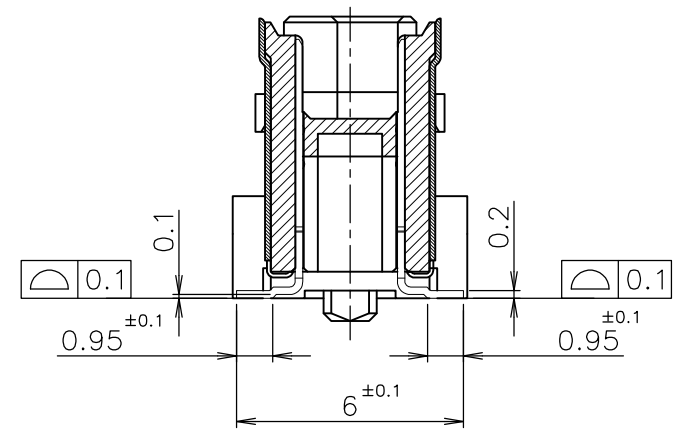
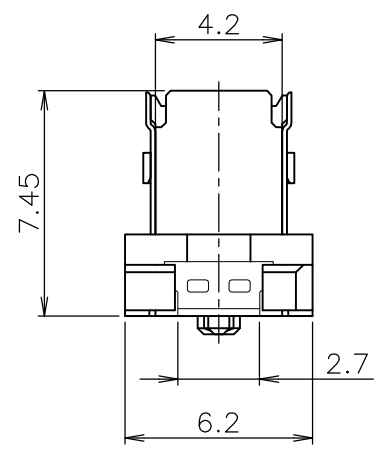
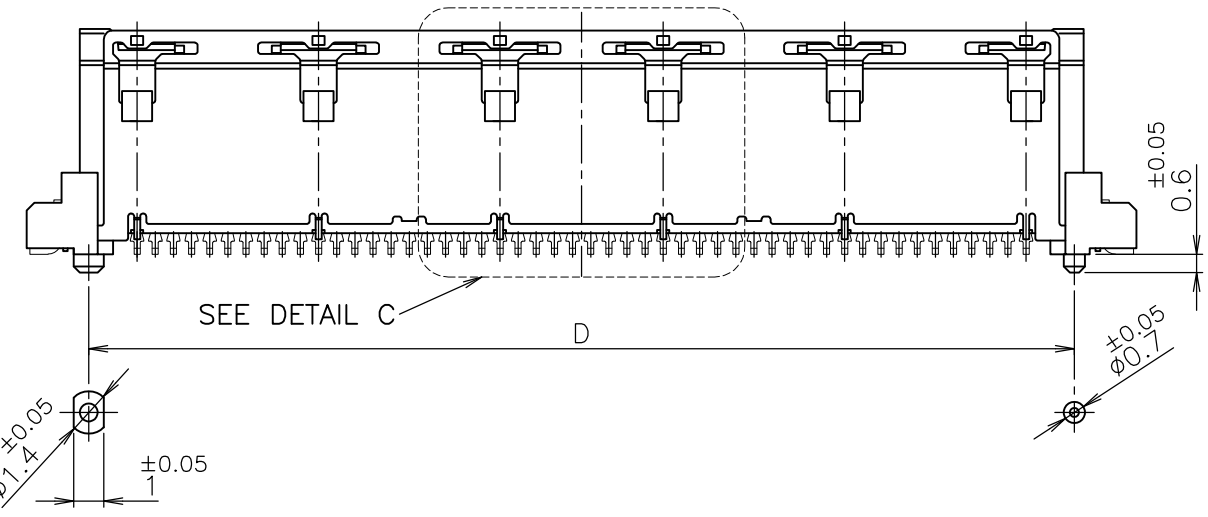
DWN HAWKING HE 20DEC04	Tyco Electronics Corporation Kawasaki, Japan
CHK STEVEN YAO 20DEC04	
APVD I.ENOMOTO 20DEC04	NAME 名称
PRODUCT SPEC 製品規格 108-60047	SOFT TRAY ASSY FH 0.6BTB CONNECTOR PLUG 8H W/G-PLATE
APPLICATION SPEC 取付適用規格 114-5255	SIZE A3
WEIGHT	CAGE CODE 00779
CUSTOMER DRAWING	DRAWING NO G-5316562
	RESTRICTED TO
	SCALE 尺度 1:2
	SHEET 1 OF 3
	REV A

THIS DRAWING IS UNPUBLISHED. RELEASED FOR PUBLICATION OCT, 1995.
 © COPYRIGHT 1995 BY TYCO ELECTRONICS CORPORATION. ALL RIGHTS RESERVED.

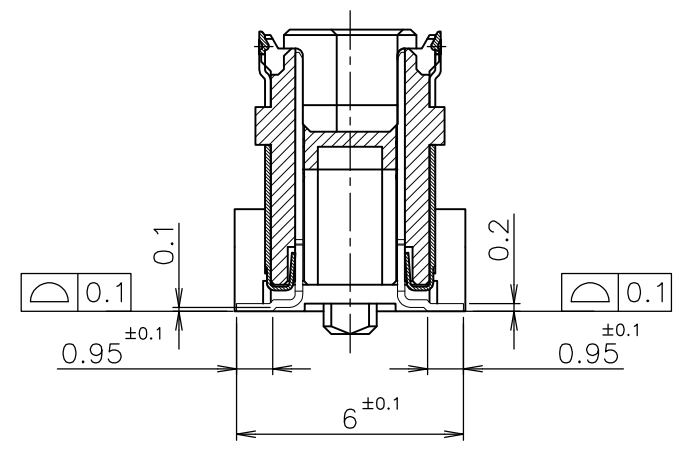
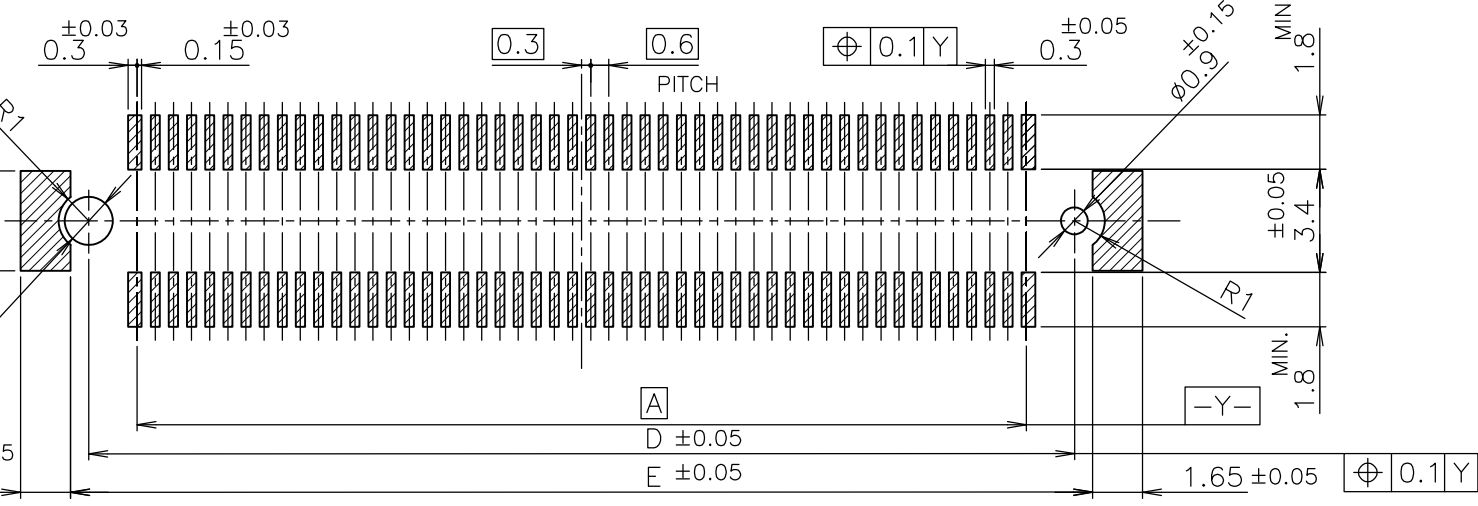
LOC	DIST	REVISIONS		
J		変更	DATE	DWN
P	LTR	DESCRIPTION		APVD
		SEE SHEET 1	-	-



DETAIL C
180P~240P ONLY



A-A
(SIGNAL POSITION)
(SCALE 5:1)



B-B
(GROUND POSITION)
(SCALE 5:1)

AVAILABLE	51.8	50.6	54.7	50	47.4	160
AVAILABLE	45.8	44.6	48.7	44	41.4	140
NOT AVAILABLE	39.8	38.6	42.7	38	35.4	120
	33.8	32.6	36.7	32	29.4	100
	30.8	29.6	33.7	29	26.4	90
	27.8	26.6	30.7	26	23.4	80
	24.8	23.6	27.7	23	20.4	70
	21.8	20.6	24.7	20	17.4	60
	19.8	17.6	21.7	17	14.4	50
	15.8	14.6	18.7	14	11.4	40
NOT AVAILABLE	12.8	11.6	15.7	11	8.4	30
TOOLING STATUS	E	D	C	B	A	POS

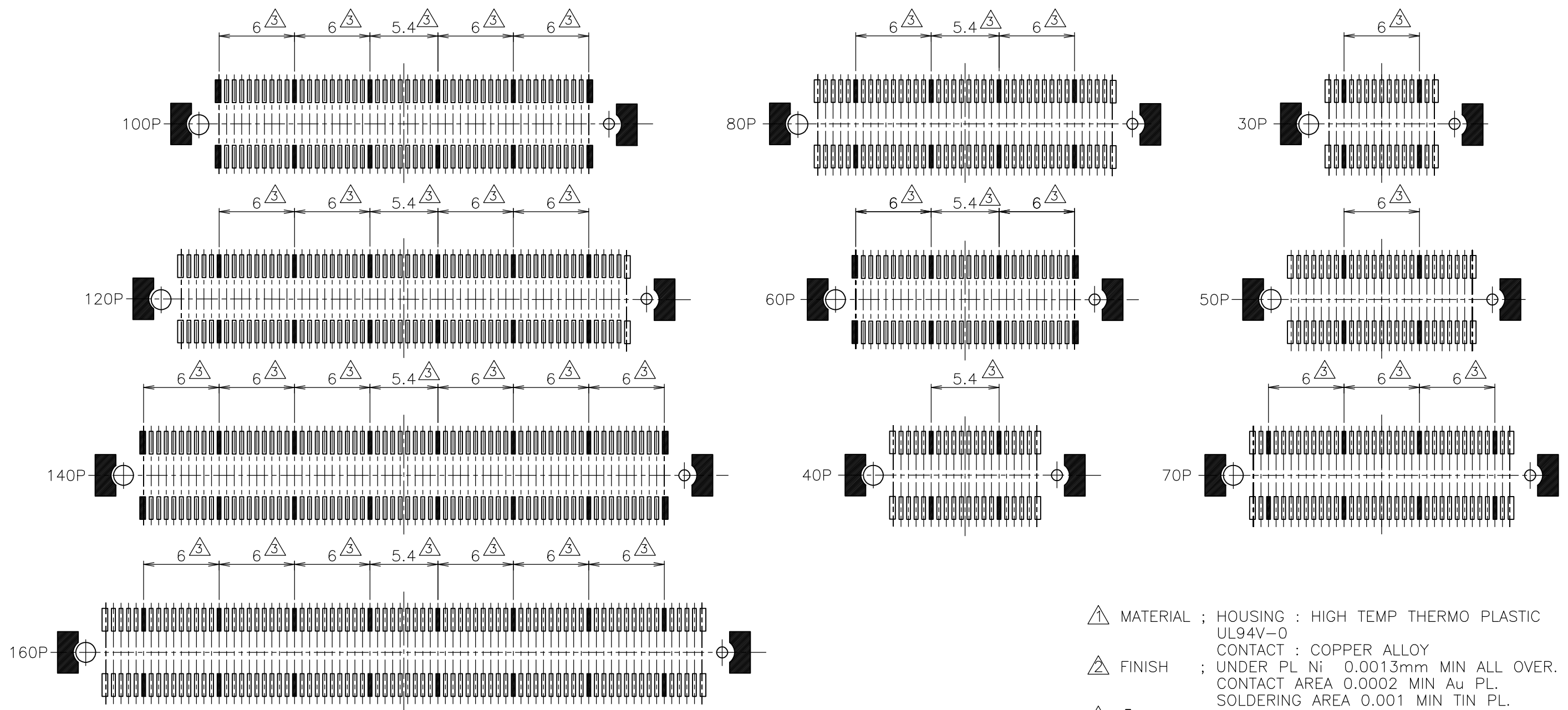
REFERENCE P.C.BOARD LAYOUT

GENERAL TOLERANCE
一般公差
 10 ≥ ±0.2
 30 ≥ >10: ±0.25
 100 ≥ >30: ±0.3
 ANGLES: ±3°

THIS DRAWING IS A CONTROLLED DOCUMENT.		DWN	Tyco Electronics Corporation Kawasaki, Japan	
DIMENSIONS: 単位: 耗 mm		CHK	NAME 名称	
TOLERANCES UNLESS OTHERWISE SPECIFIED: 一般公差		APVD	SOFT TRAY ASSY FH 0.6BTB CONNECTOR PLUG 8H W/G-PLATE	
0 PLC ± - 1 PLC ± - 2 PLC ± - 3 PLC ± - 4 PLC ± - ANGLES ± -		PRODUCT SPEC 製品規格	SIZE	CAGE CODE
MATERIAL 材料		APPLICATION SPEC 取付適用規格	A3	00779
FINISH 仕上		WEIGHT	DRAWING NO 番号	RESTRICTED TO
1		G-5316562		
2		CUSTOMER DRAWING		SCALE 尺度 4:1
		SHEET 2 OF 3		REV A

THIS DRAWING IS UNPUBLISHED. RELEASED FOR PUBLICATION OCT, 1995.
 © COPYRIGHT 1995 BY TYCO ELECTRONICS CORPORATION. ALL RIGHTS RESERVED.

LOC	DIST	REVISIONS		
J		変更		
P	LTR	DESCRIPTION	DATE	DWN
		SEE SHEET 1		
				APVD



- △ MATERIAL ; HOUSING : HIGH TEMP THERMO PLASTIC UL94V-0
CONTACT : COPPER ALLOY
- △ FINISH ; UNDER PL Ni 0.0013mm MIN ALL OVER.
CONTACT AREA 0.0002 MIN Au PL.
SOLDERING AREA 0.001 MIN TIN PL.
- △ THIS POSITION IS GROUND CIRCUIT.

GENERAL TOLERANCE
 一般公差

10 ≥ : ±0.2
 30 ≥ >10 : ±0.25
 100 ≥ >30 : ±0.3
 ANGLES : ±3°

THIS DRAWING IS A CONTROLLED DOCUMENT.		DWN	Tyco Electronics Tyco Electronics Corporation Kawasaki, Japan		
DIMENSIONS: 単位: 耗 mm		CHK	NAME 名称		
TOLERANCES UNLESS OTHERWISE SPECIFIED: 一般公差		APVD	SOFT TRAY ASSY FH 0.6BTB CONNECTOR PLUG 8H W/G-PLATE		
0 PLC ± - 1 PLC ± - 2 PLC ± - 3 PLC ± - 4 PLC ± - ANGLES ± -		PRODUCT SPEC 製品規格	SIZE	CAGE CODE	DRAWING NO 番号
MATERIAL 材料		APPLICATION SPEC 取付適用規格	A3	00779	G-5316562
FINISH 仕上		WEIGHT	RESTRICTED TO		
△ 1		CUSTOMER DRAWING		SCALE 尺度 3:1	SHEET 3 OF 3
△ 2				REV A	