



Chipsmall Limited consists of a professional team with an average of over 10 year of expertise in the distribution of electronic components. Based in Hongkong, we have already established firm and mutual-benefit business relationships with customers from,Europe,America and south Asia,supplying obsolete and hard-to-find components to meet their specific needs.

With the principle of “Quality Parts,Customers Priority,Honest Operation,and Considerate Service”,our business mainly focus on the distribution of electronic components. Line cards we deal with include Microchip,ALPS,ROHM,Xilinx,Pulse,ON,Everlight and Freescale. Main products comprise IC,Modules,Potentiometer,IC Socket,Relay,Connector.Our parts cover such applications as commercial,industrial, and automotives areas.

We are looking forward to setting up business relationship with you and hope to provide you with the best service and solution. Let us make a better world for our industry!



Contact us

Tel: +86-755-8981 8866 Fax: +86-755-8427 6832

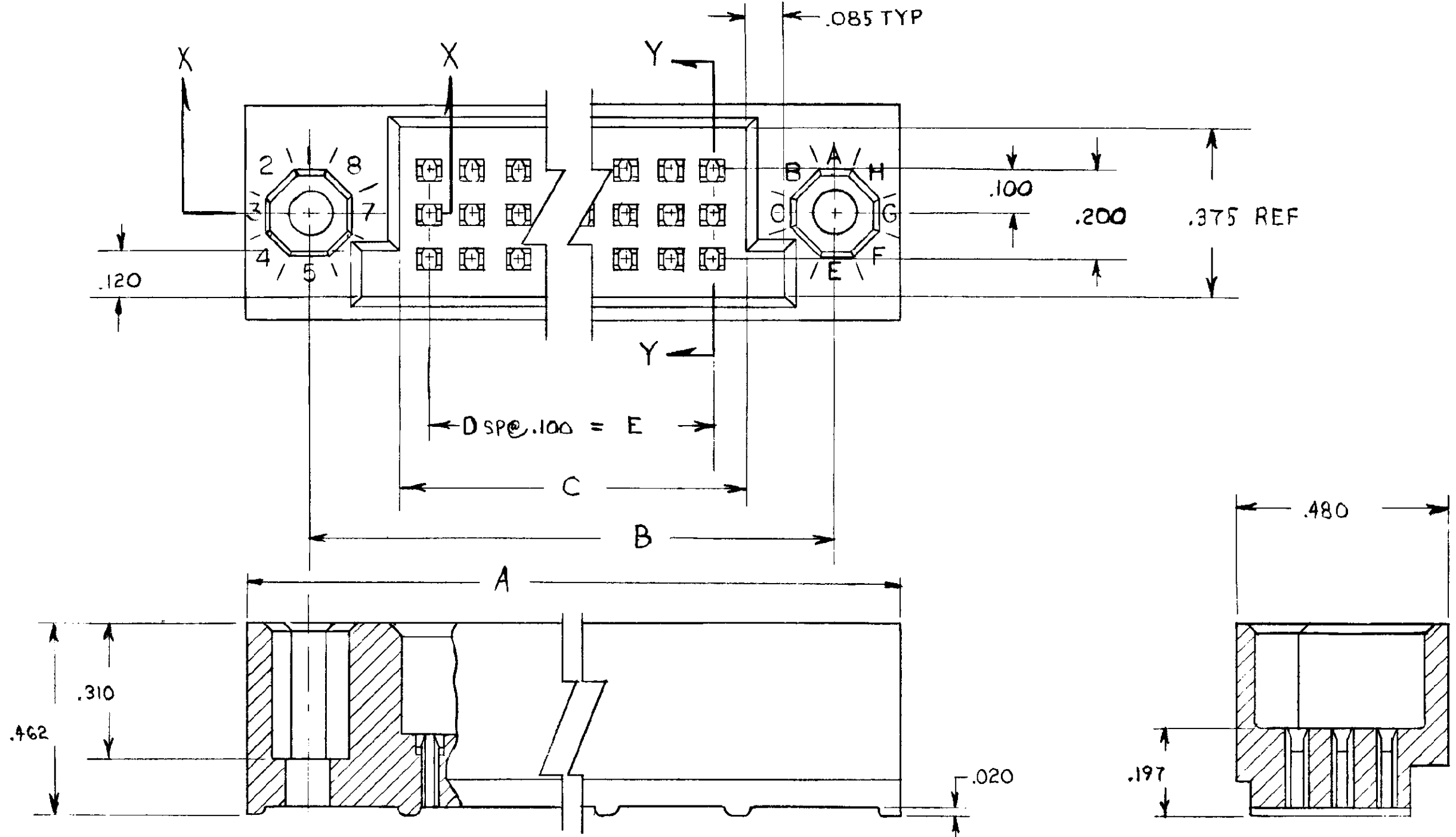
Email & Skype: info@chipsmall.com Web: www.chipsmall.com

Address: A1208, Overseas Decoration Building, #122 Zhenhua RD., Futian, Shenzhen, China



THIS DRAWING IS UNPUBLISHED. RELEASED FOR PUBLICATION . 19 .
 © COPYRIGHT 19 BY AMP INCORPORATED, HARRISBURG, PA. ALL INTERNATIONAL RIGHTS RESERVED. AMP PRODUCTS MAY BE COVERED BY U.S. AND FOREIGN PATENTS AND/OR PATENTS PENDING.

REVISIONS						
P	F	ZONE	LTR	DESCRIPTION	DATE	APPROVED
✓	L		0	REL.	R 2/3	11-20-84
✓			01	OBS. 1--8 THRU 3--3 PER ECN AB0582	ab	11-20-84
✓			02	REV. PER AB-0731	ab	4-01-85



SECTION X-X

SECTION Y-Y
ROTATED 90° CLOCKWISE

1 1-532402-8 THROUGH 3-532402-3 INCLUSIVE ARE OBSOLETE

UNLESS OTHERWISE SPECIFIED DIMENSIONS ARE IN INCHES. TOLERANCES ON: DECIMALS ±.005 ANGLES ±0°30'		CONTRACT NO 10-11-84		PART NO	
MATERIAL THERMOPLASTIC COLOR: NATURAL		CHK 5-1-84		AMP AMP INCORPORATED Harrisburg, Pa. 17105	
FINISH		APPD 0-27-84		NAME HOUSING, HDI, PIN, 3-ROW	
		APPD 10-11-84		DRAWING NO 532402	
		DSGN APPD		SIZE C	
		OTHER APPD		FSCM NO 00779	
				DRAWING NO 532402	
				SCALE 4:1	
				SHEET 1 OF 2	

THIS DRAWING IS UNPUBLISHED. RELEASED FOR PUBLICATION, 19
 © COPYRIGHT 19 BY AMP INCORPORATED, HARRISBURG, PA. ALL INTERNATIONAL RIGHTS RESERVED. AMP PRODUCTS MAY BE COVERED BY U.S. AND FOREIGN PATENTS AND/OR PATENTS PENDING.

REVISIONS						
P	F	ZONE	LTR	DESCRIPTION	DATE	APPROVED
				SEE SHEET 1		

10.300	103	10.050	10.450	11.150	312	4-532402-1
5.700	57	5.850	6.250	6.550	174	4- -0
3.200	32	3.350	3.750	4.050	99	3- -9
11.600	116	11.750	12.150	12.450	351	3- -8
8.300	83	8.450	8.850	9.150	252	3- -7
9.600	96	9.750	10.150	10.450	291	3- -6
7.100	71	7.250	7.650	7.950	216	3- -5
6.600	66	6.750	7.150	7.450	201	3- -4
9.900	99	10.050	10.450	10.750	300	1- -7
9.400	94	9.550	9.950	10.250	285	1- -6
8.900	89	9.050	9.450	9.750	270	1- -5
8.400	84	8.550	8.950	9.250	255	1- -4
7.900	79	8.050	8.450	8.750	240	1- -3
7.400	74	7.550	7.950	8.250	225	1- -2
6.900	69	7.050	7.450	7.750	210	1- -1
6.400	64	6.550	6.950	7.250	195	1- -0
5.900	59	6.050	6.450	6.750	180	-9
5.400	54	5.550	5.950	6.250	165	-8
4.900	49	5.050	5.450	5.750	150	-7
4.400	44	4.550	4.950	5.250	135	-6
3.900	39	4.050	4.450	4.750	120	-5
3.400	34	3.550	3.950	4.250	105	-4
3.100	31	3.250	3.650	3.950	96	-3
2.900	29	3.050	3.450	3.750	90	-2
2.400	24	2.550	2.950	3.250	75	532402-1

532402

UNLESS OTHERWISE SPECIFIED DIMENSIONS ARE IN INCHES. TOLERANCES ON: DECIMALS ± .005 ANGLES ±	CONTRACT NO		AMP INCORPORATED Harrisburg, Pa. 17105		
	DR <i>R.P.</i> 10-22-84		NAME		
	CHK <i>D.J. Wiggan</i> 10-31-84		HOUSING, HDI, PIN, 3-ROW		
	APPD <i>D.J. Wiggan</i> 10-31-84				
MATERIAL	APPD <i>El Passos</i> 10-1-81		SIZE	FSCM NO	DRAWING NO
FINISH	DSGN APPD		C	00779	532402
	OTHER APPD		SCALE	SHEET 2	