



Chipsmall Limited consists of a professional team with an average of over 10 year of expertise in the distribution of electronic components. Based in Hongkong, we have already established firm and mutual-benefit business relationships with customers from,Europe,America and south Asia,supplying obsolete and hard-to-find components to meet their specific needs.

With the principle of "Quality Parts,Customers Priority,Honest Operation,and Considerate Service",our business mainly focus on the distribution of electronic components. Line cards we deal with include Microchip,ALPS,ROHM,Xilinx,Pulse,ON,Everlight and Freescale. Main products comprise IC,Modules,Potentiometer,IC Socket,Relay,Connector.Our parts cover such applications as commercial,industrial, and automotives areas.

We are looking forward to setting up business relationship with you and hope to provide you with the best service and solution. Let us make a better world for our industry!



Contact us

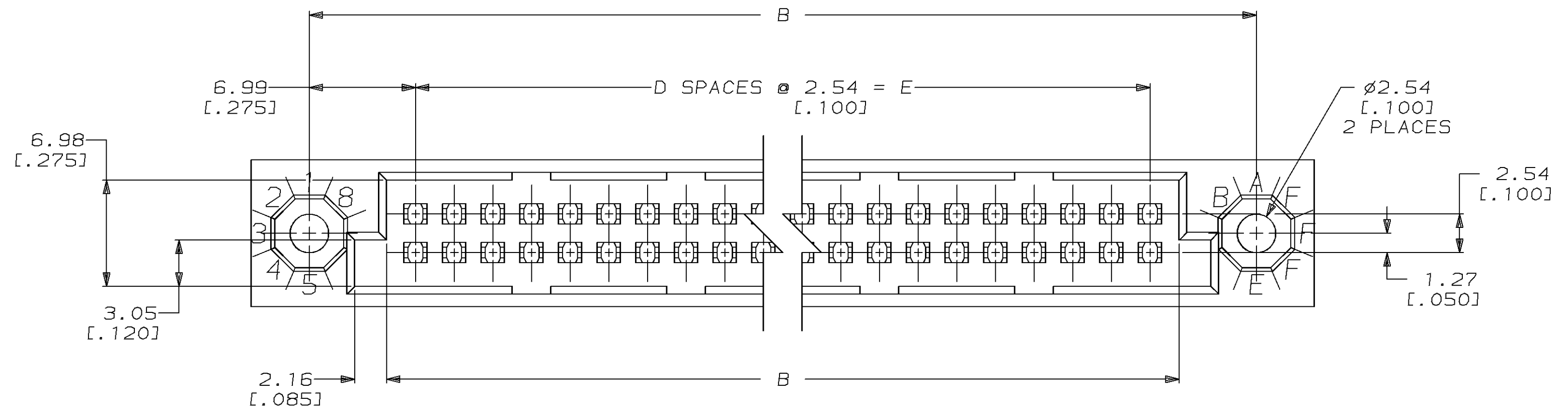
Tel: +86-755-8981 8866 Fax: +86-755-8427 6832

Email & Skype: info@chipsmall.com Web: www.chipsmall.com

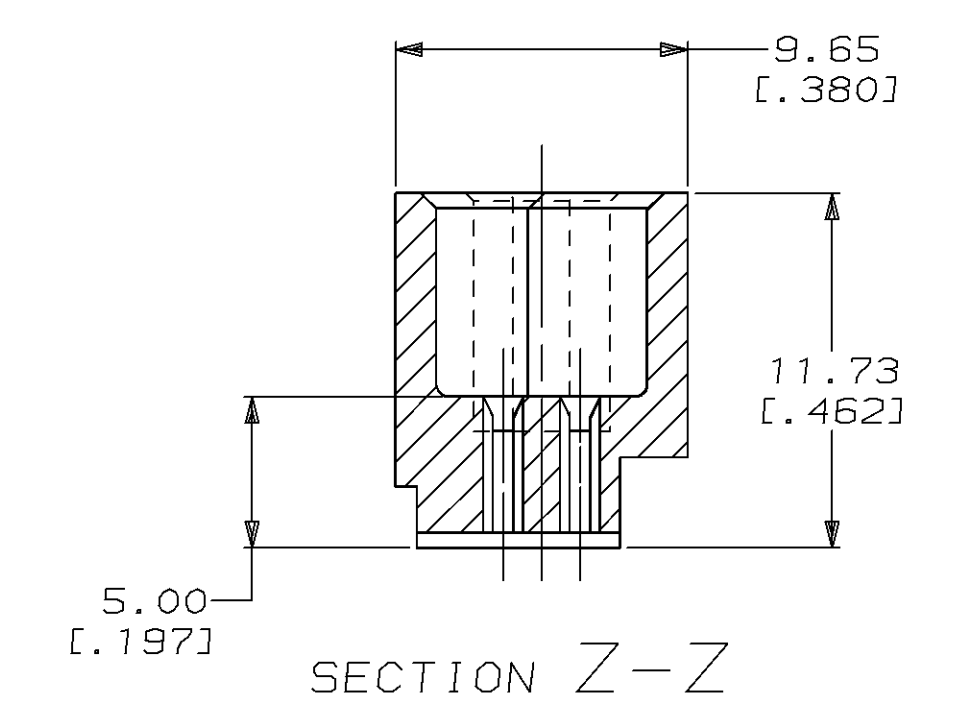
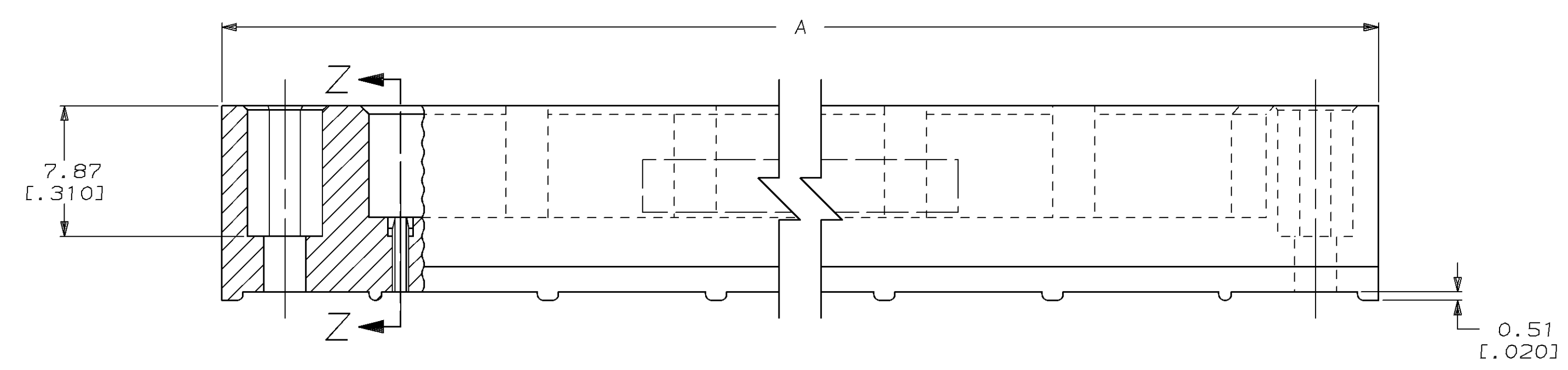
Address: A1208, Overseas Decoration Building, #122 Zhenhua RD., Futian, Shenzhen, China



LOC		DIST		REVISONS			
AD	25	P	LTR	DESCRIPTION	DATE	DMN	APVD
		0		DRAWN	11-8-94	TS	GS
		A		PER EC 0257-95	2-20-95	TS	GS



⚠ MATERIAL: THERMOPLASTIC, COLOR: NATURAL.



251.46 [9.900]	99	255.27 [10.050]	265.43 [10.450]	273.05 [10.750]	200	1-532417-9
149.86 [5.900]	59	153.67 [6.050]	163.83 [6.450]	171.45 [6.750]	120	1-532417-1
E	D	C	B	A	NUMBER OF POSITIONS	PART NUMBER

THIS DRAWING IS A CONTROLLED DOCUMENT FOR AMP INCORPORATED. IT IS SUBJECT TO CHANGE AND THE CONTROLLING ENGINEERING ORGANIZATION SHOULD BE CONTACTED FOR THE LATEST REVISION.

AMP INCORPORATED
 Harrisburg, PA 17105-3608

DESIGNED BY: T. SHUEY
 CHECKED BY: G. SKIPPER
 DRAWN BY: G. SKIPPER

DATE: 11-8-94
 DATE: 11-9-94
 DATE: 11-9-94

PRODUCT SPEC: HOUSING, PIN, HDI, 2 ROW
 APPLICATION SPEC: A1 00779
 DRAWING NO: C-532417
 SCALE: 4:1
 SHEET: 1 OF 1
 REV: A

MATERIAL: THERMOPLASTIC, COLOR: NATURAL