



Chipsmall Limited consists of a professional team with an average of over 10 year of expertise in the distribution of electronic components. Based in Hongkong, we have already established firm and mutual-benefit business relationships with customers from,Europe,America and south Asia,supplying obsolete and hard-to-find components to meet their specific needs.

With the principle of “Quality Parts,Customers Priority,Honest Operation,and Considerate Service”,our business mainly focus on the distribution of electronic components. Line cards we deal with include Microchip,ALPS,ROHM,Xilinx,Pulse,ON,Everlight and Freescale. Main products comprise IC,Modules,Potentiometer,IC Socket,Relay,Connector.Our parts cover such applications as commercial,industrial, and automotives areas.

We are looking forward to setting up business relationship with you and hope to provide you with the best service and solution. Let us make a better world for our industry!



## Contact us

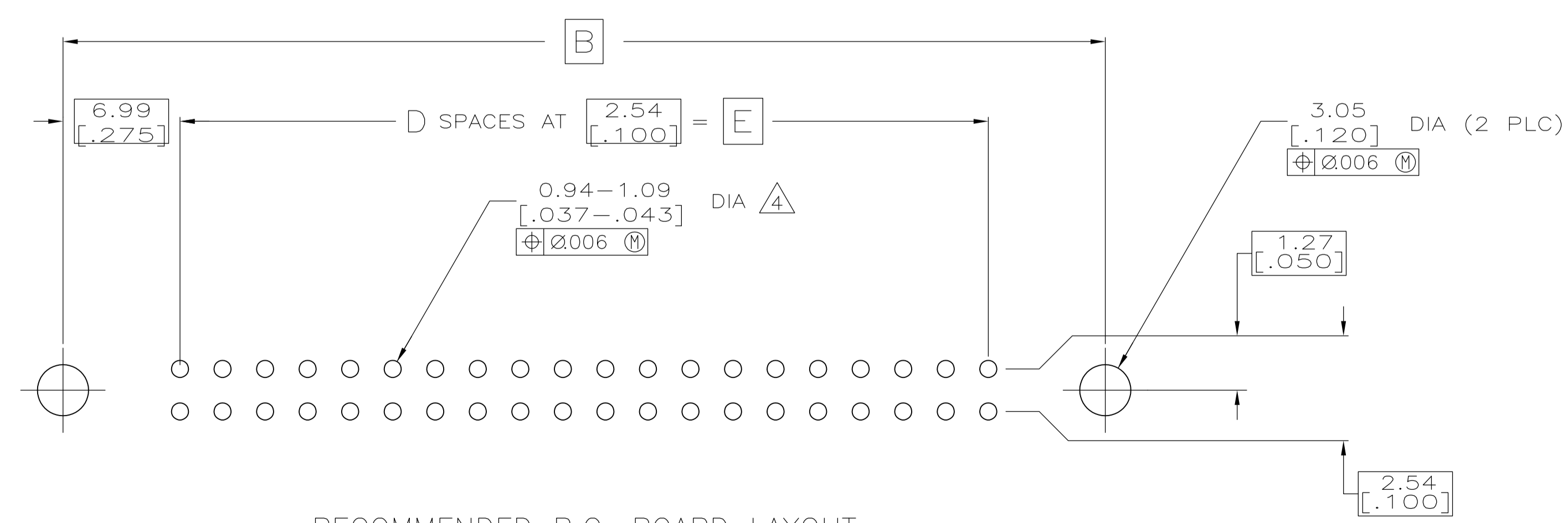
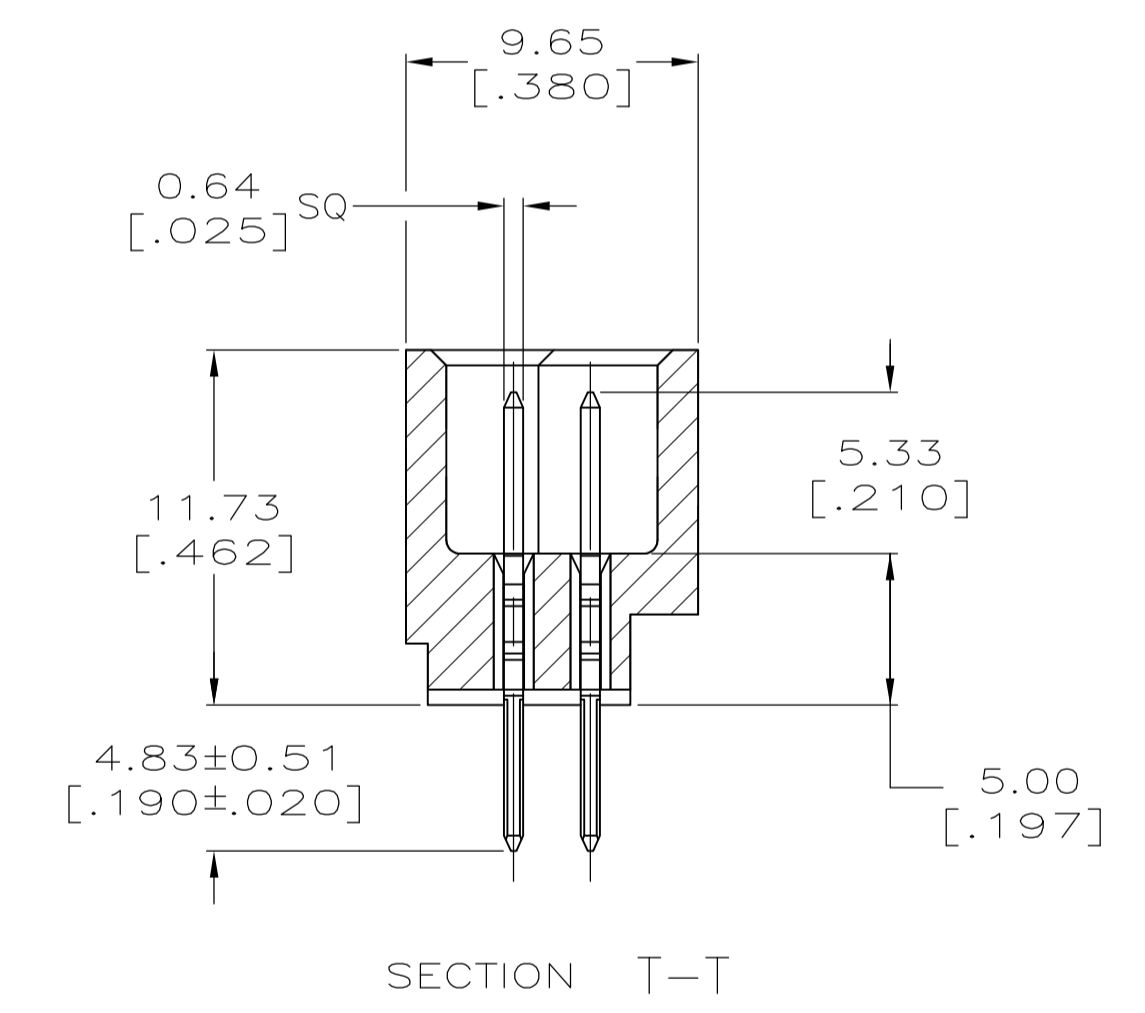
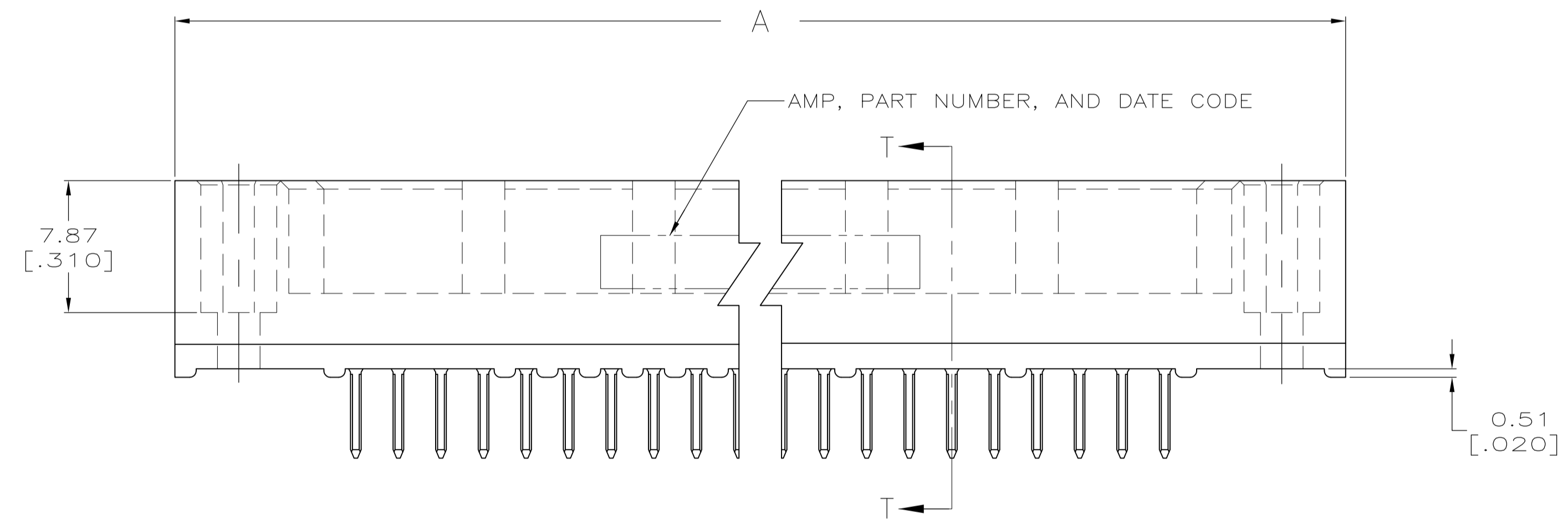
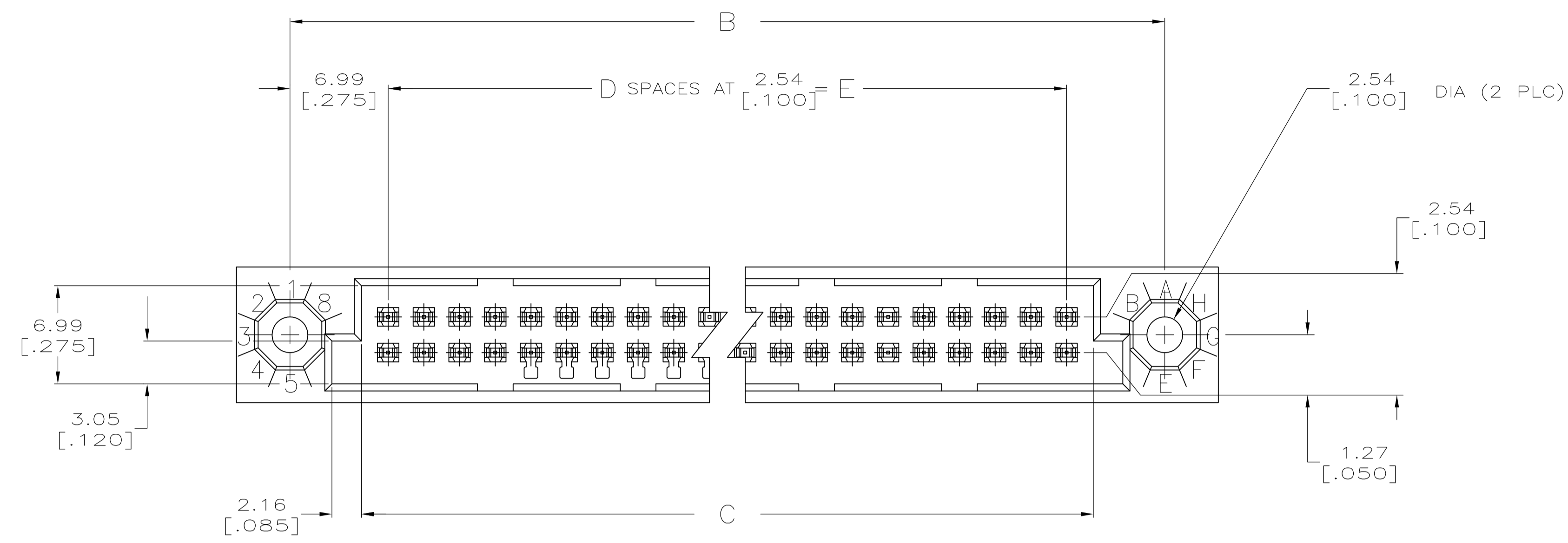
Tel: +86-755-8981 8866 Fax: +86-755-8427 6832

Email & Skype: info@chipsmall.com Web: www.chipsmall.com

Address: A1208, Overseas Decoration Building, #122 Zhenhua RD., Futian, Shenzhen, China



LOC		DIST		REVISIONS			
P	LTR	DESCRIPTION	DATE	DNW	APVD		
N1		REV PER ECO-07-002356	01MAR2007	BC	AS		
N2		REVISED PER ECO-09-021826	08JAN10	KK	AEG		



RECOMMENDED P.C. BOARD LAYOUT

THIS DRAWING IS A CONTROLLED DOCUMENT.		DIN: R.K. SEIFRIED 04/09/90	Tyco Electronics Corporation Harrisburg, PA 17105-3608	
DIMENSIONS: mm [INCHES]		CHK: F. KIBLER 8-17-92	NAME: HDI, 2 ROW, PIN ASSEMBLY, 4.83 [.190] LONG SOLDER PINS, .00076 [.000030] GOLD PLATE	
TOLERANCES UNLESS OTHERWISE SPECIFIED:		APVD: -	PRODUCT SPEC: -	
0 PLC ± -		APPLICATION SPEC: -		
1 PLC ± -		SIZE: A1		
2 PLC ± -		CAGE CODE: 00779		
3 PLC ± 0.13 [.005]		DRAWING NO: 532430		
4 PLC ± -		RESTRICTED TO: -		
ANGLES ± -		WEIGHT: -		
MATERIAL: 1 2		CUSTOMER DRAWING		
FINISH: 3		SCALE: 4:1 SHEET 1 OF 2 REV: N2		

- ① HOUSING MATERIAL: THERMOPLASTIC, COLOR-NATURAL.
- ② CONTACT MATERIAL: PHOSPHOR BRONZE.
- ③ CONTACT FINISH: .00127-.00254 [.000050-.000100] NICKEL UNDERPLATE ALL OVER; .00076 [.000030] GOLD PLATE IN CONTACT AREA, TIN-LEAD PLATED POSTS.
- ④ SOLDER PIN POST RECOMMENDED P.C. BOARD HOLE SIZES ARE 0.94-1.09 [.037-.043]; RECOMMENDED PAD DIA IS 1.52 [.060].
- 5. DIMENSIONS IN BRACKETS ARE IN INCHES.
- ⑥ PART NUMBER IS OBSOLETE.
- ⑦ OBSOLETE PARTS: OBSOLETE CIS STREAMLINING PER D.RENAUD/D.SINISI

⑥	251.46 [9.900]	-99	255.27 [10.050]	265.43 [10.450]	273.05 [10.750]	-200	1-532430-9
⑥	238.76 [9.400]	-94	242.57 [9.550]	252.73 [9.950]	260.35 [10.250]	-190	1-532430-8
⑥	226.06 [8.900]	-89	229.87 [9.050]	240.03 [9.450]	247.65 [9.750]	-180	1-532430-7
⑥	213.36 [8.400]	-84	217.17 [8.550]	227.33 [8.950]	234.95 [9.250]	-170	1-532430-6
⑥	200.66 [7.900]	-79	204.47 [8.050]	214.63 [8.450]	222.25 [8.750]	-160	1-532430-5
	187.96 [7.400]	74	191.77 [7.550]	201.93 [7.950]	209.55 [8.250]	150	1-532430-4
⑥	175.26 [6.900]	69	179.07 [7.050]	189.23 [7.450]	196.85 [7.750]	140	1-532430-3
⑥	162.56 [6.400]	-64	166.37 [6.550]	176.53 [6.950]	184.15 [7.250]	-130	1-532430-2
⑥	149.86 [5.900]	-59	153.67 [6.050]	163.83 [6.450]	171.45 [6.750]	-120	1-532430-1
	137.16 [5.400]	54	140.97 [5.550]	151.13 [5.950]	158.75 [6.250]	110	1-532430-0
	124.46 [4.900]	49	128.27 [5.050]	138.43 [5.450]	146.05 [5.750]	100	532430-9
⑥	111.76 [4.400]	-44	115.57 [4.550]	125.73 [4.950]	133.35 [5.250]	-90	532430-8
⑥	99.06 [3.900]	39	102.87 [4.050]	113.03 [4.450]	120.65 [4.750]	80	532430-7
⑥	86.36 [3.400]	-34	90.17 [3.550]	100.33 [3.950]	107.95 [4.250]	-70	532430-6
	73.66 [2.900]	29	77.47 [3.050]	87.63 [3.450]	95.25 [3.750]	60	532430-5
⑥	60.96 [2.400]	-24	64.77 [2.550]	74.93 [2.950]	82.55 [3.250]	-50	532430-4
	48.26 [1.900]	19	52.07 [2.050]	62.23 [2.450]	69.85 [2.750]	40	532430-3
⑦	35.56 [1.400]	14	39.37 [1.550]	49.53 [1.950]	57.15 [2.250]	30	532430-2
⑥	22.86 [.900]	-9	26.67 [1.050]	36.83 [1.450]	44.45 [1.750]	-20	532430-1
		E	D	C	B	A	POSN PART NUMBER

⑦ OBSOLETE

THIS DRAWING IS A CONTROLLED DOCUMENT.		DIN R.K. SEIFRIED 04/09/90 CHK F. KIBLER 8-17-92		Tyco Electronics Corporation Harrisburg, PA 17105-3608	
DIMENSIONS: mm [INCHES]		TOLERANCES UNLESS OTHERWISE SPECIFIED:		NAME	
0 PLC ± -		1 PLC ± -		HDI, 2 ROW, PIN ASSEMBLY, 4.83 [.190] LONG SOLDER PINS, .00076 [.000030] GOLD PLATE	
2 PLC ± -		3 PLC ± 0.13 [.005]		PRODUCT SPEC	
4 PLC ± -		ANGLES ± -		APPLICATION SPEC	
MATERIAL		FINISH		SIZE	
①②		③		A1 00779 532430	
CUSTOMER DRAWING		SCALE 4:1		SHEET 2 OF 2	