



Chipsmall Limited consists of a professional team with an average of over 10 year of expertise in the distribution of electronic components. Based in Hongkong, we have already established firm and mutual-benefit business relationships with customers from,Europe,America and south Asia,supplying obsolete and hard-to-find components to meet their specific needs.

With the principle of “Quality Parts,Customers Priority,Honest Operation,and Considerate Service”,our business mainly focus on the distribution of electronic components. Line cards we deal with include Microchip,ALPS,ROHM,Xilinx,Pulse,ON,Everlight and Freescale. Main products comprise IC,Modules,Potentiometer,IC Socket,Relay,Connector.Our parts cover such applications as commercial,industrial, and automotives areas.

We are looking forward to setting up business relationship with you and hope to provide you with the best service and solution. Let us make a better world for our industry!



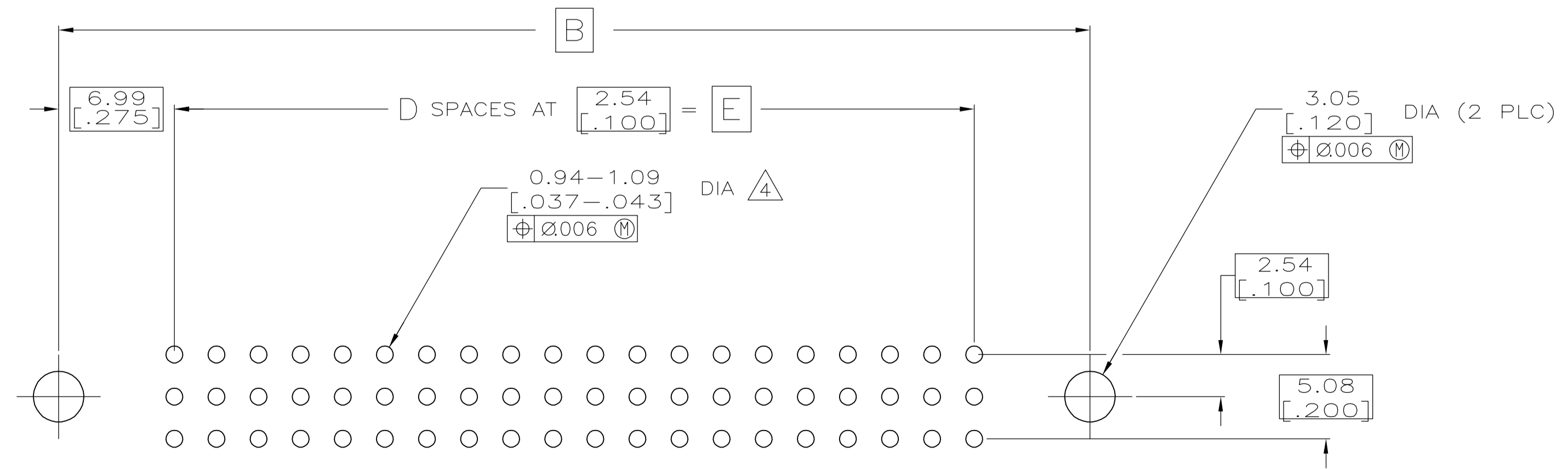
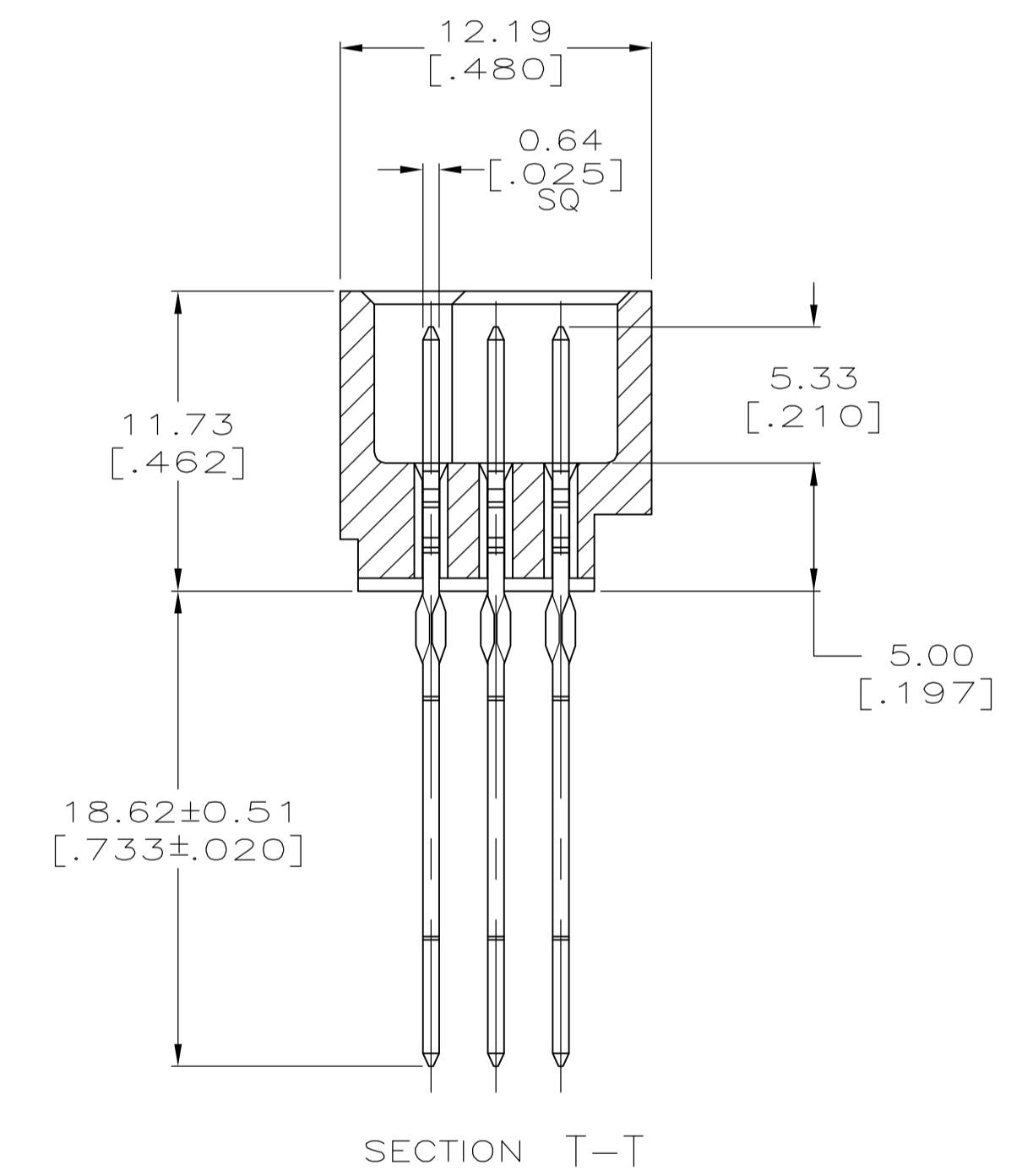
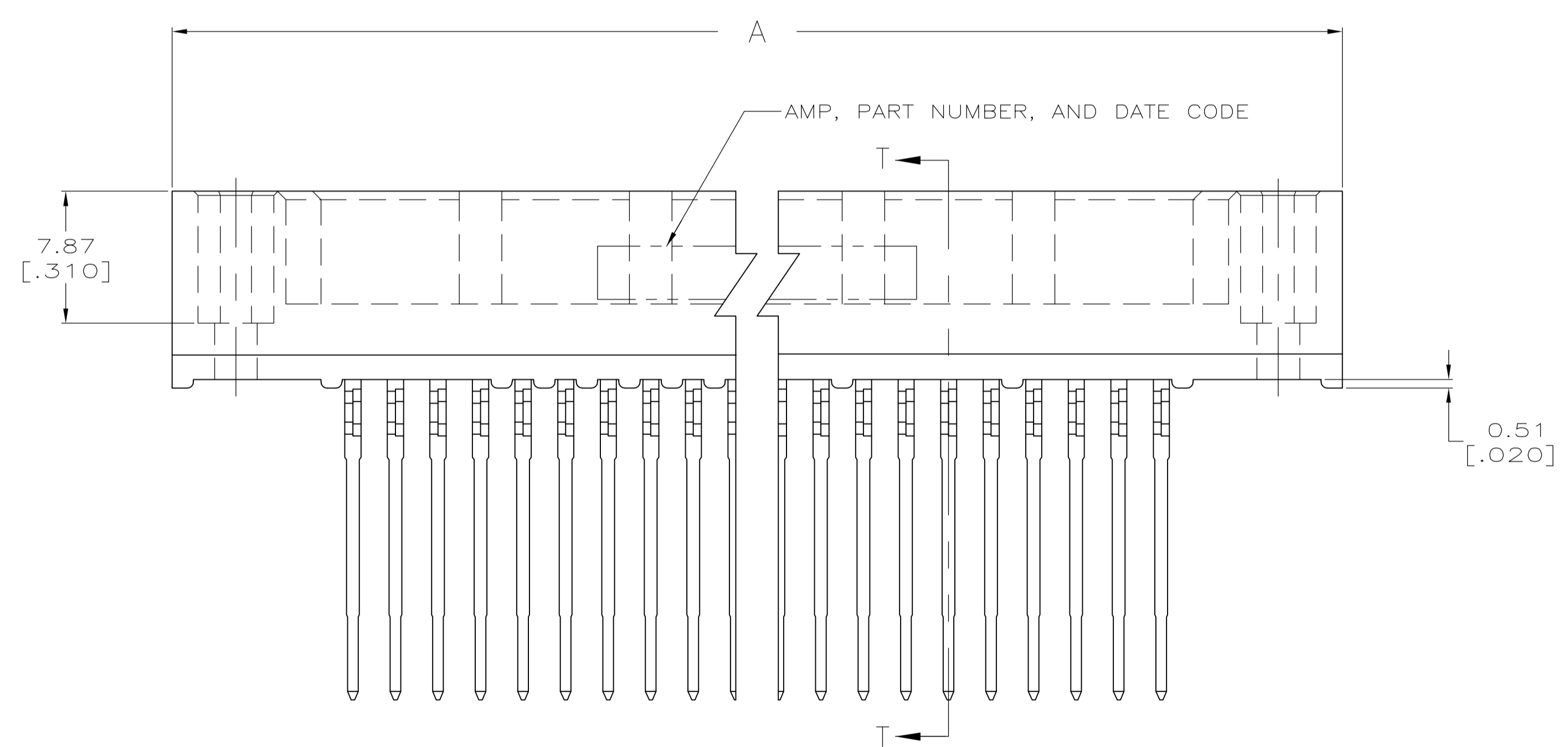
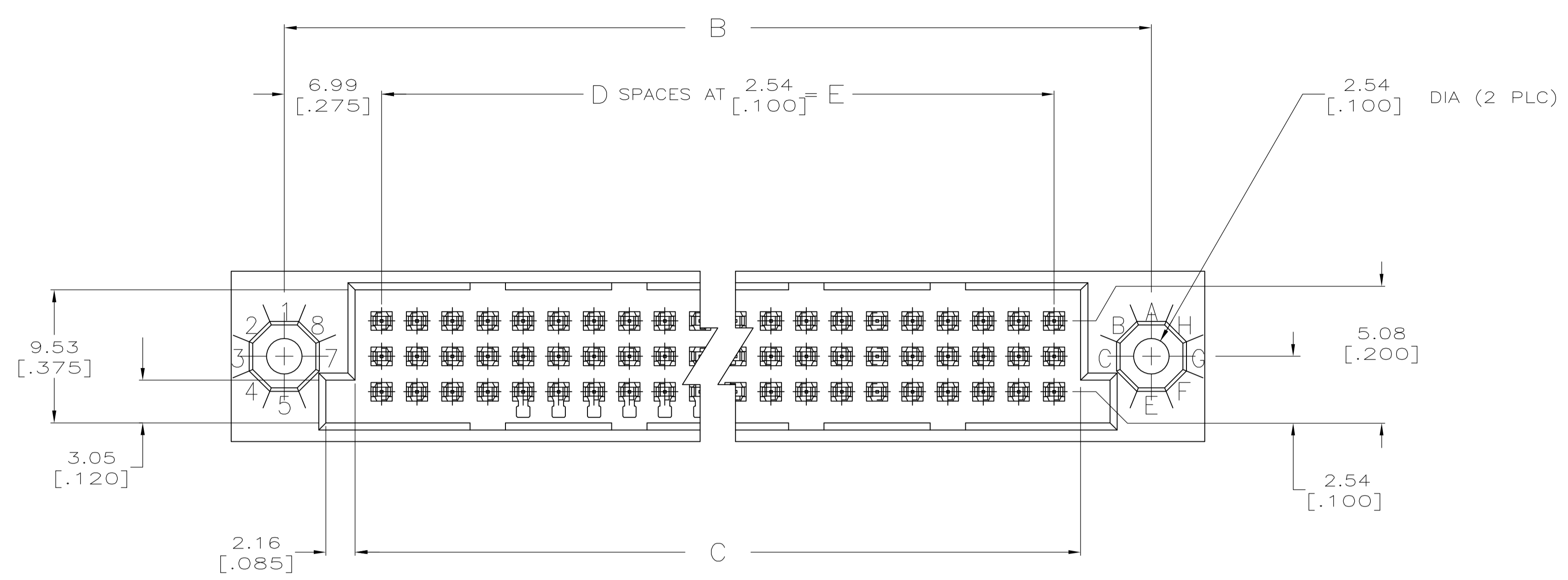
Contact us

Tel: +86-755-8981 8866 Fax: +86-755-8427 6832

Email & Skype: info@chipsmall.com Web: www.chipsmall.com

Address: A1208, Overseas Decoration Building, #122 Zhenhua RD., Futian, Shenzhen, China





RECOMMENDED P.C. BOARD LAYOUT

THIS DRAWING IS A CONTROLLED DOCUMENT.		DIN R.K. SEIFRIED 03/26/90		Tyco Electronics Corporation
		CHK F. KIBLER 8-18-92		Harrisburg, PA 17105-3608
DIMENSIONS: mm [INCHES]	TOLERANCES UNLESS OTHERWISE SPECIFIED:	APVD	NAME	HDI, 3 ROW, PIN ASSEMBLY, 18.62 [.733] LONG ACTION PINS, .00076 [.000030] GOLD PLATE
0 PLC ± -	1 PLC ± -	PRODUCT SPEC	SIZE	A1
2 PLC ± -	3 PLC ± 0.13 [.005]	APPLICATION SPEC	WEIGHT	00779C=532432
4 PLC ± -	ANGLES ± -	FINISH	CUSTOMER DRAWING	SCALE 4:1 SHEET 1 OF 2 REV N

- ① HOUSING MATERIAL: THERMOPLASTIC, COLOR-BLACK.
- ② CONTACT MATERIAL: PHOSPHOR BRONZE.
- ③ CONTACT FINISH: .00127-.00254 [.000050-.000100] NICKEL UNDERPLATE ALL OVER; .00076 [.000030] GOLD PLATE IN CONTACT AREA, TIN-LEAD PLATED POSTS.
- ④ ACTION PIN POSTS REQUIRE 2.36 [.093] MIN THICK P.C. BOARD. RECOMMENDED P.C. BOARD HOLES ARE 1.151 [.0453] DIA PLATED THRU WITH 0.025-0.076 [.001-.003] COPPER, WITH 0.0076 [.0003] MIN TIN-LEAD PLATING; FINISHED HOLE AFTER PLATING 0.94-1.09 [.037-.043] DIA.
- 5. DIMENSIONS IN BRACKETS ARE IN INCHES.
- ⑥ HOUSINGS WITH CENTER MOUNTING IS RECOMMENDED FOR ASSEMBLIES HAVING 75 CONTACTS PER ROW OR MORE.
- ⑦ PART NUMBER IS OBSOLETE.

⑥⑦	—	—	—	—	—	—	2-532432-0
⑥⑦	—	—	—	—	—	—	1-532432-9
⑥⑦	—	—	—	—	—	—	1-532432-8
⑥⑦	—	—	—	—	—	—	1-532432-7
⑥⑦	—	—	—	—	—	—	1-532432-6
⑥⑦	—	—	—	—	—	—	1-532432-5
⑥⑦	—	—	—	—	—	—	1-532432-4
⑥⑦	—	—	—	—	—	—	1-532432-3
④	187.96 [7.400]	74	191.77 [7.550]	201.93 [7.950]	209.55 [8.250]	225	1-532432-2
④	175.26 [6.900]	69	179.07 [7.050]	189.23 [7.450]	196.85 [7.750]	210	1-532432-1
④	—	—	—	—	—	—	1-532432-0
④	149.86 [5.900]	59	153.67 [6.050]	163.83 [6.450]	171.45 [6.750]	180	532432-9
④	137.16 [5.400]	54	140.97 [5.550]	151.13 [5.950]	158.75 [6.250]	165	532432-8
④	—	—	—	—	—	—	532432-7
④	—	—	—	—	—	—	532432-6
④	99.06 [3.900]	39	102.87 [4.050]	113.03 [4.450]	120.65 [4.750]	120	532432-5
④	—	—	—	—	—	—	532432-4
④	78.74 [3.100]	31	82.55 [3.250]	92.71 [3.650]	100.33 [3.950]	96	532432-3
④	—	—	—	—	—	—	532432-2
④	—	—	—	—	—	—	532432-1
	E	D	C	B	A	POSN	PART NUMBER

THIS DRAWING IS A CONTROLLED DOCUMENT.		DWG R. K. SEIFRIED 8-18-92	03/26/90	Tyco Electronics Corporation Harrisburg, PA 17105-3608	
DIMENSIONS: mm [INCHES]		CHK F. KIBLER	APVD —	NAME HDI, 3 ROW, PIN ASSEMBLY, 18.62 [.733] LONG ACTION PINS, .00076 [.000030] GOLD PLATE	
TOLERANCES UNLESS OTHERWISE SPECIFIED: 0 PL ± — 1 PL ± — 2 PL ± — 3 PL ± 0.13 [.005] 4 PL ± — ANGLES ± —		PRODUCT SPEC — APPLICATION SPEC —		SIZE A1	
MATERIAL ①②	FINISH ③	WEIGHT —	CAGE CODE 00779	DRAWING NO 532432	RESTRICTED TO —
CUSTOMER DRAWING			SCALE 4:1	SHEET 2 OF 2	REV N