



Chipsmall Limited consists of a professional team with an average of over 10 year of expertise in the distribution of electronic components. Based in Hongkong, we have already established firm and mutual-benefit business relationships with customers from,Europe,America and south Asia,supplying obsolete and hard-to-find components to meet their specific needs.

With the principle of “Quality Parts,Customers Priority,Honest Operation,and Considerate Service”,our business mainly focus on the distribution of electronic components. Line cards we deal with include Microchip,ALPS,ROHM,Xilinx,Pulse,ON,Everlight and Freescale. Main products comprise IC,Modules,Potentiometer,IC Socket,Relay,Connector.Our parts cover such applications as commercial,industrial, and automotives areas.

We are looking forward to setting up business relationship with you and hope to provide you with the best service and solution. Let us make a better world for our industry!



## Contact us

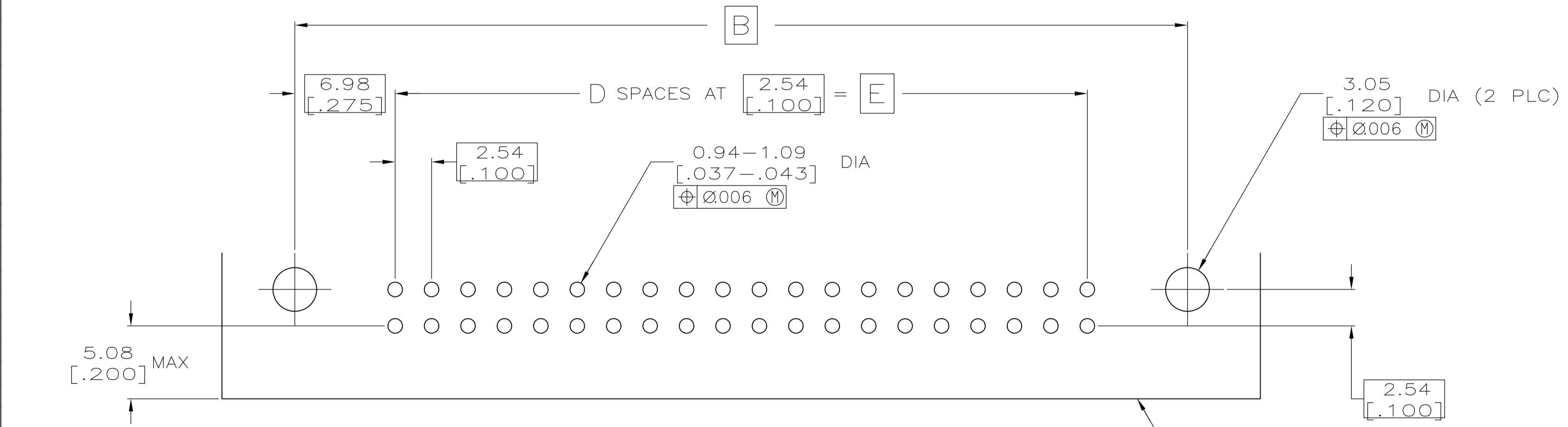
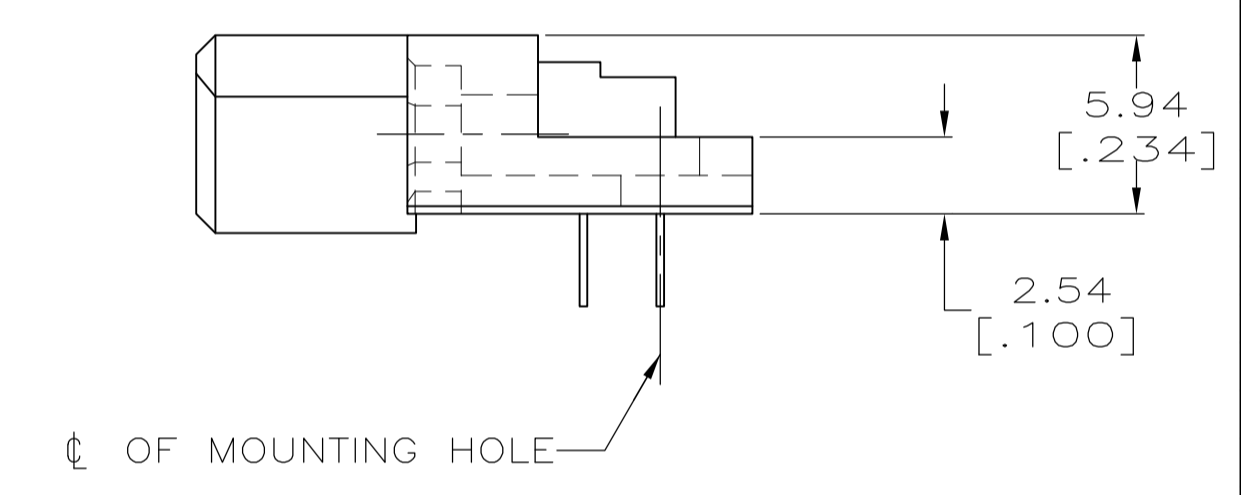
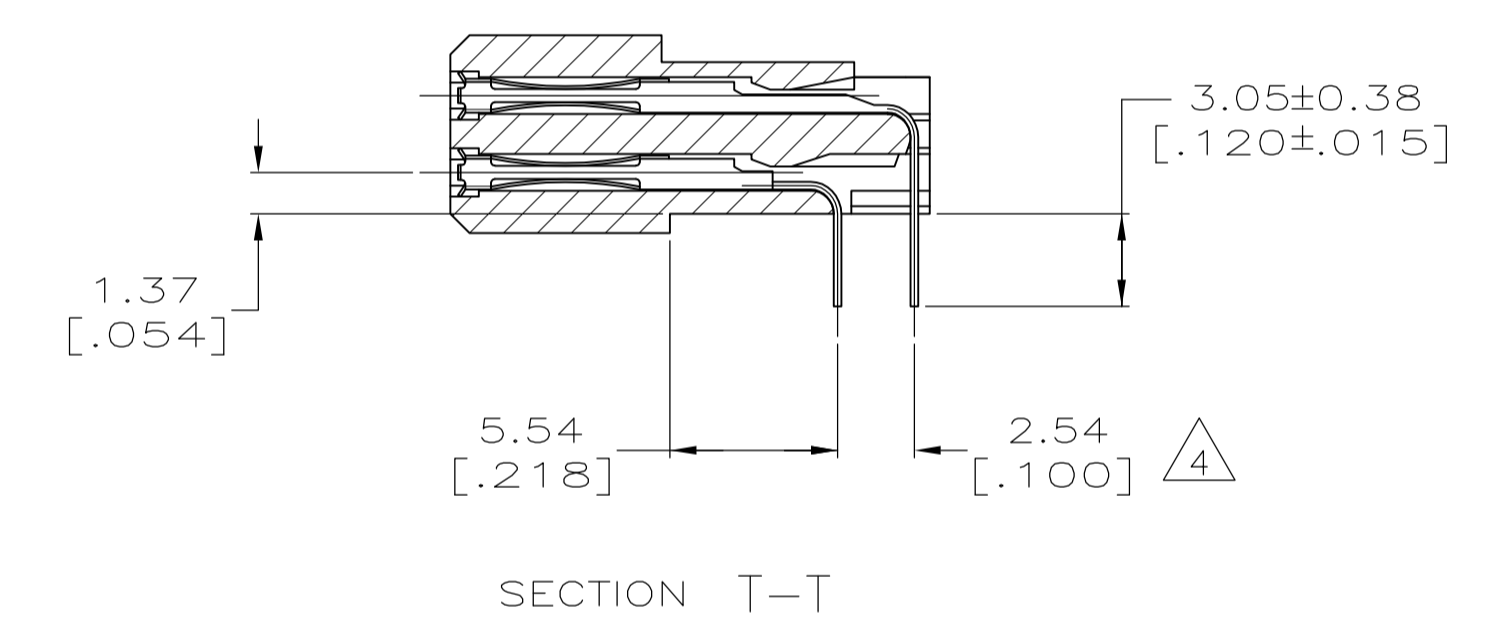
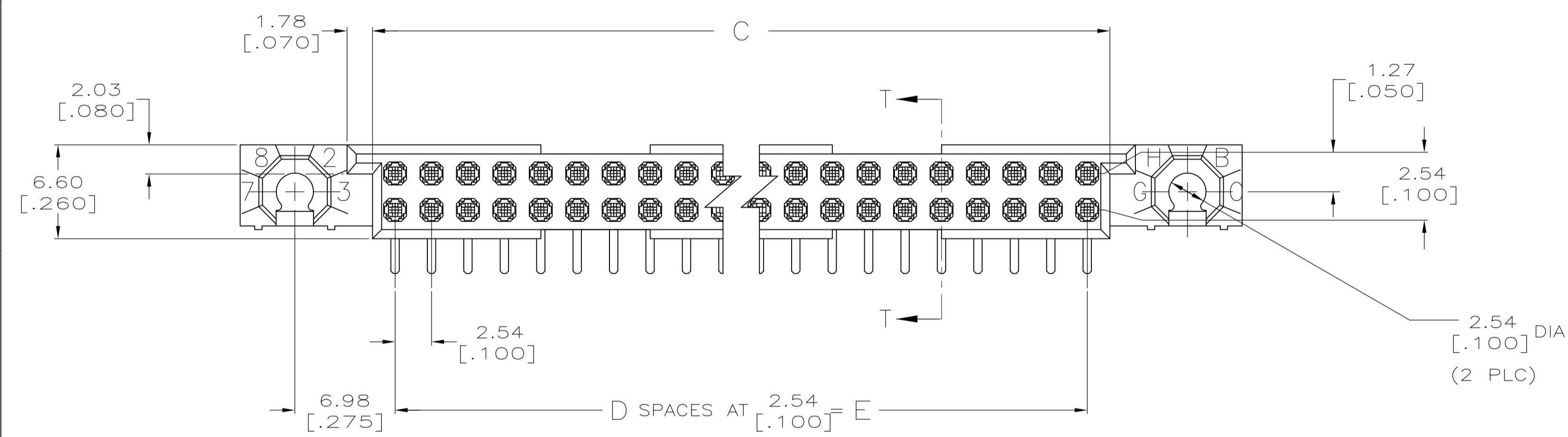
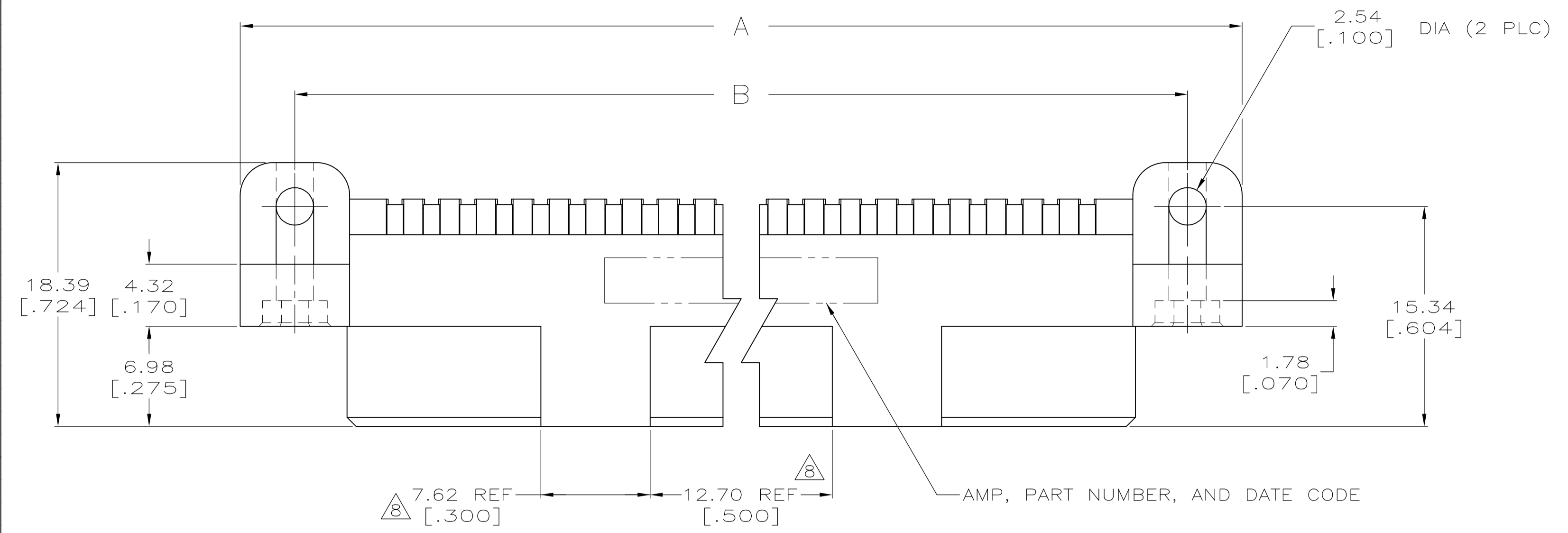
Tel: +86-755-8981 8866 Fax: +86-755-8427 6832

Email & Skype: info@chipsmall.com Web: www.chipsmall.com

Address: A1208, Overseas Decoration Building, #122 Zhenhua RD., Futian, Shenzhen, China



| LOC |     | DIST                        |         | REVISONS |      |  |  |
|-----|-----|-----------------------------|---------|----------|------|--|--|
| P   | LTR | DESCRIPTION                 | DATE    | DMN      | APVD |  |  |
| P   |     | REVISED PER EC 0512-0287-05 | 10DEC05 | JDP      | AMS  |  |  |
| P1  |     | REVISED PER ECO-09-021826   | 08JAN10 | KK       | AEG  |  |  |



|  |                     |                            |   |        |
|--|---------------------|----------------------------|---|--------|
| THIS DRAWING IS A CONTROLLED DOCUMENT. |                     | DIN R.K. SEIFRIED 06/18/90 | Tyco Electronics Corporation<br>Harrisburg, PA 17105-3608 |        |
| DIMENSIONS: mm [INCHES]                |                     | CHK J.D.WEARY 02/20/92     | NAME  |        |
| TOLERANCES UNLESS OTHERWISE SPECIFIED: |                     | PRODUCT SPEC               |   |        |
| 0 PLC ± -                              | 1 PLC ± -           | APPLICATION SPEC           |   |        |
| 2 PLC ± -                              | 3 PLC ± 0.13 [.005] | SIZE CASE CODE DRAWING NO  |   |        |
| 4 PLC ± -                              | ANGLES ± -          | RESTRICTED TO              |   |        |
| MATERIAL                               | FINISH              | WEIGHT                     | A1 00779 C=532825   |        |
| CUSTOMER DRAWING                       |                     | SCALE 4:1                  | SHEET 1 OF 2  | REV P1 |

- ① HOUSING MATERIAL: THERMOPLASTIC, COLOR-NATURAL.
- ② CONTACT MATERIAL: COPPER ALLOY.
- ③ CONTACT FINISH: .00127-.00254 [.000050-.000100] NICKEL UNDERPLATE ALL OVER; .00076 [.000030] GOLD PLATE IN CONTACT AREA, TIN-LEAD PLATED SOLDER TAILS.
- ④ SOLDER TAILS MUST FIT HOLE PATTERN AS SHOWN ON THE RECOMMENDED P.C. BOARD LAYOUT.
- 5. DIMENSIONS IN BRACKETS ARE IN INCHES.
- ⑥ HOUSINGS WITH CENTER MOUNTING IS RECOMMENDED FOR ASSEMBLIES HAVING 75 CONTACTS PER ROW OR MORE.
- ⑦ PART NUMBER IS OBSOLETE.
- ⑧ QUANTITIES OF VOID CORING ARE DEPENDENT ON THE POSITION SIZE OF THE HOUSING.
- ⑨ OBSOLETE PARTS: OBSOLETE CIS STREAMLINING PER D.RENAUD/D.SINISI

| ⑥⑦         | ---               | --- | ---               | ---               | ---                | --- | 2-532825-0          |
|------------|-------------------|-----|-------------------|-------------------|--------------------|-----|---------------------|
| ⑥⑦         | ---               | --- | ---               | ---               | ---                | --- | 1-532825-9          |
| ⑥          | 238.76<br>[9.400] | 94  | 241.91<br>[9.524] | 252.73<br>[9.950] | 260.35<br>[10.250] | 190 | 1-532825-8          |
| ⑥⑦         | ---               | --- | ---               | ---               | ---                | --- | 1-532825-7          |
| ⑥⑦         | ---               | --- | ---               | ---               | ---                | --- | 1-532825-6          |
| ⑥⑦         | 200.66<br>[7.900] | 79  | 203.81<br>[8.024] | 214.63<br>[8.450] | 222.25<br>[8.750]  | 160 | 1-532825-5          |
|            | 187.96<br>[7.400] | 74  | 191.11<br>[7.524] | 201.93<br>[7.950] | 209.55<br>[8.250]  | 150 | 1-532825-4          |
| ⑦          | 175.26<br>[6.900] | 69  | 178.41<br>[7.024] | 189.23<br>[7.450] | 196.85<br>[7.750]  | 140 | 1-532825-3          |
| ⑦          | ---               | --- | ---               | ---               | ---                | --- | 1-532825-2          |
| ⑦          | 149.86<br>[5.900] | 59  | 153.01<br>[6.024] | 163.83<br>[6.450] | 171.45<br>[6.750]  | 120 | 1-532825-1          |
| ⑦          | ---               | --- | ---               | ---               | ---                | --- | 1-532825-0          |
| ⑨ OBSOLETE | 124.46<br>[4.900] | 49  | 127.61<br>[5.024] | 138.43<br>[5.450] | 146.05<br>[5.750]  | 100 | <del>532825-9</del> |
| ⑦          | 111.76<br>[4.400] | 44  | 114.91<br>[4.524] | 125.73<br>[4.950] | 133.35<br>[5.250]  | 90  | 532825-8            |
| ⑦          | 99.06<br>[3.900]  | 39  | 102.21<br>[4.024] | 113.03<br>[4.450] | 120.65<br>[4.750]  | 80  | 532825-7            |
| ⑦          | 86.36<br>[3.400]  | 34  | 89.51<br>[3.524]  | 100.33<br>[3.950] | 107.95<br>[4.250]  | 70  | 532825-6            |
| ⑦          | 73.66<br>[2.900]  | 29  | 76.81<br>[3.024]  | 87.63<br>[3.450]  | 95.25<br>[3.750]   | 60  | 532825-5            |
| ⑦          | 60.96<br>[2.400]  | 24  | 64.11<br>[2.524]  | 74.93<br>[2.950]  | 82.55<br>[3.250]   | 50  | 532825-4            |
| ⑨ OBSOLETE | 48.26<br>[1.900]  | 19  | 51.41<br>[2.024]  | 62.23<br>[2.450]  | 69.85<br>[2.750]   | 40  | <del>532825-3</del> |
| ⑦          | 35.56<br>[1.400]  | 14  | 38.71<br>[1.524]  | 49.53<br>[1.950]  | 57.15<br>[2.250]   | 30  | 532825-2            |
| ⑦          | 22.86<br>[.900]   | 9   | 26.01<br>[1.024]  | 36.83<br>[1.450]  | 44.45<br>[1.750]   | 20  | 532825-1            |
|            |                   | E   | D                 | C                 | B                  | A   | POSN PART NUMBER    |

|  |                      |                                  |   |
|--|----------------------|----------------------------------|---|
| THIS DRAWING IS A CONTROLLED DOCUMENT. |                      | DRN<br>R.K. SEIFRIED<br>06/18/90 | Tyco Electronics Corporation<br>Harrisburg, PA 17105-3608   |
| DIMENSIONS: mm [INCHES]                |                      | CHK<br>J.D. WEARY<br>02/20/92    |   |
| TOLERANCES UNLESS OTHERWISE SPECIFIED: |                      | APVD                             | NAME  |
| 0. PLC ± -                             | 1. PLC ± -           | PRODUCT SPEC                     | HOI, 2 ROW, RECEPTACLE ASSEMBLY,<br>3.05 [.120] LONG SOLDER TAILS,<br>.00076 [.000030] GOLD PLATE |
| 2. PLC ± -                             | 3. PLC ± 0.13 [.005] | APPLICATION SPEC                 | SIZE  |
| 4. PLC ± -                             | ANGLES ± -           | WEIGHT                           | CAGE CODE DRAWING NO  |
| MATERIAL                               | FINISH               | CUSTOMER DRAWING                 | A1 00779 532825   |
| SCALE 4:1                              |                      | SHEET 2 OF 2                     | REV P1  |