



Chipsmall Limited consists of a professional team with an average of over 10 year of expertise in the distribution of electronic components. Based in Hongkong, we have already established firm and mutual-benefit business relationships with customers from,Europe,America and south Asia,supplying obsolete and hard-to-find components to meet their specific needs.

With the principle of “Quality Parts,Customers Priority,Honest Operation,and Considerate Service”,our business mainly focus on the distribution of electronic components. Line cards we deal with include Microchip,ALPS,ROHM,Xilinx,Pulse,ON,Everlight and Freescale. Main products comprise IC,Modules,Potentiometer,IC Socket,Relay,Connector.Our parts cover such applications as commercial,industrial, and automotives areas.

We are looking forward to setting up business relationship with you and hope to provide you with the best service and solution. Let us make a better world for our industry!



## Contact us

Tel: +86-755-8981 8866 Fax: +86-755-8427 6832

Email & Skype: info@chipsmall.com Web: www.chipsmall.com

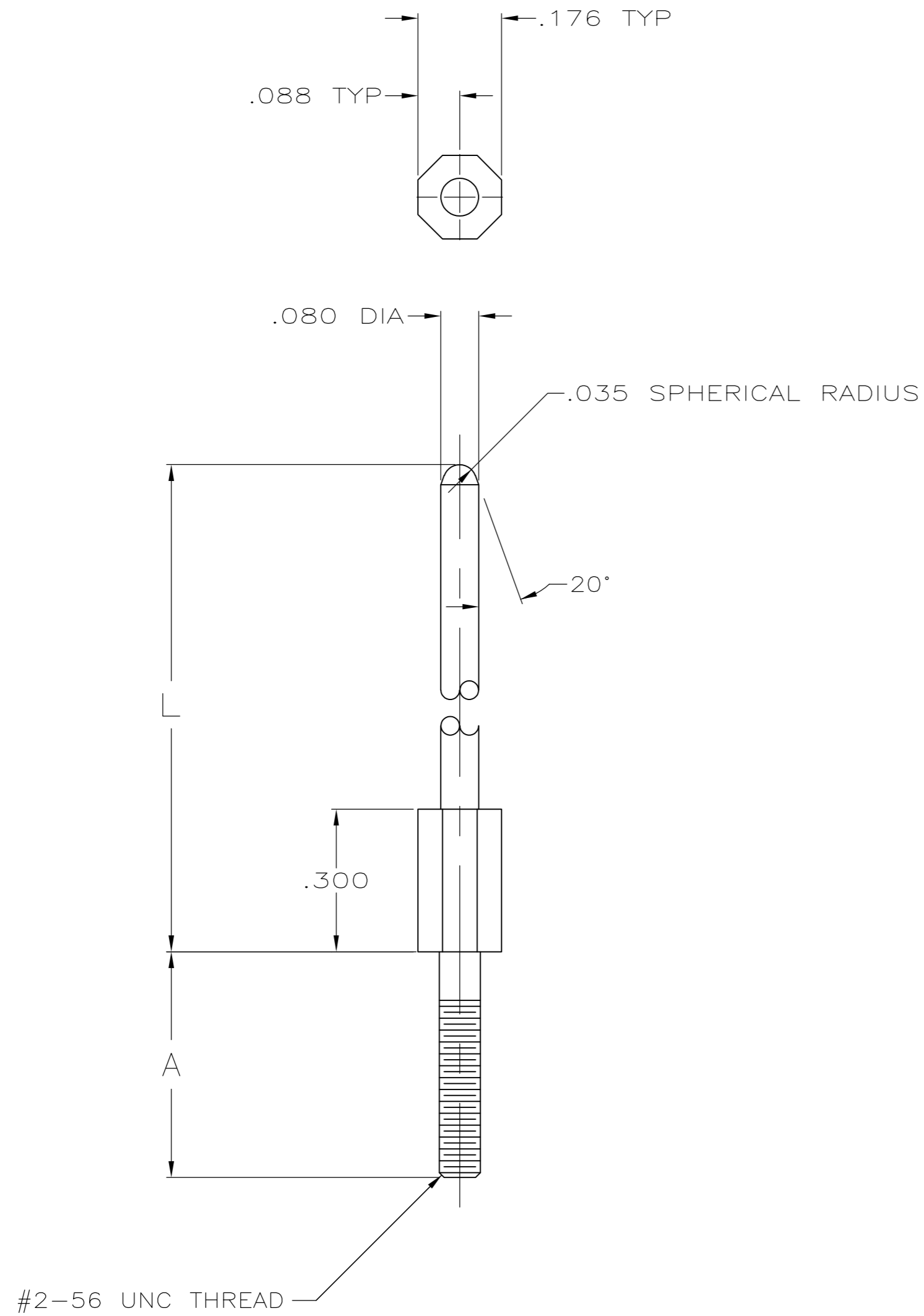
Address: A1208, Overseas Decoration Building, #122 Zhenhua RD., Futian, Shenzhen, China



THIS DRAWING IS UNPUBLISHED. RELEASED FOR PUBLICATION  
 © COPYRIGHT - By - ALL RIGHTS RESERVED.

LOC	DIST	REVISIONS			
P	LTR	DESCRIPTION	DATE	DWN	APVD
AD	00				
	R3	REVISED PER ECO-12-006399	10JUL12	KH	AS

- 1 MATERIAL : BRASS
- 2 FINISH : .000030 GOLD OVER .000050 NICKEL UNDERPLATE.
- 3 FINISH : .000050 GOLD OVER .000050 -.000100 NICKEL UNDERPLATE.
- 4 FINISH : .000050 -.000100 NICKEL PLATE ALL OVER.



STATUS	L	A	FINISH	PART NUMBER
OBSOLETE	1.025	.450	PLAIN	2-533082-0
OBSOLETE	.750	.475	2	1-533082-9
OBSOLETE	.820	.560	PLAIN	1-533082-8
OBSOLETE	.750	.475	PLAIN	1-533082-7
OBSOLETE	1.195	.690	2	1-533082-6
OBSOLETE	1.195	.690	PLAIN	1-533082-5
OBSOLETE	.850	.560	2	1-533082-4
OBSOLETE	.850	.560	PLAIN	1-533082-3
OBSOLETE	1.195	.475	4	1-533082-2
	1.025	.560	2	1-533082-1
	1.025	.560	PLAIN	1-533082-0
	1.025	.475	2	533082-9
	1.025	.475	PLAIN	533082-8
	1.195	.475	PLAIN	533082-7
	1.195	.475	2	533082-6
OBSOLETE	1.025	.375	3	533082-5
	1.195	.375	2	533082-4
	1.025	.375	2	533082-3
	1.195	.375	PLAIN	533082-2
	1.025	.375	PLAIN	533082-1
	L	A	FINISH	PART NUMBER

THIS DRAWING IS A CONTROLLED DOCUMENT.		DWN DAVID HOFFMAN 03/20/90	<b>STE</b> TE Connectivity	
DIMENSIONS: INCHES		CHK J.D.WEARY 02/07/92		
TOLERANCES UNLESS OTHERWISE SPECIFIED:		APVD -	NAME	
0 PLC ± -		PRODUCT SPEC	AMP-HDI SERIES 100 KEYING POWER PIN	
1 PLC ± -		APPLICATION SPEC	SIZE	RESTRICTED TO
2 PLC ± -			CAGE CODE	
3 PLC ± .005			DRAWING NO	
4 PLC ± -			00779	
ANGLES ± -		WEIGHT	C=533082	
FINISH				
1	2 3 4	CUSTOMER DRAWING	SCALE 4:1	SHEET 1 of 1
				REV R3