



Chipsmall Limited consists of a professional team with an average of over 10 year of expertise in the distribution of electronic components. Based in Hongkong, we have already established firm and mutual-benefit business relationships with customers from,Europe,America and south Asia,supplying obsolete and hard-to-find components to meet their specific needs.

With the principle of "Quality Parts,Customers Priority,Honest Operation,and Considerate Service",our business mainly focus on the distribution of electronic components. Line cards we deal with include Microchip,ALPS,ROHM,Xilinx,Pulse,ON,Everlight and Freescale. Main products comprise IC,Modules,Potentiometer,IC Socket,Relay,Connector.Our parts cover such applications as commercial,industrial, and automotives areas.

We are looking forward to setting up business relationship with you and hope to provide you with the best service and solution. Let us make a better world for our industry!



Contact us

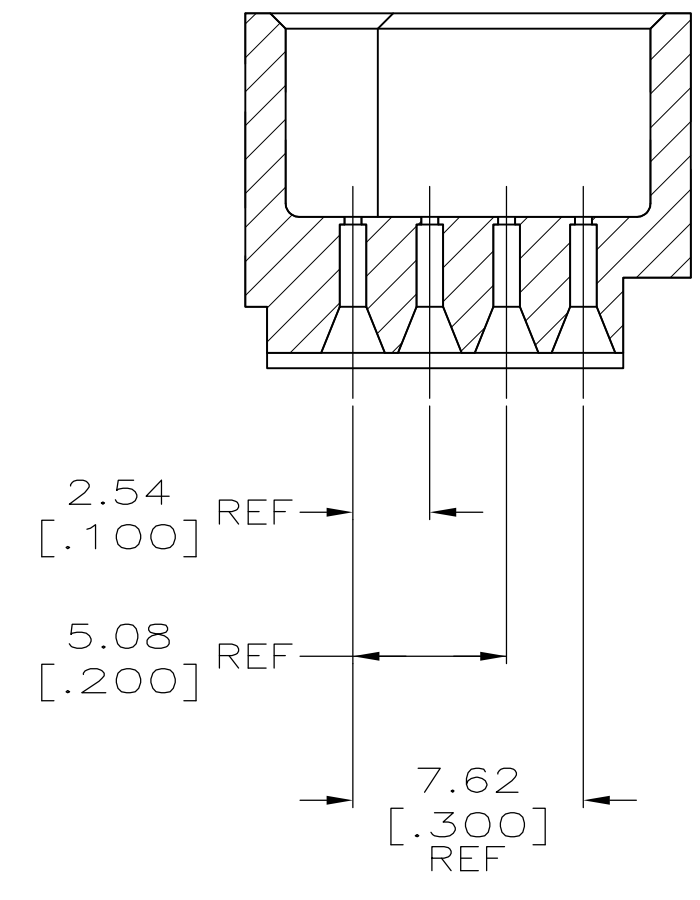
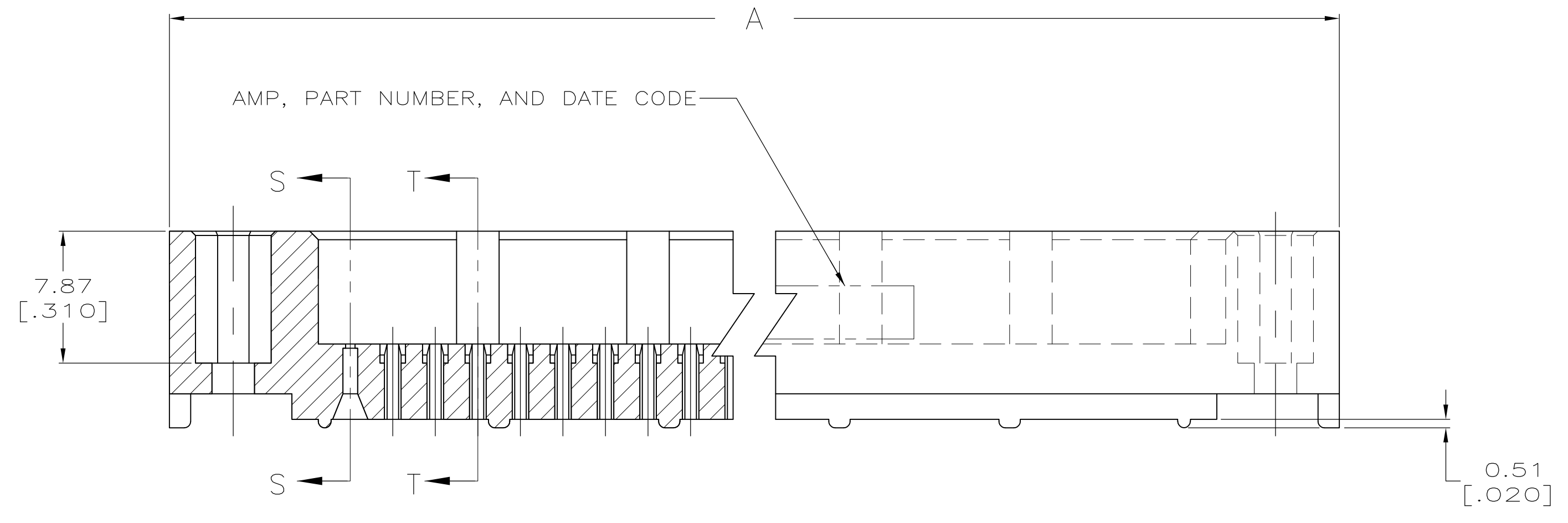
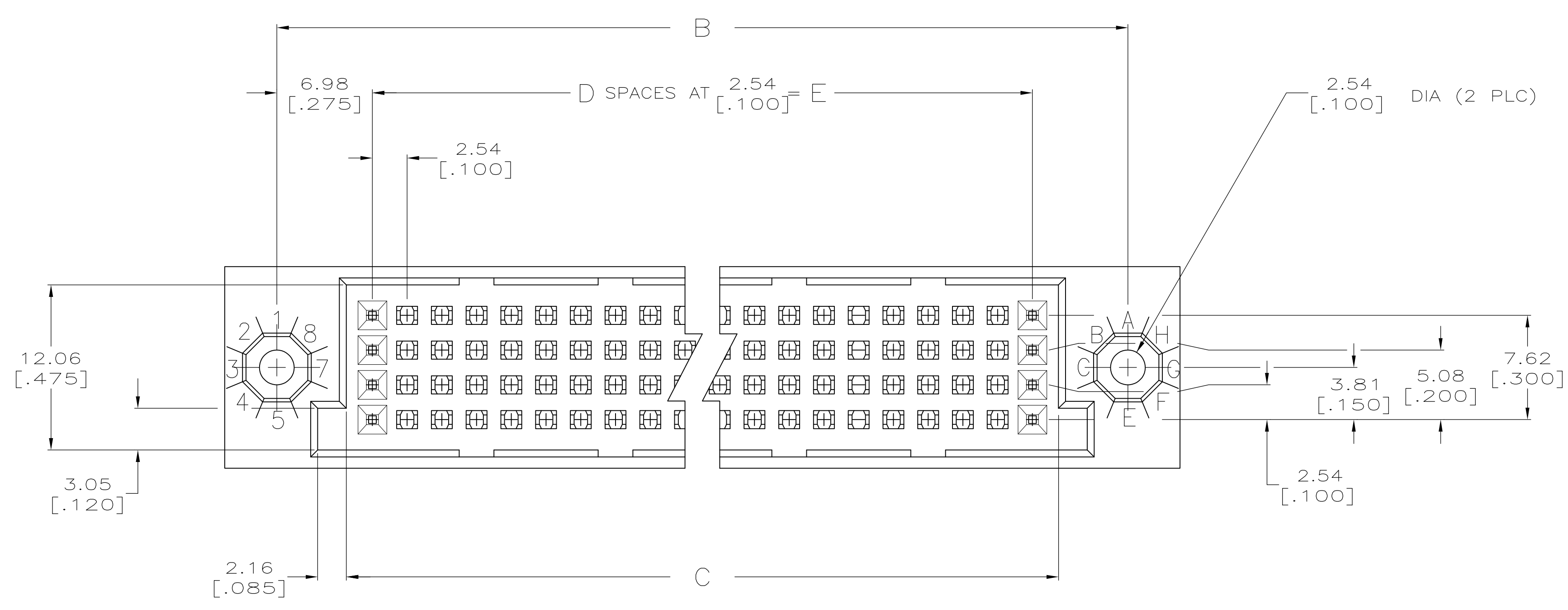
Tel: +86-755-8981 8866 Fax: +86-755-8427 6832

Email & Skype: info@chipsmall.com Web: www.chipsmall.com

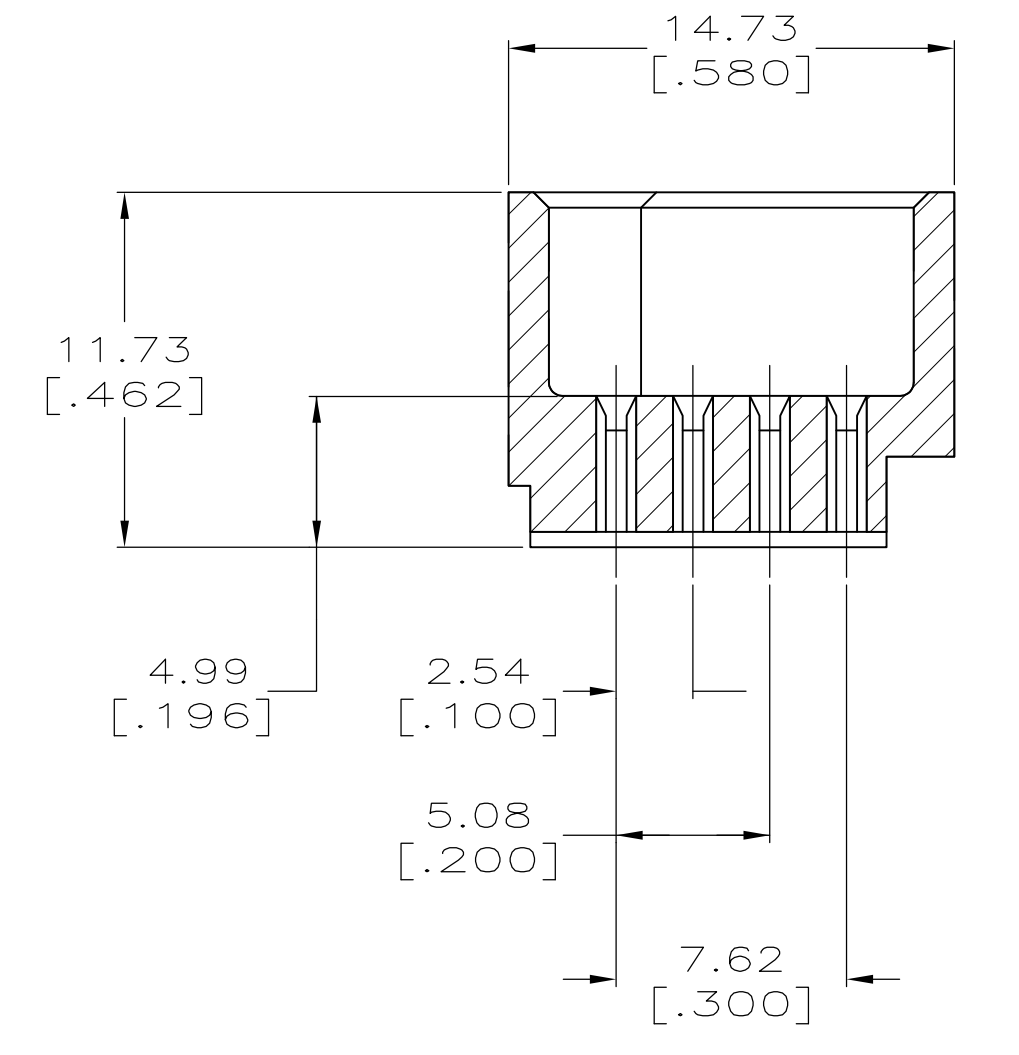
Address: A1208, Overseas Decoration Building, #122 Zhenhua RD., Futian, Shenzhen, China



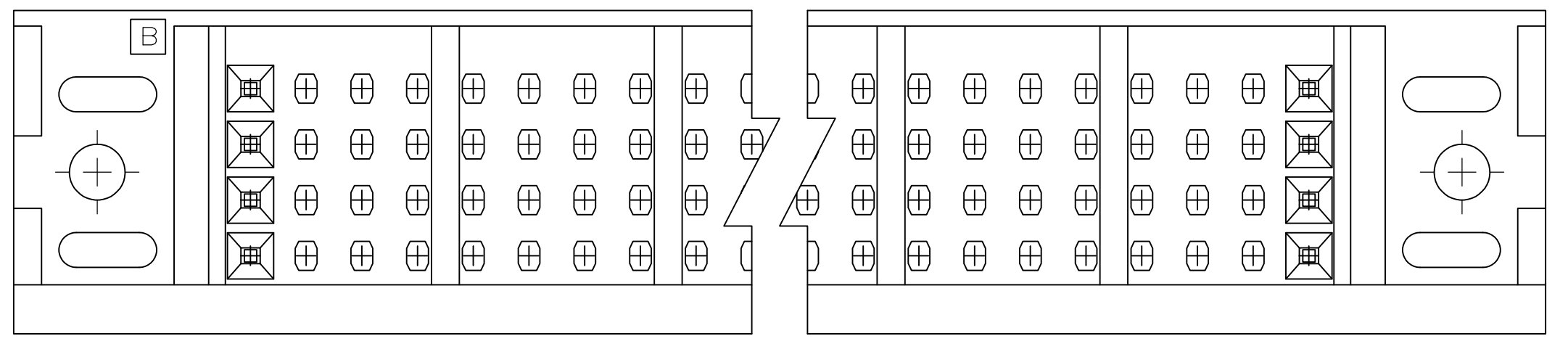
LOC		DIST		REVISIONS			
P	LTR	DESCRIPTION	DATE	DNW	APVD		
R		REVISED PER ECN 0512-0287-05	15MAY06	JDP	AMS		
R1		REVISED PER ECO-09-021510	12SEP09	KK	AEG		



SECTION S-S



SECTION T-T



THIS DRAWING IS A CONTROLLED DOCUMENT.		DIN R.K. SEIFRIED 9-17-93	04/24/90		Tyco Electronics Corporation Harrisburg, PA 17105-3608	
DIMENSIONS: mm [INCHES]		CHK G. SKIPPER 9-17-93			NAME HDI, 4 ROW, PIN SHROUD	
TOLERANCES UNLESS OTHERWISE SPECIFIED:		APVD G. SKIPPER 9-17-93		PRODUCT SPEC		
0 PLC ± - 1 PLC ± - 2 PLC ± - 3 PLC ± 0.13 [0.005] 4 PLC ± - ANGLES ± -		APPLICATION SPEC		SIZE A1		RESTRICTED TO
MATERIAL		WEIGHT		CAGE CODE 00779		DRAWING NO. 533562
FINISH		CUSTOMER DRAWING		SCALE 4:1		SHEET 1 OF 2
						REV R1

- ① HOUSING MATERIAL: THERMOPLASTIC, COLOR-NATURAL.
- 2. DIMENSIONS IN BRACKETS ARE IN INCHES.
- ③ PART NUMBER IS OBSOLETE.
- ④ OBSOLETE PARTS: OBSOLETE CIS STREAMLINING PER D.RENAUD/D.SINISI

③	200.66 [7.900]	79	204.47 [8.050]	214.63 [8.450]	222.25 [8.750]	320	2-533562-6
④ OBSOLETE	187.96 [7.400]	74	191.77 [7.550]	201.93 [7.950]	209.55 [8.250]	300	1-533562-2
③	175.26 [6.900]	69	179.07 [7.050]	189.23 [7.450]	196.85 [7.750]	280	1-533562-1
③	162.56 [6.400]	64	166.37 [6.550]	176.53 [6.950]	184.15 [7.250]	260	1-533562-0
③	149.86 [5.900]	59	153.67 [6.050]	163.83 [6.450]	171.45 [6.750]	240	533562-9
③	137.16 [5.400]	54	140.97 [5.550]	151.13 [5.950]	158.75 [6.250]	220	533562-8
③	124.46 [4.900]	49	128.27 [5.050]	138.43 [5.450]	146.05 [5.750]	200	533562-7
③	111.76 [4.400]	44	115.57 [4.550]	125.73 [4.950]	133.35 [5.250]	180	533562-6
	99.06 [3.900]	39	102.87 [4.050]	113.03 [4.450]	120.65 [4.750]	160	533562-5
③	86.36 [3.400]	34	90.17 [3.550]	100.33 [3.950]	107.95 [4.250]	140	533562-4
③	78.74 [3.100]	31	82.55 [3.250]	92.71 [3.650]	100.33 [3.950]	128	533562-3
④ OBSOLETE	73.66 [2.900]	29	77.47 [3.050]	87.63 [3.450]	95.25 [3.750]	120	533562-2
③	60.96 [2.400]	24	64.77 [2.550]	74.93 [2.950]	82.55 [3.250]	100	533562-1
	E	D	C	B	A	POSN	PART NO.

THIS DRAWING IS A CONTROLLED DOCUMENT.		DIN	04/24/90		Tyco Electronics Corporation	
		R. K. SEIFRIED	9-17-93		Harrisburg, PA 17105-3608	
DIMENSIONS: mm [INCHES]		CHK	9-17-93	NAME		
TOLERANCES UNLESS OTHERWISE SPECIFIED:		G. SKIPPER	9-17-93	HDI, 4 ROW, PIN SHROUD		
0. PLC ± -		APVD		PRODUCT SPEC		
1. PLC ± -		G. SKIPPER		APPLICATION SPEC		
2. PLC ± -				SIZE	CAGE CODE	DRAWING NO
3. PLC ± 0.13 [.005]				A1	00779	533562
4. PLC ± -			WEIGHT			
ANGLES ± -			CUSTOMER DRAWING		SCALE 4:1 SHEET 2 OF 2 REV 1	