



Chipsmall Limited consists of a professional team with an average of over 10 year of expertise in the distribution of electronic components. Based in Hongkong, we have already established firm and mutual-benefit business relationships with customers from,Europe,America and south Asia,supplying obsolete and hard-to-find components to meet their specific needs.

With the principle of “Quality Parts,Customers Priority,Honest Operation,and Considerate Service”,our business mainly focus on the distribution of electronic components. Line cards we deal with include Microchip,ALPS,ROHM,Xilinx,Pulse,ON,Everlight and Freescale. Main products comprise IC,Modules,Potentiometer,IC Socket,Relay,Connector.Our parts cover such applications as commercial,industrial, and automotives areas.

We are looking forward to setting up business relationship with you and hope to provide you with the best service and solution. Let us make a better world for our industry!



## Contact us

Tel: +86-755-8981 8866 Fax: +86-755-8427 6832

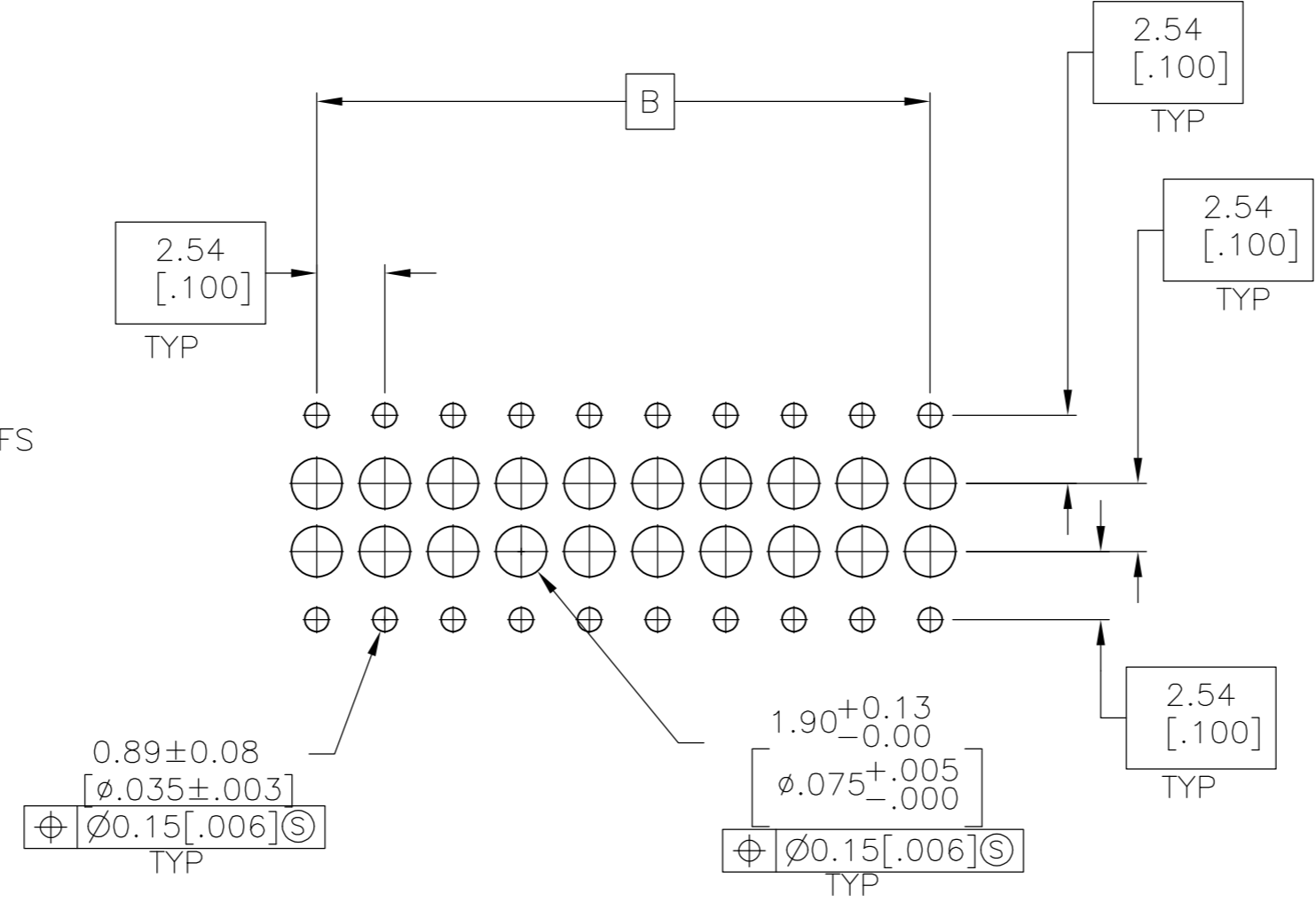
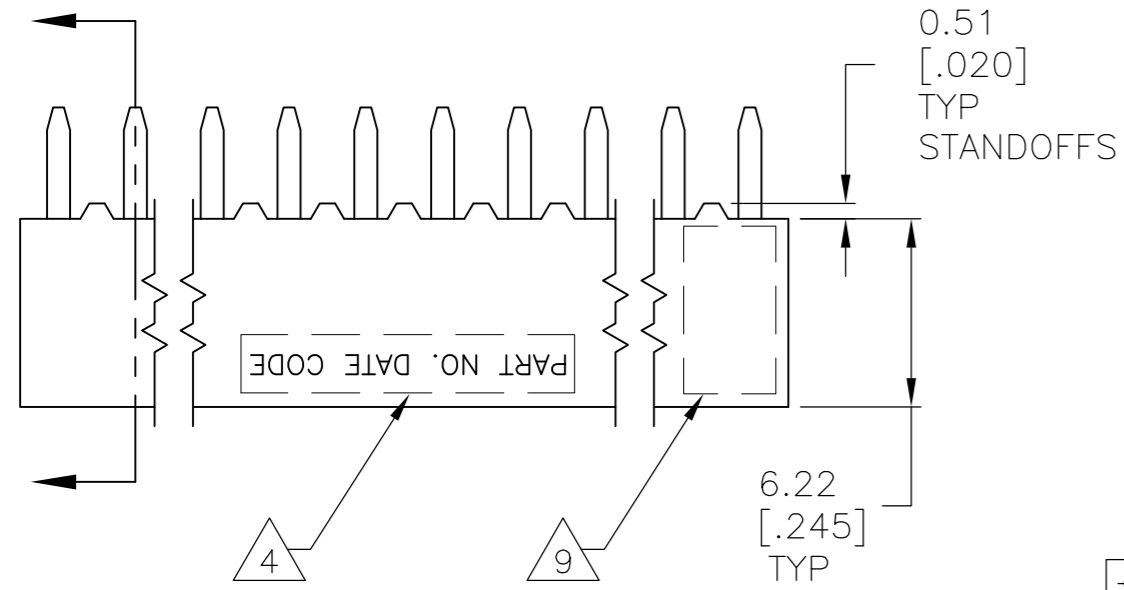
Email & Skype: info@chipsmall.com Web: www.chipsmall.com

Address: A1208, Overseas Decoration Building, #122 Zhenhua RD., Futian, Shenzhen, China



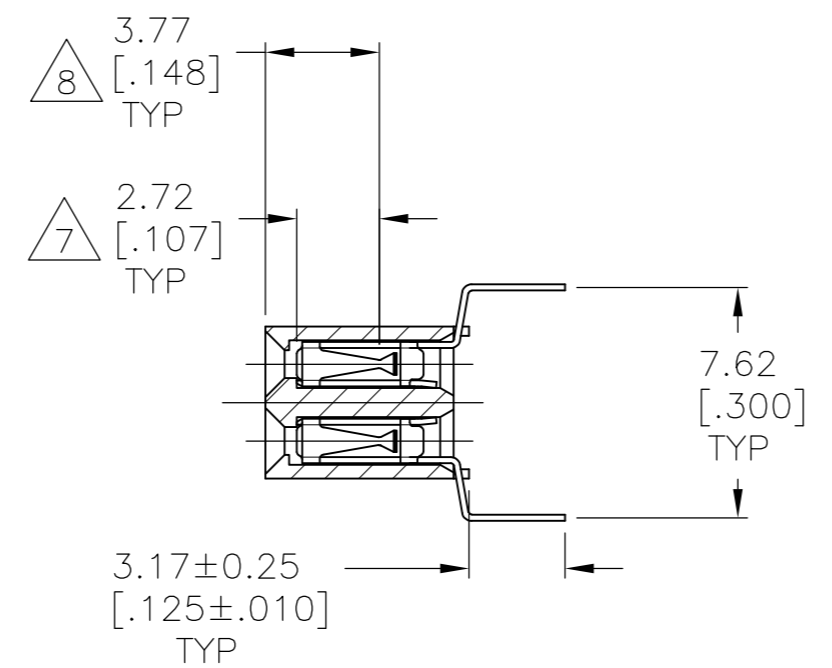
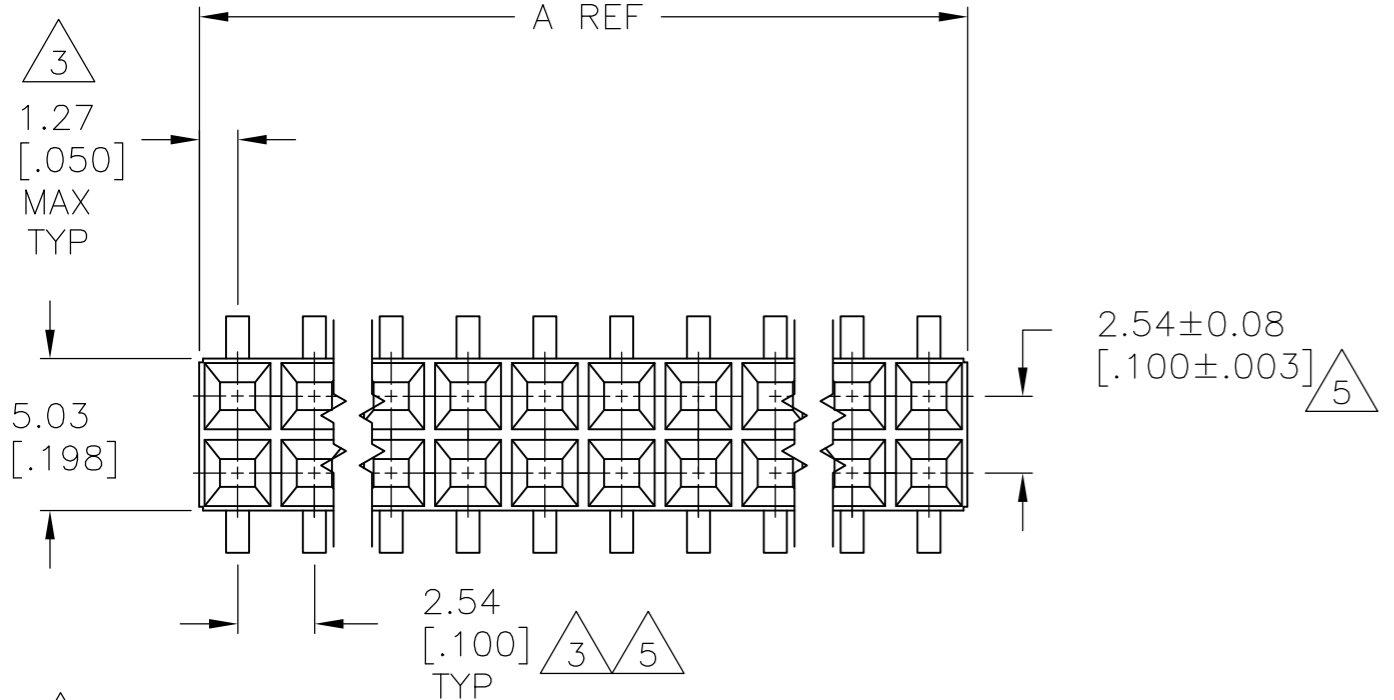
THIS DRAWING IS UNPUBLISHED. RELEASED FOR PUBLICATION  
 © COPYRIGHT - By - ALL RIGHTS RESERVED.

LOC	DIST	REVISIONS			
P	LTR	DESCRIPTION	DATE	DWN	APVD
AD	00	AB5	REVISED PER ECO-13-005565	02APR13	KH JO



RECOMMENDED PC BOARD HOLE PATTERN  
 PC BOARD THICKNESS 1.57 [.062]

12 ROHS 2002/95/EC COMPLIANT



- 1 HOUSING: FLAME RETARDANT, GLASS FILLED, POLYESTER, COLOR: BLACK. CONTACT: PHOSPHOR BRONZE
- 2 CONTACT: DUPLEX PLATED 0.76µm [.000030] GOLD IN CONTACT AREA, 3.81-7.62µm [.000150-.000300] BRIGHT TIN-LEAD ON LEADS, ALL OVER 1.27µm [.000050] MINIMUM NICKEL
- 3 THESE DIMENSIONS PERTAIN TO CAVITY CENTERLINES ONLY - NOT TO CONTACT LOCATIONS
- 4 PART NUMBER AND DATE CODE ARE MARKED IN APPROXIMATE LOCATION SHOWN, EITHER SIDE.
- 5 TOLERANCE IS NON-CUMULATIVE.
- 6 2 POSITION DATE CODE IS MARKED OPPOSITE SIDE OF TE CONNECTIVITY LOGO.
- 7 POINT-OF-MEASUREMENT DIMENSION FOR PLATING THICKNESS (INSIDE CONTACT BEAM).
- 8 POINT-OF-CONTACT DIMENSION.
- 9 TE CONNECTIVITY TRADEMARK AND CSA LOGO ARE MOLDED INTO HOUSING, THIS LOCATION.
- 10 NO PART NUMBER MARKING REQUIRED FOR THIS PART.
- 11 CONTACT: DUPLEX PLATED 0.76 MICROMETERS (.000030) MIN GOLD IN CONTACT AREA, 3.81-7.62 MICROMETERS (.000150-.000300) MATTE TIN ON LEADS, ALL OVER 1.27 MICROMETERS (.000050) MINIMUM NICKEL.

2	96.52 [3.800]	99.06 [3.900]	78	4-534267-0
2	91.44 [3.600]	93.98 [3.700]	74	3-534267-9
2	88.90 [3.500]	91.44 [3.600]	72	3-534267-8
2	86.36 [3.400]	88.90 [3.500]	70	3-534267-7
2	83.82 [3.300]	86.36 [3.400]	68	3-534267-6
2	81.28 [3.200]	83.82 [3.300]	66	3-534267-5
2	78.74 [3.100]	81.28 [3.200]	64	3-534267-4
2	76.20 [3.000]	78.74 [3.100]	62	3-534267-3
2	71.12 [2.800]	73.66 [2.900]	58	3-534267-2
2	68.58 [2.700]	71.12 [2.800]	56	3-534267-1
2	66.04 [2.600]	68.58 [2.700]	54	3-534267-0
2	63.50 [2.500]	66.04 [2.600]	52	2-534267-9
2	55.88 [2.200]	58.42 [2.300]	46	2-534267-8
2	53.34 [2.100]	55.88 [2.200]	44	2-534267-7
2	50.80 [2.000]	53.34 [2.100]	42	2-534267-6
2	45.72 [1.800]	48.26 [1.900]	38	2-534267-5
2	40.64 [1.600]	43.18 [1.700]	34	2-534267-4
2	38.10 [1.500]	40.64 [1.600]	32	2-534267-3
2	33.02 [1.300]	35.56 [1.400]	28	2-534267-2
2	25.40 [1.000]	27.94 [1.100]	22	2-534267-1
2	12.70 [.500]	15.24 [.600]	12	2-534267-0
2	17.78 [.700]	20.32 [.800]	16	1-534267-9
2	60.96 [2.400]	63.50 [2.500]	50	1-534267-8
2	2.54 [.100]	5.08 [.200]	4	1-534267-7
2	93.98 [3.700]	96.52 [3.800]	76	1-534267-6
2	43.18 [1.700]	45.72 [1.800]	36	1-534267-5
2	5.08 [.200]	7.62 [.300]	6	1-534267-4
2	2.54 [.100]	5.08 [.200]	2	1-534267-3
2	35.56 [1.400]	38.10 [1.500]	30	1-534267-2
2	58.42 [2.300]	60.96 [2.400]	48	1-534267-1
2	20.32 [.800]	22.86 [.900]	18	1-534267-0
2	27.94 [1.100]	30.48 [1.200]	24	534267-9
2	73.66 [2.900]	76.20 [3.000]	60	534267-8
2	48.26 [1.900]	50.80 [2.000]	40	534267-7
2	30.48 [1.200]	33.02 [1.300]	26	534267-6
2	7.62 [.300]	10.16 [.400]	8	534267-5
2	99.06 [3.900]	101.60 [4.000]	80	534267-4
2	10.16 [.400]	12.70 [.500]	10	534267-3
2	22.86 [.900]	25.40 [1.000]	20	534267-2
2	15.24 [.600]	17.78 [.700]	14	534267-1

10 OBSOLETE

FINISH	B	A	NO OF POSN	PART NUMBER
--------	---	---	------------	-------------

THIS DRAWING IS A CONTROLLED DOCUMENT.

DIMENSIONS: mm [INCHES]	TOLERANCES UNLESS OTHERWISE SPECIFIED:	DWN M.BINNER 06NOV2002	
	0 PLC ± -	CHK J.OLSON 06NOV02	
	1 PLC ± -	APVD J.OLSON 06NOV02	
	2 PLC ± 0.13 [.005]	NAME	
MATERIAL	FINISH	PRODUCT SPEC 108-25022	RECEPTACLE ASSEMBLY, MOD IV, DOUBLE ROW, DUAL ENTRY, .100X.100CL, VERTICAL MOUNT, AMPMODU
		APPLICATION SPEC 114-25018	SIZE CAGE CODE DRAWING NO RESTRICTED TO
		WEIGHT -	A2 00779 C=534267
		CUSTOMER DRAWING	SCALE 4:1 SHEET 1 OF 2 REV AB5

THIS DRAWING IS UNPUBLISHED. RELEASED FOR PUBLICATION - . - .  
 © COPYRIGHT - By - ALL RIGHTS RESERVED.

LOC	DIST	REVISIONS			
P	LTR	DESCRIPTION	DATE	DWN	APVD
-	-	SEE SHEET 1	-	-	-

11	96.52[3.800]	99.06[3.900]	78	12	9-534267-0
11	91.44[3.600]	93.98[3.700]	74	12	8-534267-9
11	88.90[3.500]	91.44[3.600]	72	12	8-534267-8
11	86.36[3.400]	88.90[3.500]	70	12	8-534267-7
11	83.82[3.300]	86.36[3.400]	68	12	8-534267-6
11	81.28[3.200]	83.82[3.300]	66	12	8-534267-5
11	78.74[3.100]	81.28[3.200]	64	12	8-534267-4
11	76.20[3.000]	78.74[3.100]	62	12	8-534267-3
11	71.12[2.800]	73.66[2.900]	58	12	8-534267-2
11	68.58[2.700]	71.12[2.800]	56	12	8-534267-1
11	66.04[2.600]	68.58[2.700]	54	12	8-534267-0
11	63.50[2.500]	66.04[2.600]	52	12	7-534267-9
11	55.88[2.200]	58.42[2.300]	46	12	7-534267-8
11	53.34[2.100]	55.88[2.200]	44	12	7-534267-7
11	50.80[2.000]	53.34[2.100]	42	12	7-534267-6
11	45.72[1.800]	48.26[1.900]	38	12	7-534267-5
11	40.64[1.600]	43.18[1.700]	34	12	7-534267-4
11	38.10[1.500]	40.64[1.600]	32	12	7-534267-3
11	33.02[1.300]	35.56[1.400]	28	12	7-534267-2
11	25.40[1.000]	27.94[1.100]	22	12	7-534267-1
11	12.70[.500]	15.24[.600]	12	12	7-534267-0
11	17.78[.700]	20.32[.800]	16	12	6-534267-9
11	60.96[2.400]	63.50[2.500]	50	12	6-534267-8
10	2.54[.100]	5.08[.200]	4	12	6-534267-7
11	93.98[3.700]	96.52[3.800]	76	12	6-534267-6
11	43.18[1.700]	45.72[1.800]	36	12	6-534267-5
10	5.08[.200]	7.62[.300]	6	12	6-534267-4
10	OBSOLETE	-	-	12	6-534267-3
11	35.56[1.400]	38.10[1.500]	30	12	6-534267-2
11	58.42[2.300]	60.96[2.400]	48	12	6-534267-1
11	20.32[.800]	22.86[.900]	18	12	6-534267-0
11	27.94[1.100]	30.48[1.200]	24	12	5-534267-9
11	73.66[2.900]	76.20[3.000]	60	12	5-534267-8
11	48.26[1.900]	50.80[2.000]	40	12	5-534267-7
11	30.48[1.200]	33.02[1.300]	26	12	5-534267-6
10	7.62[.300]	10.16[.400]	8	12	5-534267-5
11	99.06[3.900]	101.60[4.000]	80	12	5-534267-4
10	10.16[.400]	12.70[.500]	10	12	5-534267-3
11	22.86[.900]	25.40[1.000]	20	12	5-534267-2
11	15.24[.600]	17.78[.700]	14	12	5-534267-1

FINISH	B	A	NO OF POSN	PART NUMBER
--------	---	---	------------	-------------

THIS DRAWING IS A CONTROLLED DOCUMENT.		DWN M.BINNER 06NOV2002	<b>STE</b> TE Connectivity		
DIMENSIONS: mm [INCHES]		CHK J.OLSON 06NOV02			
TOLERANCES UNLESS OTHERWISE SPECIFIED:		APVD J.OLSON 06NOV02	NAME RECEPTACLE ASSEMBLY, MOD IV, DOUBLE ROW, DUAL ENTRY, .100X.100CL, VERTICAL MOUNT, AMPMODU		
0 PLC ± - 1 PLC ± - 2 PLC ± 0.13[.005] 3 PLC ± - 4 PLC ± - ANGLES ± -		PRODUCT SPEC 108-25022	SIZE A2	CAGE CODE 00779	DRAWING NO C=534267
MATERIAL 1	FINISH 11 2	APPLICATION SPEC 114-25018	RESTRICTED TO -	SCALE 1:1	
CUSTOMER DRAWING			SHEET 2 OF 2	REV AB5	