



Chipsmall Limited consists of a professional team with an average of over 10 year of expertise in the distribution of electronic components. Based in Hongkong, we have already established firm and mutual-benefit business relationships with customers from,Europe,America and south Asia,supplying obsolete and hard-to-find components to meet their specific needs.

With the principle of “Quality Parts,Customers Priority,Honest Operation,and Considerate Service”,our business mainly focus on the distribution of electronic components. Line cards we deal with include Microchip,ALPS,ROHM,Xilinx,Pulse,ON,Everlight and Freescale. Main products comprise IC,Modules,Potentiometer,IC Socket,Relay,Connector.Our parts cover such applications as commercial,industrial, and automotives areas.

We are looking forward to setting up business relationship with you and hope to provide you with the best service and solution. Let us make a better world for our industry!



## Contact us

Tel: +86-755-8981 8866 Fax: +86-755-8427 6832

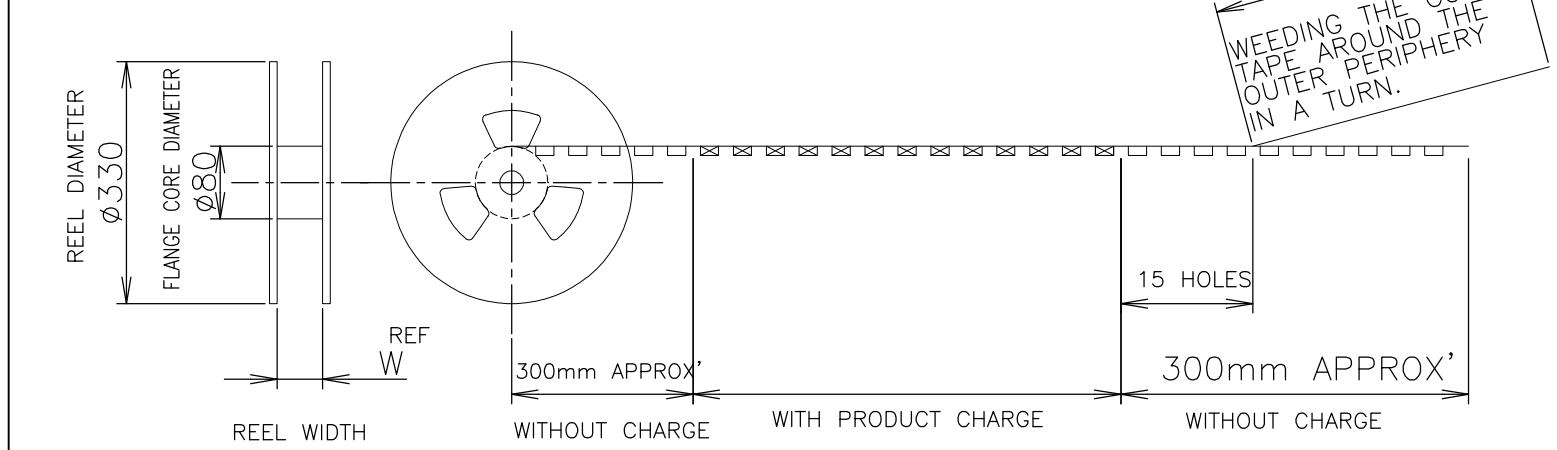
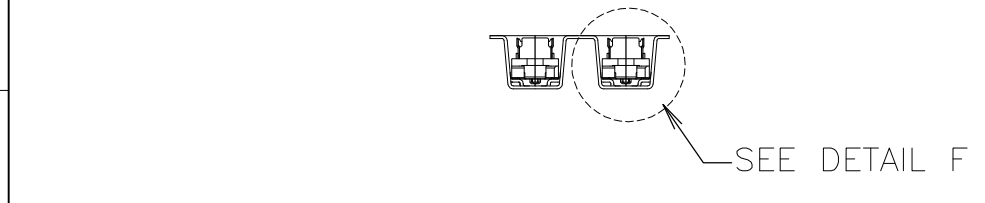
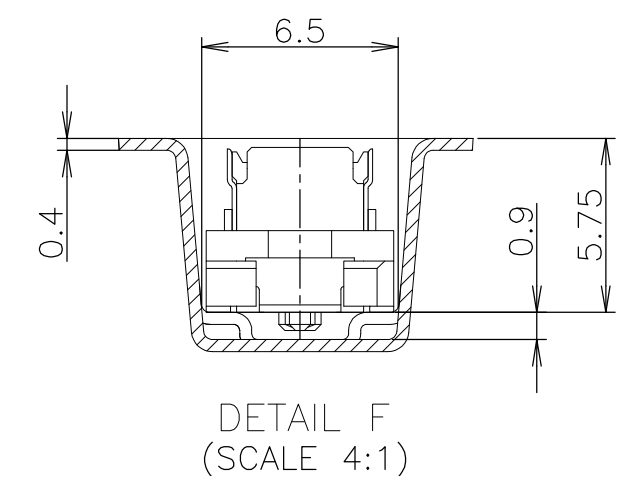
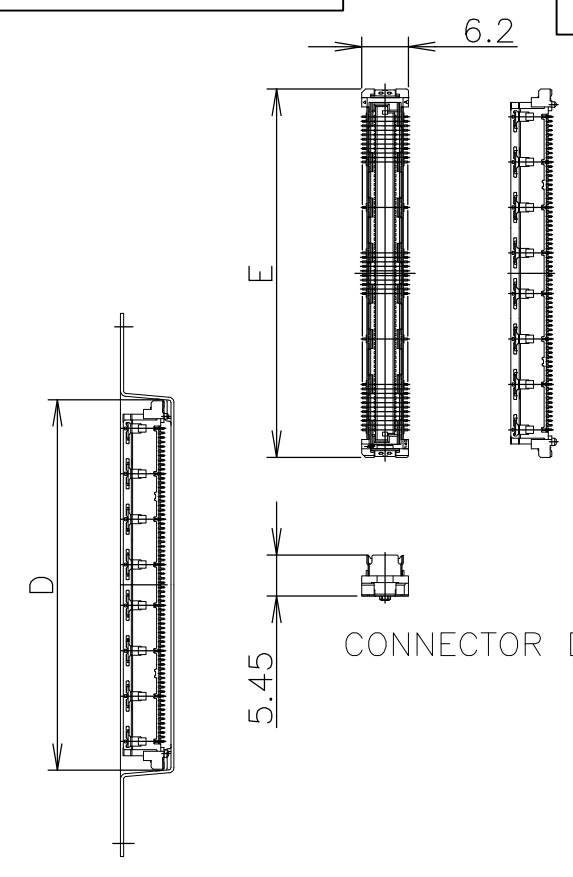
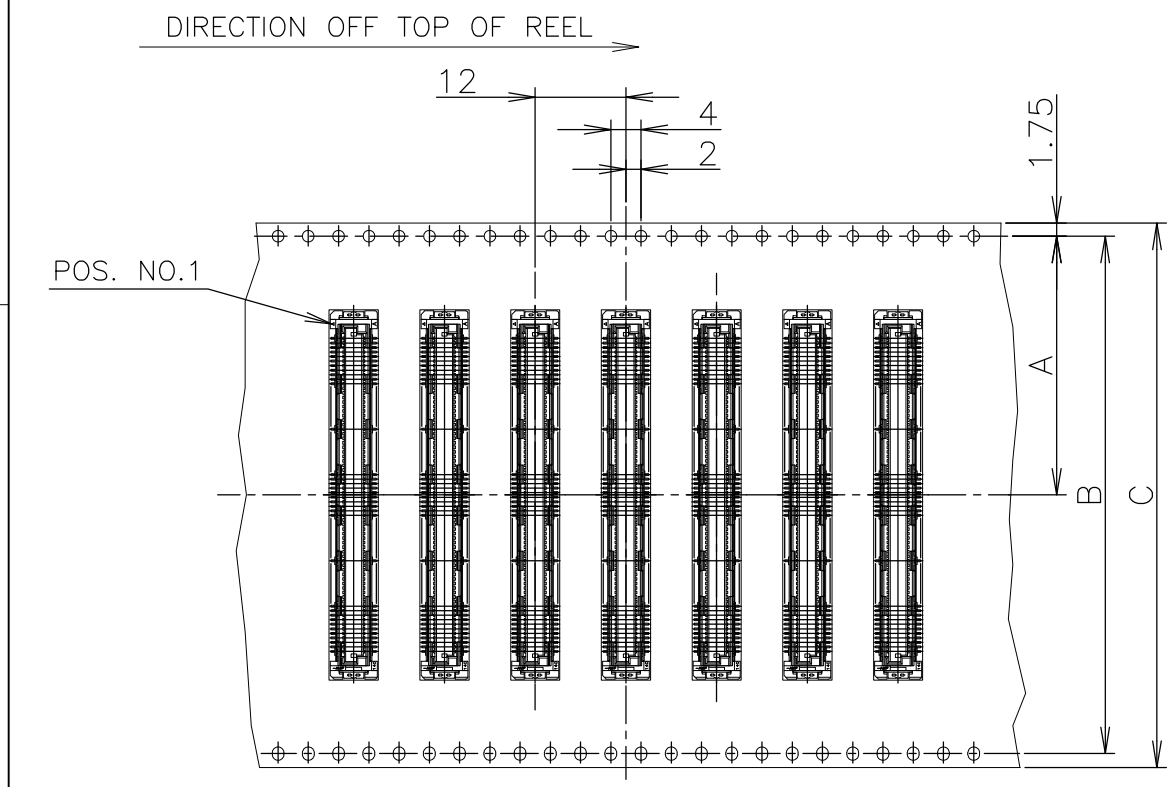
Email & Skype: info@chipsmall.com Web: www.chipsmall.com

Address: A1208, Overseas Decoration Building, #122 Zhenhua RD., Futian, Shenzhen, China



THIS DRAWING IS UNPUBLISHED. RELEASED FOR PUBLICATION JUN , 1996.  
 © COPYRIGHT 1996 By - ALL RIGHTS RESERVED.

LOC	DIST	REVISIONS					
J		P	LTR	DESCRIPTION	DATE	DWN	APVD
		B1	REVIS	ECR-15-012060	14SEP2015	I.T	W.H
		B2	REVIS	PER ECO-16-014594	10OCT2016	B.J	S.Y



SEALANT	TOOLING STATUS	QTY.	W	E	D	C	B	A	POS.	PART NO.
NOT AVAILABLE		800	49.5	24.7	25	44	40.4	20.2	60	7-5353186-4
NOT AVAILABLE			77.5	54.7	55	72	68.4	34.2	160	6-5353186-1
AVAILABLE			77.5	48.7	49	72	68.4	34.2	140	6- -0
NOT AVAILABLE			61.5	42.7	43	56	52.4	26.2	120	5- -9
NOT AVAILABLE			61.5	36.7	37	56	52.4	26.2	100	5- -8
NOT AVAILABLE			61.5	33.7	34	56	52.4	26.2	90	5- -7
AVAILABLE			49.5	30.7	31	44	40.4	20.2	80	5- -6
NOT AVAILABLE			49.5	27.7	28	44	40.4	20.2	70	5- -5
NOT AVAILABLE			49.5	24.7	25	44	40.4	20.2	60	5- -4
NOT AVAILABLE			37.5	21.7	22	32	28.4	14.2	50	5- -3
AVAILABLE			37.5	18.7	19	32	28.4	14.2	40	5- -2
NOT AVAILABLE		800	29.5	15.7	16	24	11.5		30	5-5353186-1
AVAILABLE		800	49.5	24.7	25	44	40.4	20.2	60	2-5353186-4
AVAILABLE			77.5	54.7	55	72	68.4	34.2	160	1-5353186-1
AVAILABLE			77.5	48.7	49	72	68.4	34.2	140	1- -0
NOT AVAILABLE			61.5	42.7	43	56	52.4	26.2	120	-9
AVAILABLE			61.5	36.7	37	56	52.4	26.2	100	-8
NOT AVAILABLE		800	61.5	33.7	34	56	52.4	26.2	90	-7
NOT AVAILABLE			49.5	27.7	28	44	40.4	20.2	70	-5
NOT AVAILABLE			49.5	24.7	25	44	40.4	20.2	60	-4
NOT AVAILABLE			37.5	21.7	22	32	28.4	14.2	50	-3
NOT AVAILABLE			37.5	18.7	19	32	28.4	14.2	40	-2
NOT AVAILABLE		800	29.5	15.7	16	24	11.5		30	5353186-1

- 4 THIS PRODUCT WAS COATED BY FLUX-PENETRATION -INHIDITING AGENT.
- 5 HOUSING COLOR : NATURAL
- 6 HOUSING COLOR : BLACK

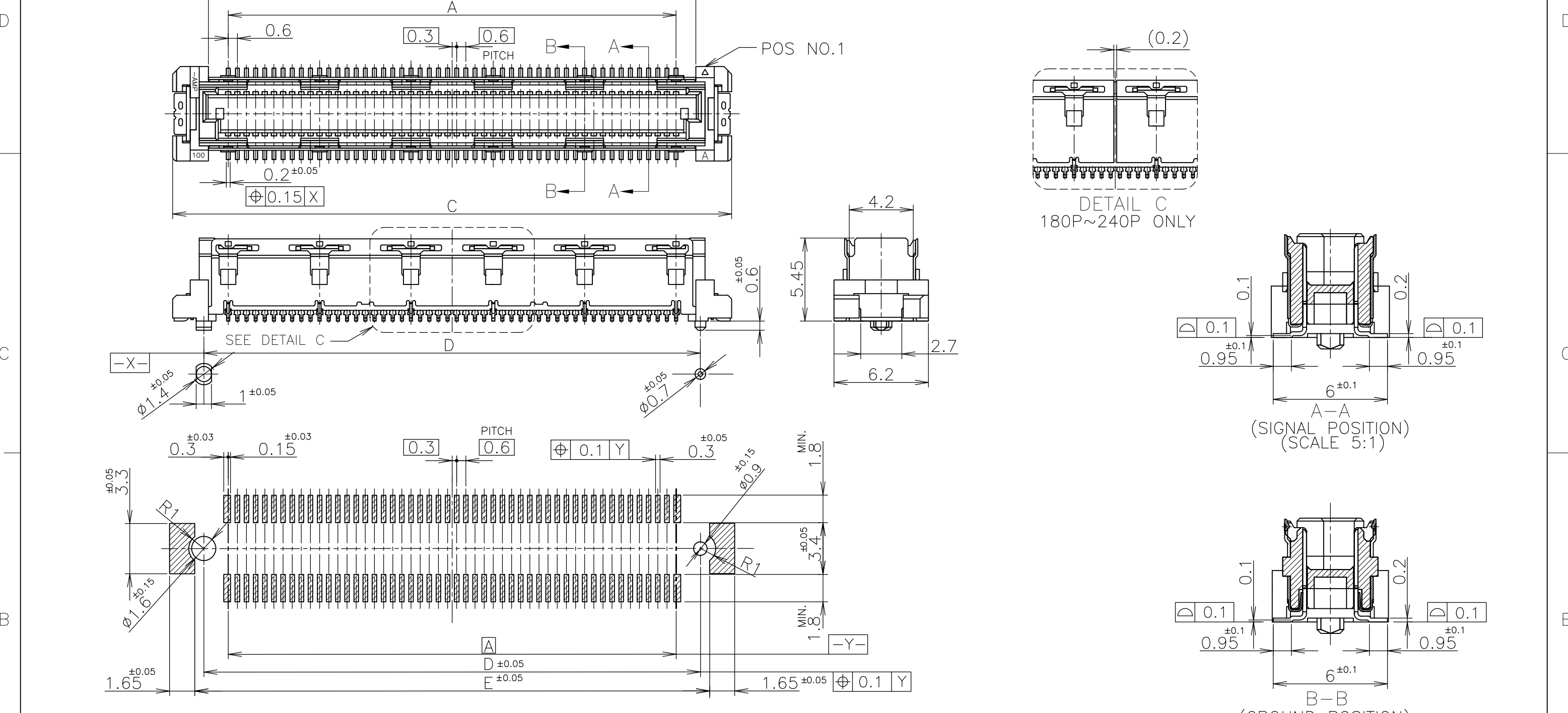
THIS DRAWING IS A CONTROLLED DOCUMENT.

DIMENSIONS: 单位: 耗 mm	TOLERANCES UNLESS OTHERWISE SPECIFIED: 一般公差	DWN HAWKING HE 20DEC04	 TE Connectivity
	0 PLC ± 0.2	CHK STEVEN YAO 20DEC04	
	1 PLC ± 0.2	APVD I.ENOMOTO 20DEC04	
	2 PLC ± 0.2	NAME I.ENOMOTO	
3 PLC ± 0.2	4 PLC ± 0.2	PRODUCT SPEC 製品規格 108-60047	EMBOSS ASSY
4 ANGLES ± 0.2	FINISH 仕上	APPLICATION SPEC 取付適用規格 114-5255	FH 0.6BTB CONNECTOR
MATERIAL 材料		WEIGHT	PLUG 6H WITH G-PLATE
			SIZE A3
			CAGE CODE 00779
			DRAWING NO G-5353186
			RESTRICTED TO
			SCALE 1:1
			SHEET 1 OF 3
			REV B2

CUSTOMER DRAWING

THIS DRAWING IS UNPUBLISHED. RELEASED FOR PUBLICATION JUN ,1996.  
 © COPYRIGHT 1996 By - ALL RIGHTS RESERVED.

LOC	DIST	REVISIONS					
J		P	LTR	DESCRIPTION	DATE	DWN	APVD
		-		SEE SHEET 1	-	-	-



REFERENCE P.C.BOARD LAYOUT

AVAILABLE	21.8	20.6	24.7	20	17.4	60
AVAILABLE	51.8	50.6	54.7	50	47.4	160
AVAILABLE	45.8	44.6	48.7	44	41.4	140
NOT AVAILABLE	39.8	38.6	42.7	38	35.4	120
AVAILABLE	33.8	32.6	36.7	32	29.4	100
NOT AVAILABLE	30.8	29.6	33.7	29	26.4	90
AVAILABLE	27.8	26.6	30.7	26	23.4	80
NOT AVAILABLE	24.8	23.6	27.7	23	20.4	70
AVAILABLE	21.8	20.6	24.7	20	17.4	60
NOT AVAILABLE	19.8	17.6	21.7	17	14.4	50
AVAILABLE	15.8	14.6	18.7	14	11.4	40
NOT AVAILABLE	12.8	11.6	15.7	11	8.4	30
TOOLING STATUS	E	D	C	B	A	POS

GENERAL TOLERANCE  
 一般公差  
 10 ≥ ±0.2  
 30 ≥ >10: ±0.25  
 100 ≥ >30: ±0.3  
 ANGLES: ±3°

THIS DRAWING IS A CONTROLLED DOCUMENT.

DIMENSIONS: 單位: 耗 mm

TOLERANCES UNLESS OTHERWISE SPECIFIED: 一般公差

0 PLC ± -  
 1 PLC ± -  
 2 PLC ± -  
 3 PLC ± -  
 4 PLC ± -  
 ANGLES ± -

MATERIAL 材料

FINISH 仕上

DWN  
 CHK  
 APVD  
 PRODUCT SPEC 製品規格  
 APPLICATION SPEC 取付適用規格  
 WEIGHT

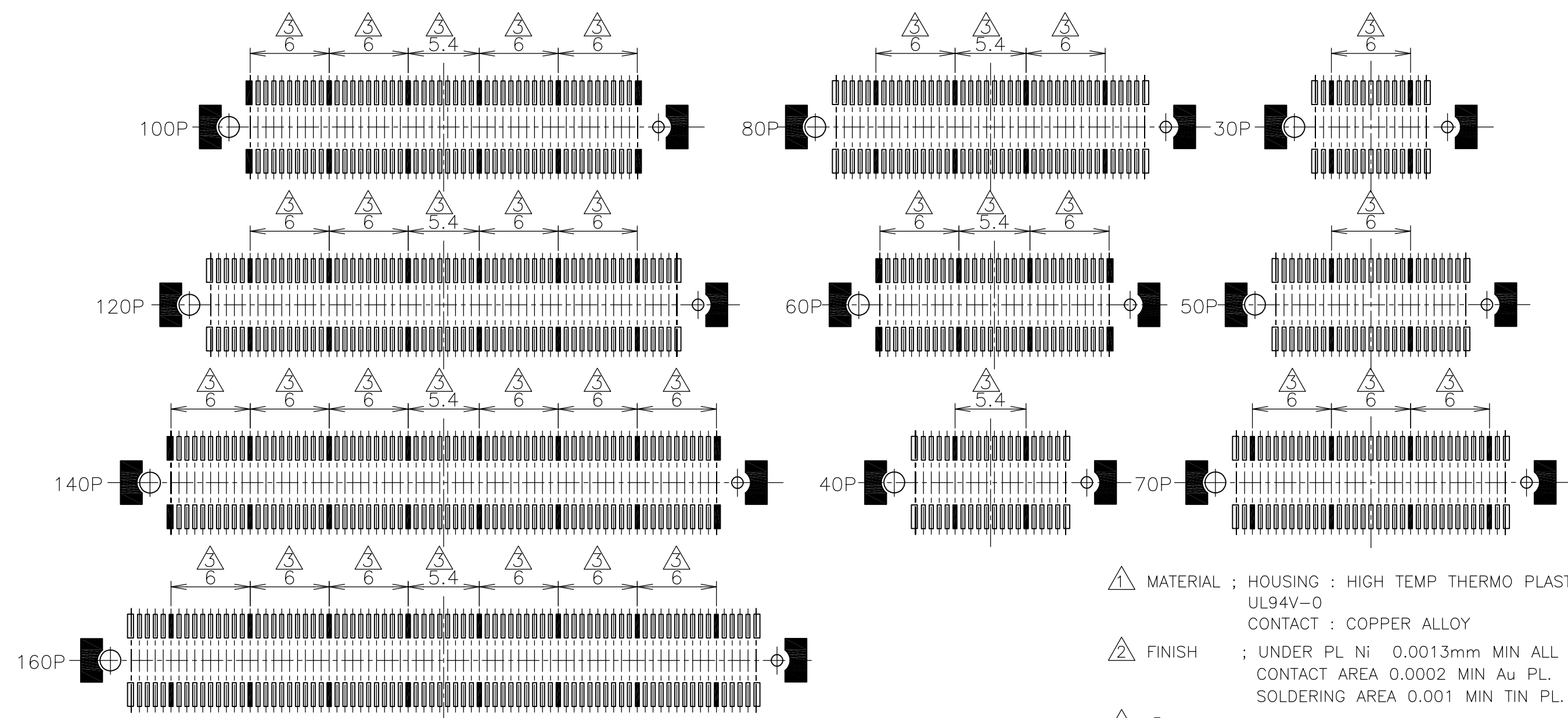
NAME 名称  
 EMBOSS ASSY  
 FH 0.6BTB CONNECTOR  
 PLUG 6H WITH G-PLATE

SIZE A3  
 CAGE CODE 00779  
 DRAWING NO 番号 G-5353186  
 RESTRICTED TO

CUSTOMER DRAWING  
 SCALE 尺度 4:1  
 SHEET 2 OF 3  
 REV B2

THIS DRAWING IS UNPUBLISHED.      RELEASED FOR PUBLICATION      JUN , 1996.  
 © COPYRIGHT 1996 By -      ALL RIGHTS RESERVED.

LOC	DIST	REVISIONS 變更					
J		P	LTR	DESCRIPTION	DATE	DWN	APVD
		-		SEE SHEET 1	-	-	-



- ① MATERIAL ; HOUSING : HIGH TEMP THERMO PLASTIC  
UL94V-0  
CONTACT : COPPER ALLOY
- ② FINISH ; UNDER PL Ni 0.0013mm MIN ALL OVER.  
CONTACT AREA 0.0002 MIN Au PL.  
SOLDERING AREA 0.001 MIN TIN PL.
- ③ THIS POSITION IS GROUND CIRCUIT.

GENERAL TOLERANCE  
一般公差

10 ≥ : ±0.2  
 30 ≥ >10 : ±0.25  
 100 ≥ >30 : ±0.3  
 ANGLES : ±3°

THIS DRAWING IS A CONTROLLED DOCUMENT.		DWN		TE Connectivity	
DIMENSIONS: 單位: 耗 mm		CHK			
TOLERANCES UNLESS OTHERWISE SPECIFIED: 一般公差		APVD		NAME 名稱	
0 PLC ± - 1 PLC ± - 2 PLC ± - 3 PLC ± - 4 PLC ± - ANGLES ± -		PRODUCT SPEC 製品規格		EMBOSS ASSY FH 0.6BTB CONNECTOR PLUG 6H WITH G-PLATE	
MATERIAL 材料		FINISH 仕上		SIZE	RESTRICTED TO
①		②		A3	
				CAGE CODE	DRAWING NO
				00779	G-5353186
				WEIGHT	SCALE
					3:1
				CUSTOMER DRAWING	SHEET
					3 OF 3
					REV
					B2