



Chipsmall Limited consists of a professional team with an average of over 10 year of expertise in the distribution of electronic components. Based in Hongkong, we have already established firm and mutual-benefit business relationships with customers from,Europe,America and south Asia,supplying obsolete and hard-to-find components to meet their specific needs.

With the principle of "Quality Parts,Customers Priority,Honest Operation,and Considerate Service",our business mainly focus on the distribution of electronic components. Line cards we deal with include Microchip,ALPS,ROHM,Xilinx,Pulse,ON,Everlight and Freescale. Main products comprise IC,Modules,Potentiometer,IC Socket,Relay,Connector.Our parts cover such applications as commercial,industrial, and automotives areas.

We are looking forward to setting up business relationship with you and hope to provide you with the best service and solution. Let us make a better world for our industry!



## Contact us

Tel: +86-755-8981 8866 Fax: +86-755-8427 6832

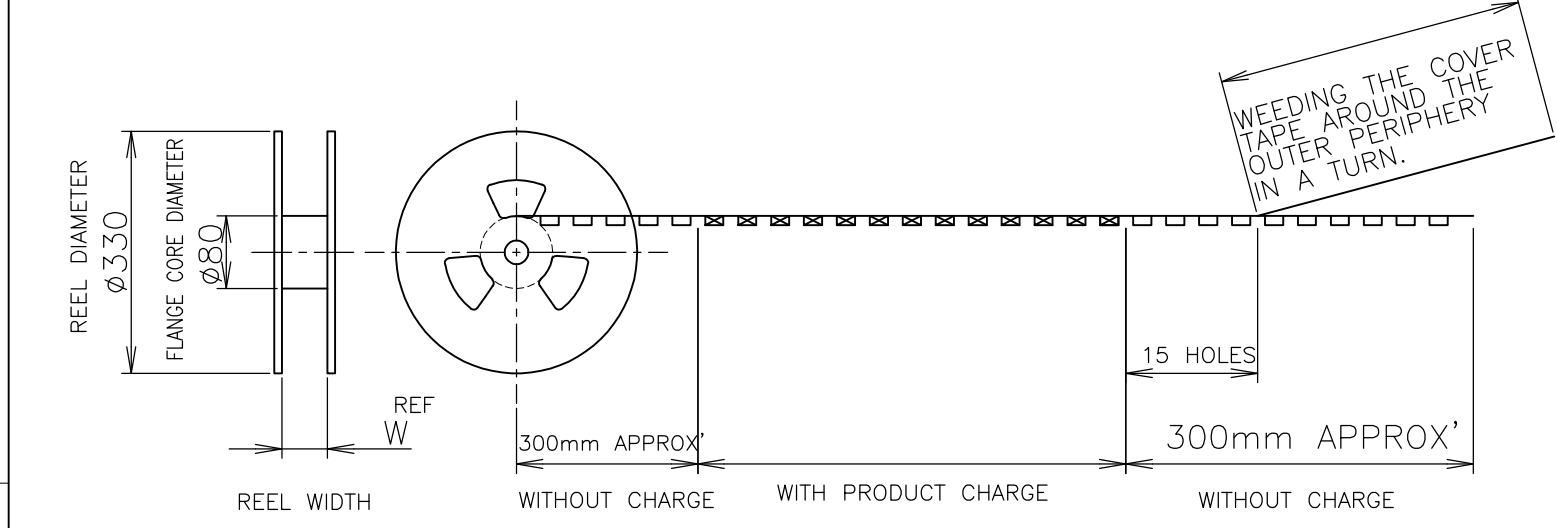
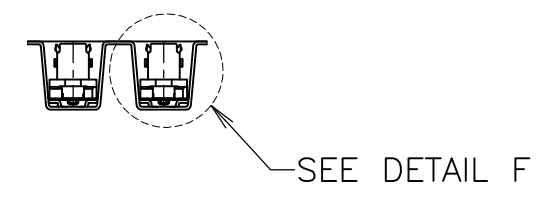
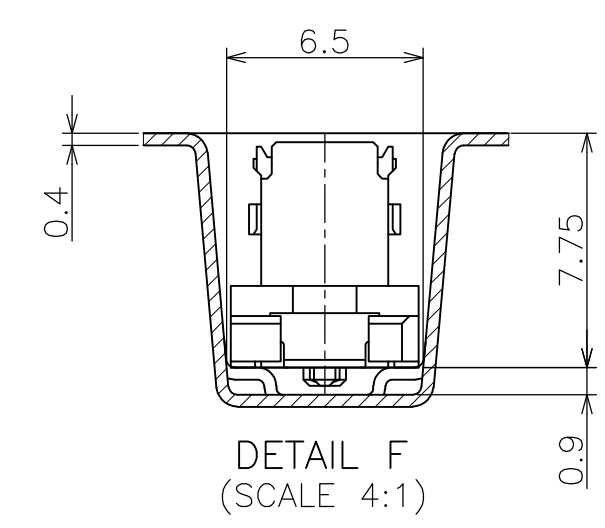
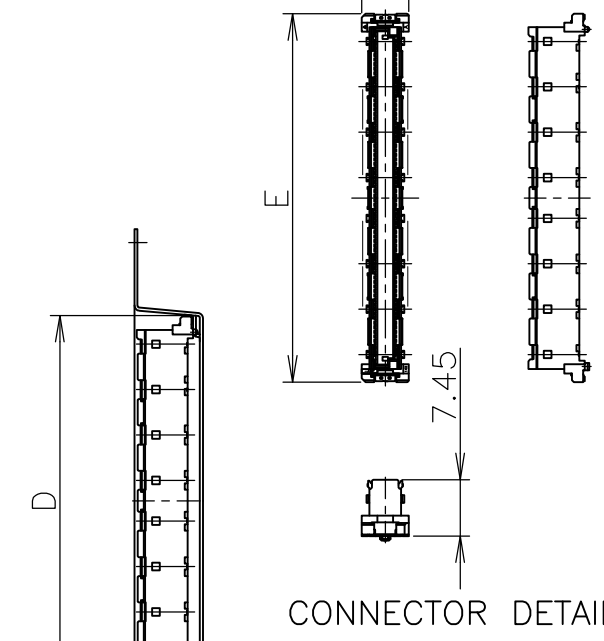
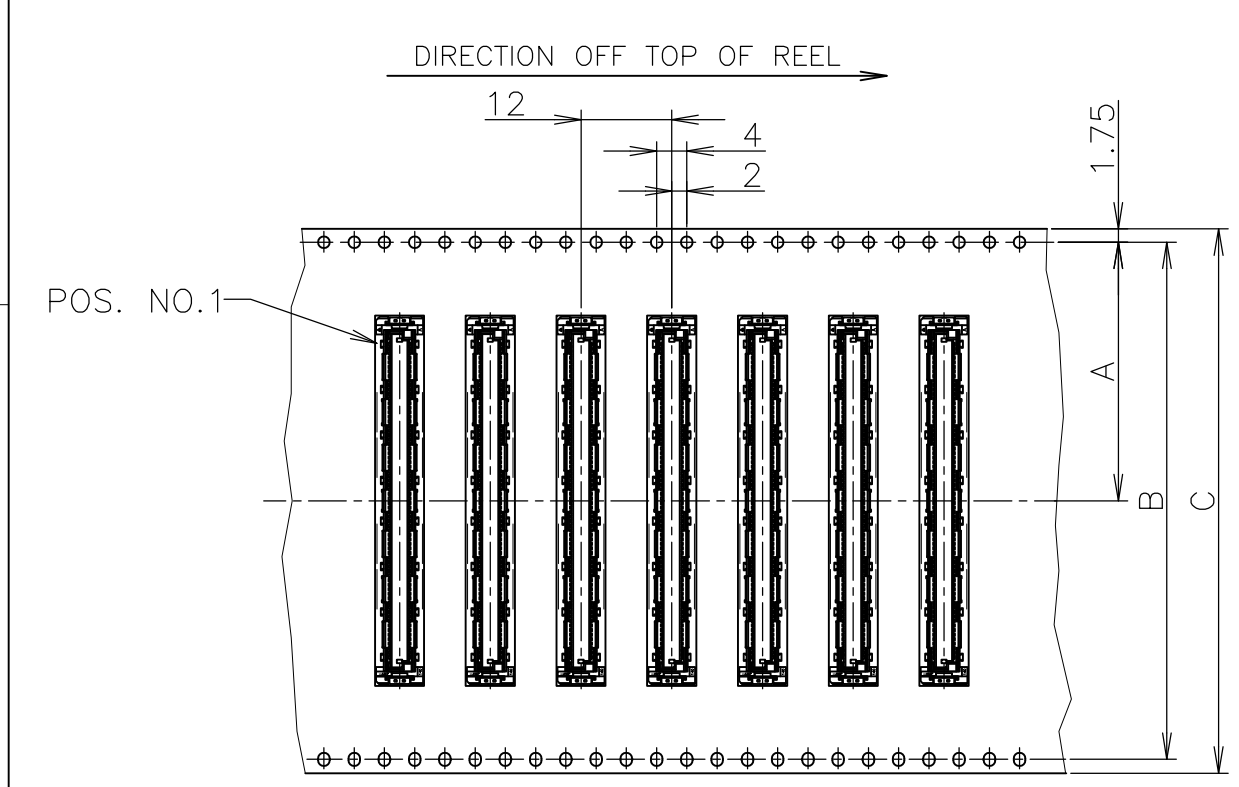
Email & Skype: info@chipsmall.com Web: www.chipsmall.com

Address: A1208, Overseas Decoration Building, #122 Zhenhua RD., Futian, Shenzhen, China



THIS DRAWING IS UNPUBLISHED. RELEASED FOR PUBLICATION JUN , 1996.  
 © COPYRIGHT 1996 By - ALL RIGHTS RESERVED.

LOC	DIST	REVISIONS					
J		P	LTR	DESCRIPTION	DATE	DWN	APVD
		A1	REVISED	ECR-15-005119	02APR2015	I.T	W.H



SEALANT	TOOLING STATUS	QTY.	W	E	D	C	B	A	POS.	PART NO.
			NOT AVAILABLE	600	77.5	54.7	55	72	68.4	34.2
	AVAILABLE	↑	77.5	48.7	49	72	68.4	34.2	140	6- -0
	NOT AVAILABLE		61.5	42.7	43	56	52.4	26.2	120	5- -9
	↑		61.5	36.7	37	56	52.4	26.2	100	5- -8
	↑		61.5	33.7	34	56	52.4	26.2	90	5- -7
	NOT AVAILABLE		49.5	30.7	31	44	40.4	20.2	80	5- -6
	NOT AVAILABLE		49.5	27.7	28	44	40.4	20.2	70	5- -5
	NOT AVAILABLE		49.5	24.7	25	44	40.4	20.2	60	5- -4
	↑		37.5	21.7	22	32	28.4	14.2	50	5- -3
	↑		37.5	18.7	19	32	28.4	14.2	40	5- -2
	NOT AVAILABLE	600	29.5	15.7	16	24	11.5	30	5-5353187-1	
NON SEALANT	AVAILABLE	600	77.5	54.7	55	72	68.4	34.2	160	1-5353187-1
	AVAILABLE	↑	77.5	48.7	49	72	68.4	34.2	140	1- -0
	NOT AVAILABLE		61.5	42.7	43	56	52.4	26.2	120	-9
	↑		61.5	36.7	37	56	52.4	26.2	100	-8
	↑		61.5	33.7	34	56	52.4	26.2	90	-7
	↑		49.5	30.7	31	44	40.4	20.2	80	-6
	↑		49.5	27.7	28	44	40.4	20.2	70	-5
	↑		49.5	24.7	25	44	40.4	20.2	60	-4
	↑		37.5	21.7	22	32	28.4	14.2	50	-3
	↑		37.5	18.7	19	32	28.4	14.2	40	-2
	NOT AVAILABLE	600	29.5	15.7	16	24	11.5	30	5353187-1	

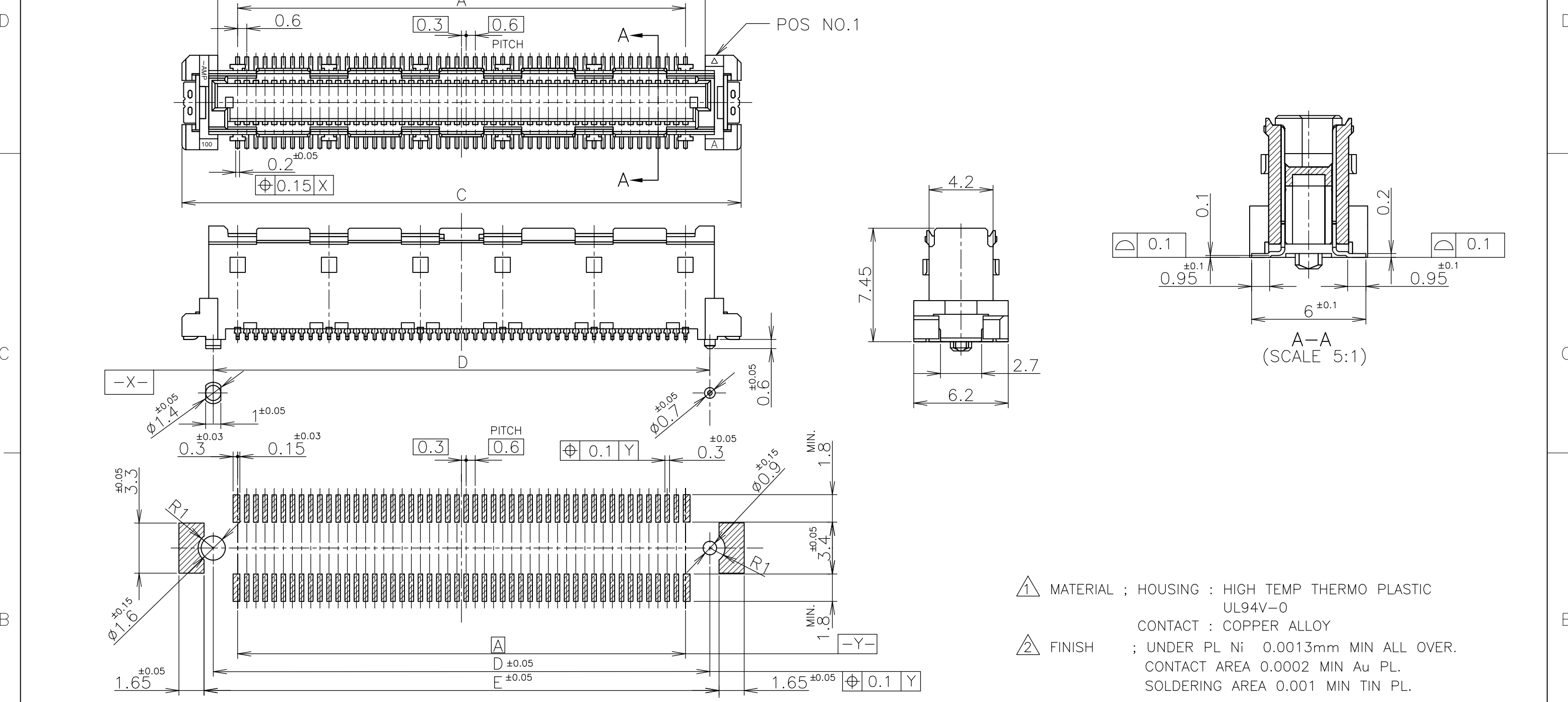
3 THIS PRODUCT WAS COATED BY FLUX-PENETRATION -INHIDITING AGENT.

THIS DRAWING IS A CONTROLLED DOCUMENT.

DIMENSIONS: 单位: 耗 mm	TOLERANCES UNLESS OTHERWISE SPECIFIED: 一般公差	DWN HAWKING HE 20DEC04	TE Connectivity EMBOSS ASSY FH 0.6BTB CONNECTOR PLUG 8H STD TYPE
	0 PLC ± 0.2 1 PLC ± 0.2 2 PLC ± 0.2 3 PLC ± 0.2 4 PLC ± 0.2 ANGLES ± 5°	CHK STEVEN YAO 20DEC04	
		APVD I.ENOMOTO 20DEC04	
		PRODUCT SPEC 製品規格 108-60047	
MATERIAL 材料	FINISH 仕上	APPLICATION SPEC 取付適用規格 114-5255	RESTRICTED TO
CUSTOMER DRAWING		WEIGHT	SIZE A3 CAGE CODE 00779 DRAWING NO. G-5353187
		SCALE 1:1 SHEET 1 OF 2 REV A1	

THIS DRAWING IS UNPUBLISHED. RELEASED FOR PUBLICATION JUN , 1996.  
 © COPYRIGHT 1996 By - ALL RIGHTS RESERVED.

LOC	DIST	REVISIONS		
		P	LTR	DESCRIPTION
J		-	-	SEE SHEET 1
				DATE
				DWN
				APVD



1 MATERIAL ; HOUSING : HIGH TEMP THERMO PLASTIC  
 UL94V-0  
 CONTACT : COPPER ALLOY  
 2 FINISH ; UNDER PL Ni 0.0013mm MIN ALL OVER.  
 CONTACT AREA 0.0002 MIN Au PL.  
 SOLDERING AREA 0.001 MIN TIN PL.

REFERENCE P.C.BOARD LAYOUT  
 (VIEW FROM CONN. MOUNTING SIDE)

AVAILABLE	51.8	50.6	54.7	50	47.4	160
AVAILABLE	45.8	44.6	48.7	44	41.4	140
NOT AVAILABLE	39.8	38.6	42.7	38	35.4	120
AVAILABLE	33.8	32.6	36.7	32	29.4	100
NOT AVAILABLE	30.8	29.6	33.7	29	26.4	90
NOT AVAILABLE	27.8	26.6	30.7	26	23.4	80
AVAILABLE	24.8	23.6	27.7	23	20.4	70
NOT AVAILABLE	21.8	20.6	24.7	20	17.4	60
↑	19.8	17.6	21.7	17	14.4	50
↑	15.8	14.6	18.7	14	11.4	40
NOT AVAILABLE	12.8	11.6	15.7	11	8.4	30
TOOLING STATUS	E	D	C	B	A	POS

GENERAL TOLERANCE  
 一般公差  
 10  $\geq$  :  $\pm 0.2$   
 30  $\geq$  :  $>10 : \pm 0.25$   
 100  $\geq$  :  $>30 : \pm 0.3$   
 ANGLES:  $\pm 3^\circ$

THIS DRAWING IS A CONTROLLED DOCUMENT.

DIMENSIONS: 単位: 耗 mm	TOLERANCES UNLESS OTHERWISE SPECIFIED: 一般公差	DWN	TE Connectivity	
	0 PLC $\pm$	CHK	NAME	
	1 PLC $\pm$	APVD	名称	
	2 PLC $\pm$	PRODUCT SPEC	EMBOSS ASSY	
	3 PLC $\pm$	製品規格	FH 0.6BTB CONNECTOR	
	4 PLC $\pm$	APPLICATION SPEC	PLUG 8H STD TYPE	
	ANGLES $\pm$	取付適用規格	SIZE	CAGE CODE
MATERIAL	FINISH	WEIGHT	DRAWING NO	RESTRICTED TO
材料	仕上		A300779	G-5353187
CUSTOMER DRAWING			SCALE	SHEET
			尺度 4:1	2 OF 2
			REV	A1