



Chipsmall Limited consists of a professional team with an average of over 10 year of expertise in the distribution of electronic components. Based in Hongkong, we have already established firm and mutual-benefit business relationships with customers from,Europe,America and south Asia,supplying obsolete and hard-to-find components to meet their specific needs.

With the principle of “Quality Parts,Customers Priority,Honest Operation,and Considerate Service”,our business mainly focus on the distribution of electronic components. Line cards we deal with include Microchip,ALPS,ROHM,Xilinx,Pulse,ON,Everlight and Freescale. Main products comprise IC,Modules,Potentiometer,IC Socket,Relay,Connector.Our parts cover such applications as commercial,industrial, and automotives areas.

We are looking forward to setting up business relationship with you and hope to provide you with the best service and solution. Let us make a better world for our industry!



## Contact us

Tel: +86-755-8981 8866 Fax: +86-755-8427 6832

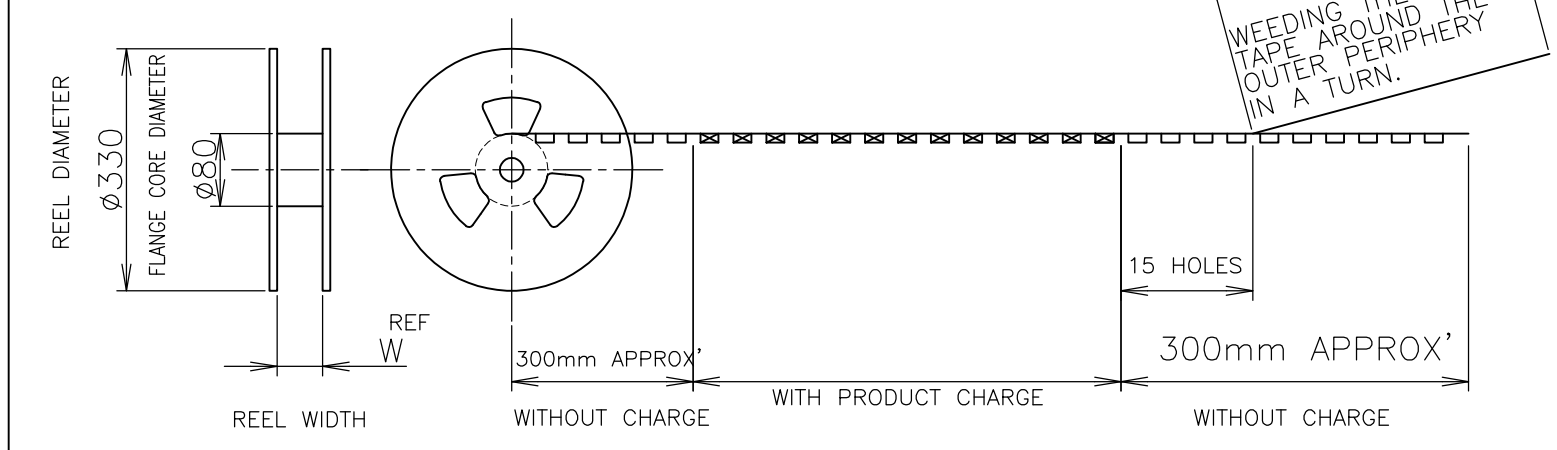
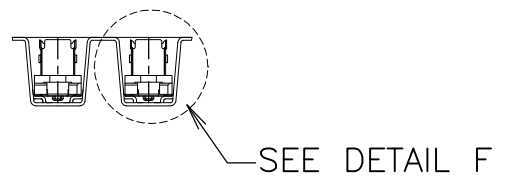
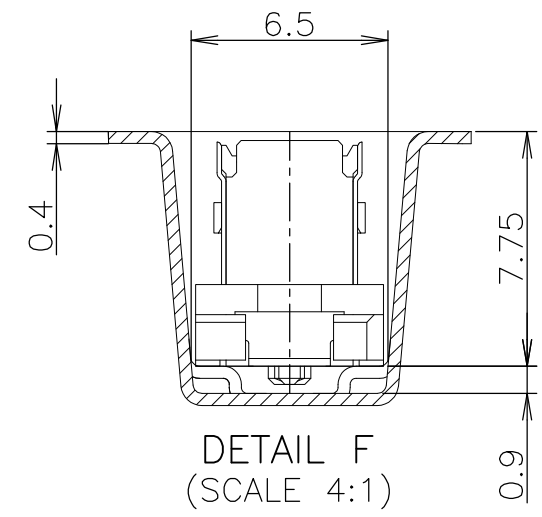
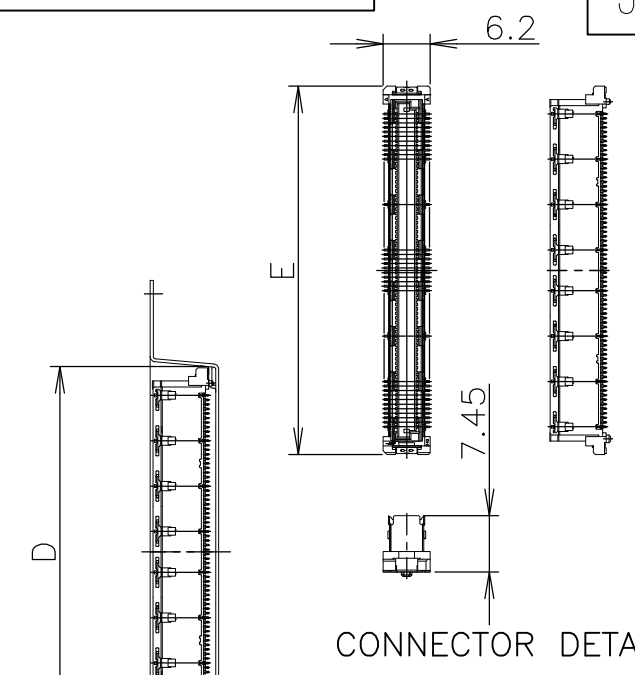
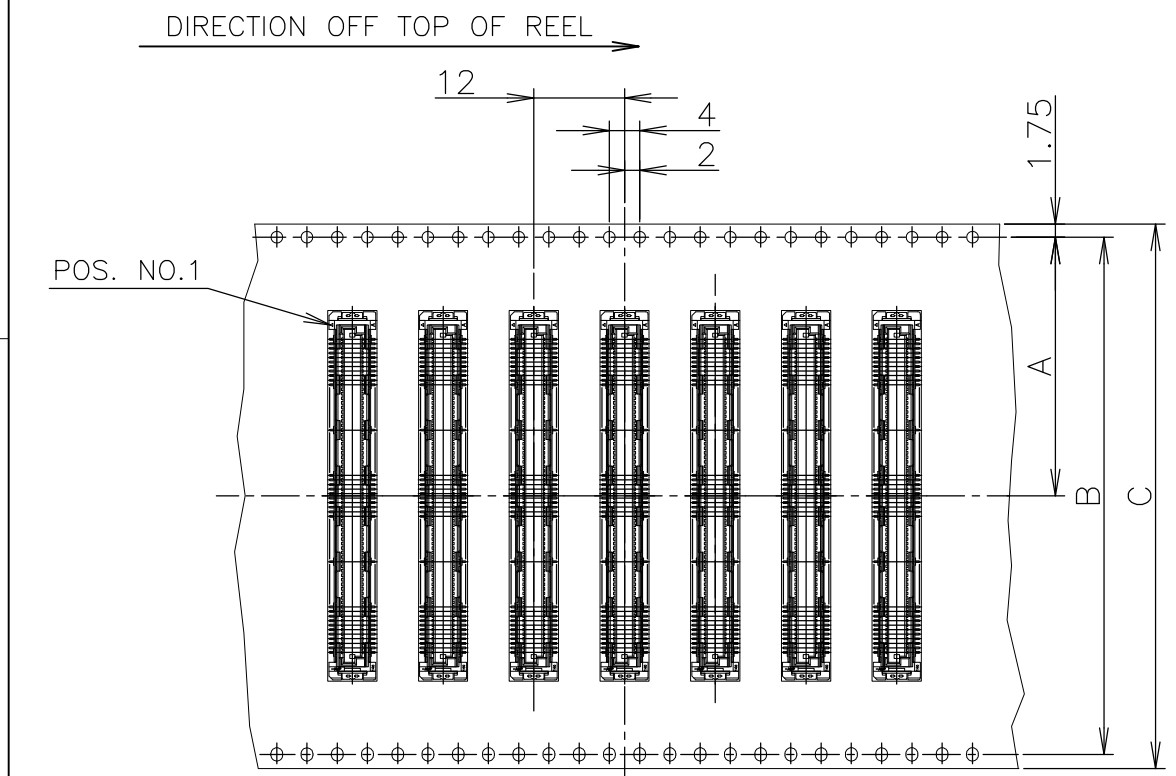
Email & Skype: info@chipsmall.com Web: www.chipsmall.com

Address: A1208, Overseas Decoration Building, #122 Zhenhua RD., Futian, Shenzhen, China



THIS DRAWING IS UNPUBLISHED. RELEASED FOR PUBLICATION JUN , 1996.  
 © COPYRIGHT 1996 BY TYCO ELECTRONICS CORPORATION. ALL RIGHTS RESERVED.

LOC	DIST	REVISIONS					
J		P	LTR	DESCRIPTION	DATE	DWN	APVD
		A	REVISED	ECR-08-000339	01FEB08	T.T	T.F



SEALANT	AVAILABLE	600	77.5	54.7	55	72	68.4	34.2	160	6-5353188-1
	AVAILABLE	↑	77.5	48.7	49	72	68.4	34.2	140	6-↑-0
	NOT AVAILABLE		61.5	42.7	43	56	52.4	26.2	120	5-↑-9
	↑		61.5	36.7	37	56	52.4	26.2	100	5-↑-8
			61.5	33.7	34	56	52.4	26.2	90	5-↑-7
			49.5	30.7	31	44	40.4	20.2	80	5-↑-6
			49.5	27.7	28	44	40.4	20.2	70	5-↑-5
			49.5	24.7	25	44	40.4	20.2	60	5-↑-4
			37.5	21.7	22	32	28.4	14.2	50	5-↑-3
			37.5	18.7	19	32	28.4	14.2	40	5-↑-2
NON SEALANT	NOT AVAILABLE	600	29.5	15.7	16	24	—	11.5	30	5-5353188-1
	AVAILABLE	600	77.5	54.7	55	72	68.4	34.2	160	1-5353188-1
	AVAILABLE	↑	77.5	48.7	49	72	68.4	34.2	140	1-↑-0
	NOT AVAILABLE		61.5	42.7	43	56	52.4	26.2	120	↑-9
	↑		61.5	36.7	37	56	52.4	26.2	100	↑-8
			61.5	33.7	34	56	52.4	26.2	90	↑-7
			49.5	30.7	31	44	40.4	20.2	80	↑-6
			49.5	27.7	28	44	40.4	20.2	70	↑-5
			49.5	24.7	25	44	40.4	20.2	60	↑-4
			37.5	21.7	22	32	28.4	14.2	50	↑-3
		37.5	18.7	19	32	28.4	14.2	40	↑-2	
TOOLING STATUS	QTY.	W	E	D	C	B	A	POS.	PART NO.	

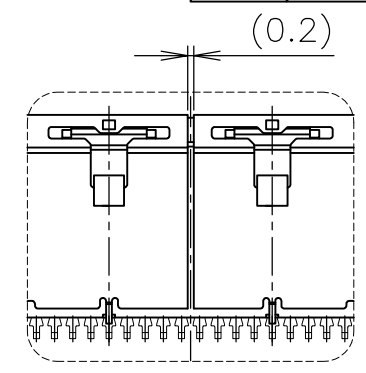
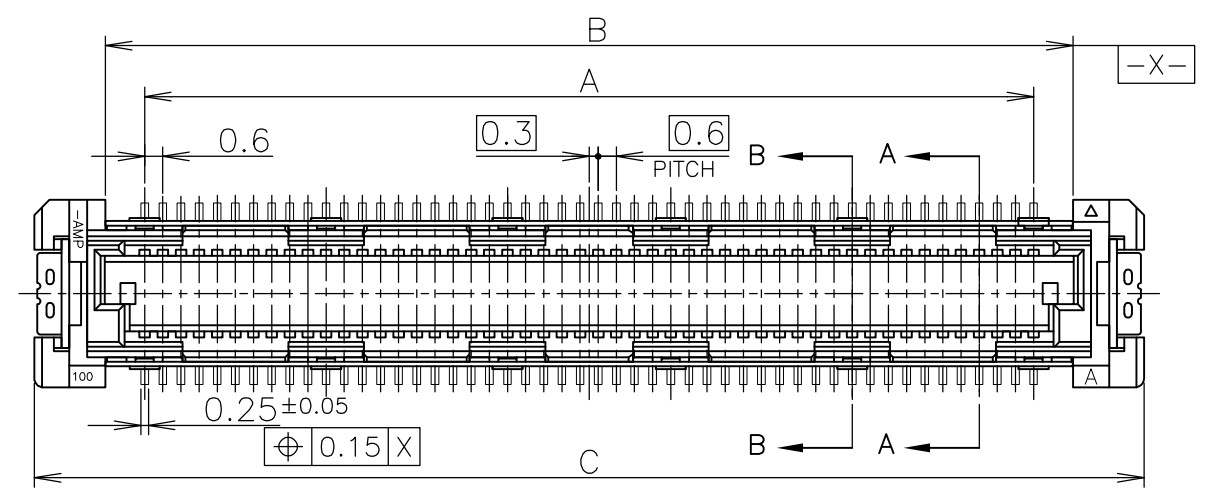
4 THIS PRODUCT WAS COATED BY FLUX-PENETRATION -INHIBITING AGENT.

THIS DRAWING IS A CONTROLLED DOCUMENT.

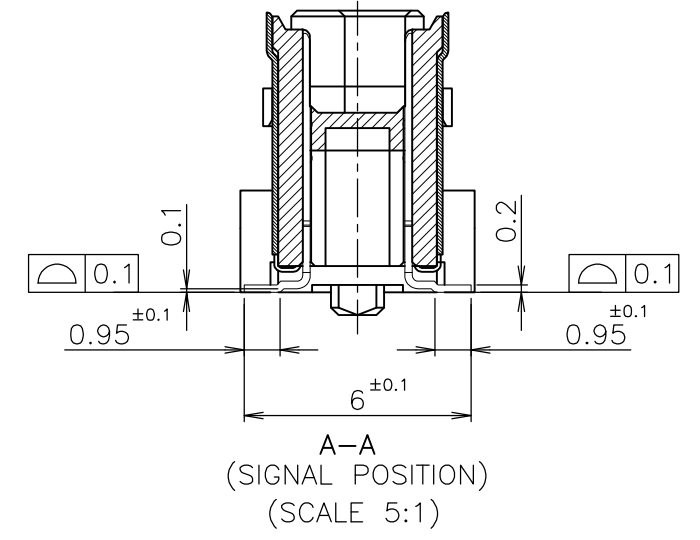
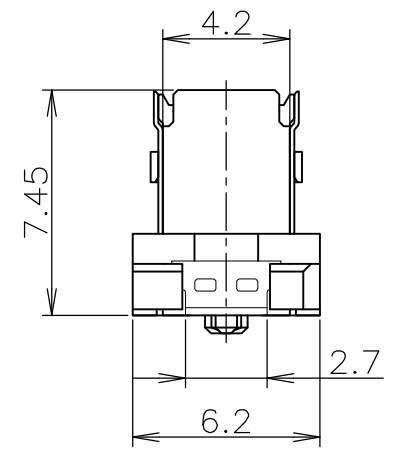
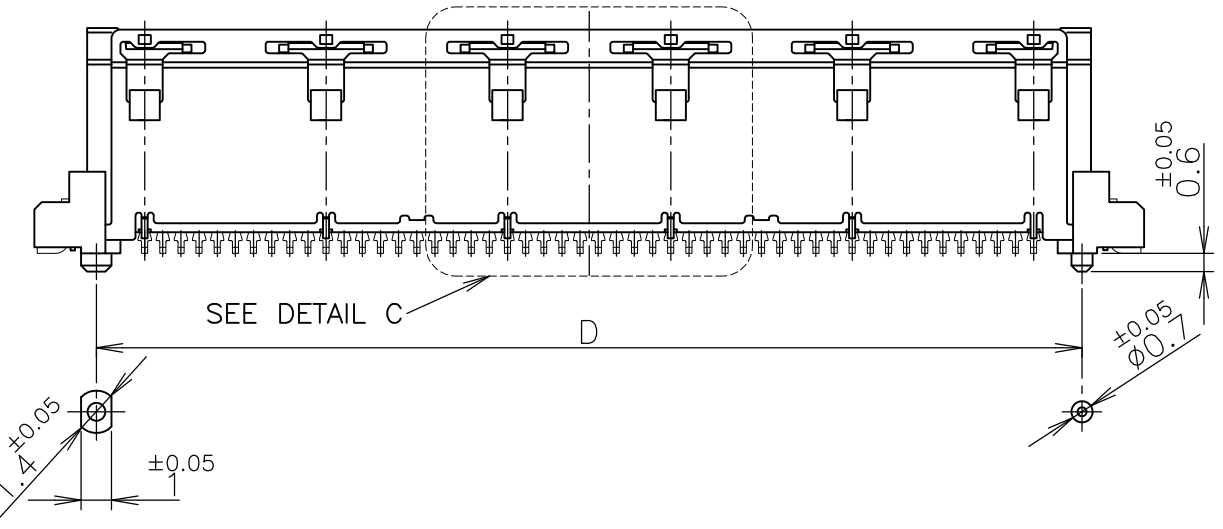
DIMENSIONS: 单位: 耗 mm	TOLERANCES UNLESS OTHERWISE SPECIFIED: 一般公差	DWN HAWKING HE 20DEC04	Tyco Electronics Corporation Kawasaki, Japan
0 PLC ± 0.2	1 PLC ± 0.2	CHK STEVEN YAO 20DEC04	
2 PLC ± 0.2	3 PLC ± 0.2	APVD I.ENOMOTO 20DEC04	NAME 名称
4 PLC ± 0.2	ANGLES ± 5'	PRODUCT SPEC 製品規格	EMBOSS ASSY
MATERIAL 材料	FINISH 仕上	APPLICATION SPEC 取付適用規格	FH 0.6BTB CONNECTOR
		WEIGHT	PLUG 8H WITH G-PLATE
			SIZE A3 CAGE CODE 00779 DRAWING NO G-5353188 RESTRICTED TO 番号
			CUSTOMER DRAWING SCALE 尺度 1:1 SHEET 1 OF 3 REV A

THIS DRAWING IS UNPUBLISHED. RELEASED FOR PUBLICATION JUN ,1996.  
 © COPYRIGHT 1996 BY TYCO ELECTRONICS CORPORATION. ALL RIGHTS RESERVED.

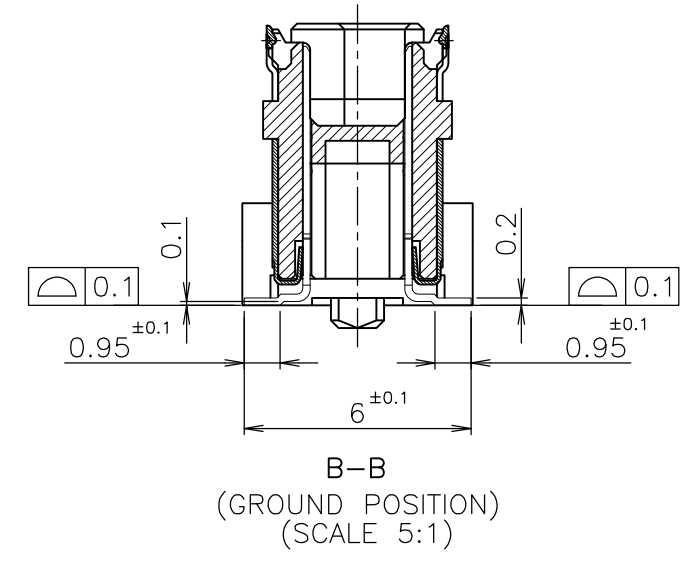
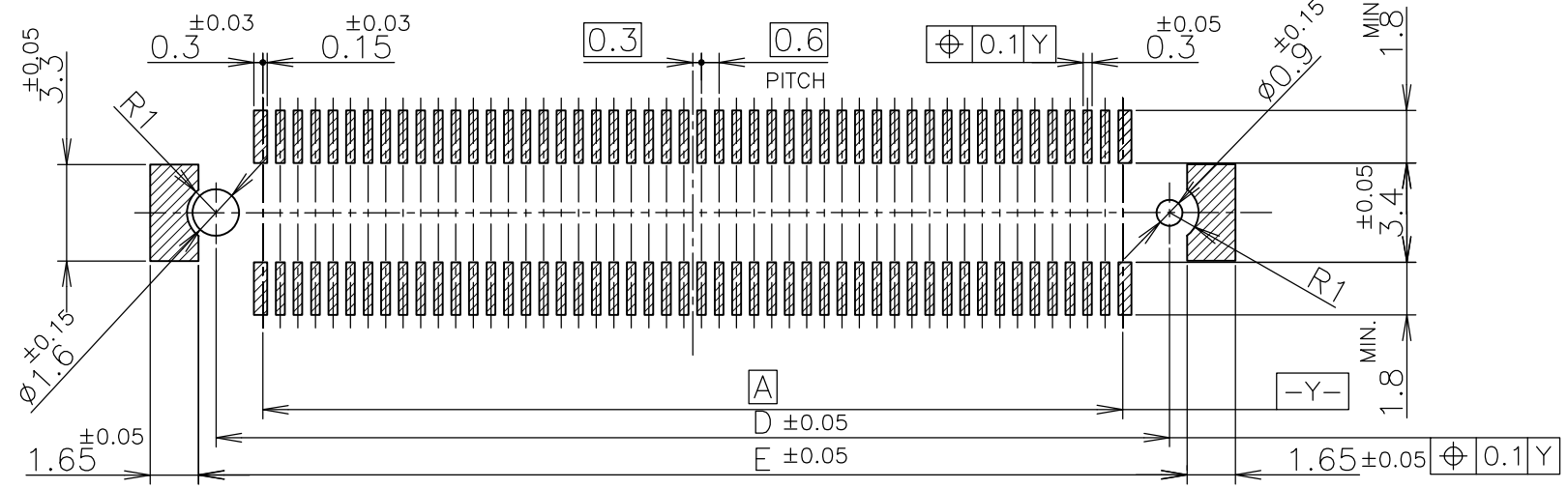
LOC	DIST	REVISIONS		
J		変更	DATE	DWN
P	LTR	DESCRIPTION		APVD
		SEE SHEET 1	-	-



DETAIL C  
180P~240P ONLY



A-A  
(SIGNAL POSITION)  
(SCALE 5:1)



B-B  
(GROUND POSITION)  
(SCALE 5:1)

AVAILABLE	51.8	50.6	54.7	50	47.4	160
AVAILABLE	45.8	44.6	48.7	44	41.4	140
NOT AVAILABLE	39.8	38.6	42.7	38	35.4	120
	33.8	32.6	36.7	32	29.4	100
	30.8	29.6	33.7	29	26.4	90
	27.8	26.6	30.7	26	23.4	80
	24.8	23.6	27.7	23	20.4	70
	21.8	20.6	24.7	20	17.4	60
	19.8	17.6	21.7	17	14.4	50
	15.8	14.6	18.7	14	11.4	40
NOT AVAILABLE	12.8	11.6	15.7	11	8.4	30
TOOLING STATUS	E	D	C	B	A	POS

REFERENCE P.C.BOARD LAYOUT

GENERAL TOLERANCE  
一般公差  
 10 ≥ ±0.2  
 30 ≥ >10: ±0.25  
 100 ≥ >30: ±0.3  
 ANGLES: ±3°

THIS DRAWING IS A CONTROLLED DOCUMENT.

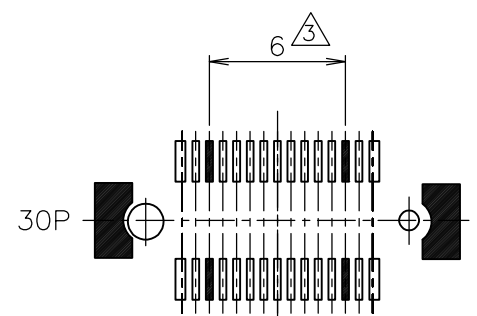
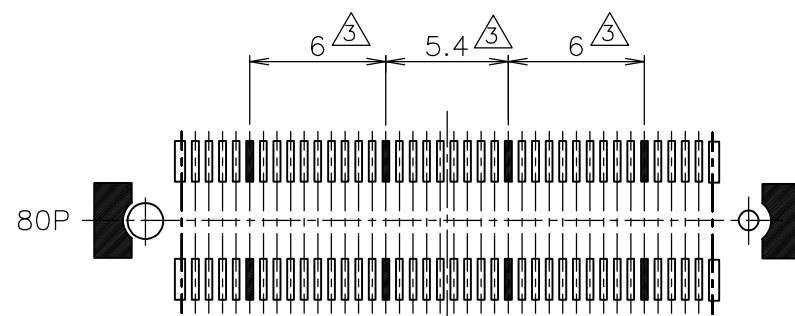
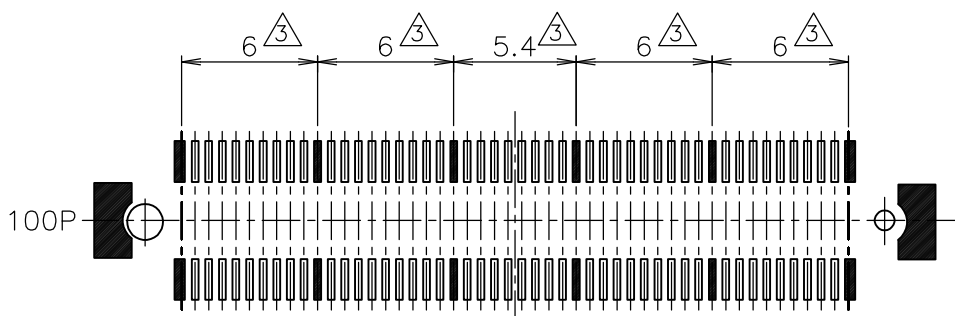
DIMENSIONS: 単位: 耗 mm	TOLERANCES UNLESS OTHERWISE SPECIFIED: 一般公差	DWN	Tyco Electronics Tyco Electronics Corporation Kawasaki, Japan	
		CHK	NAME 名称	
		APVD	EMBOSS ASSY FH 0.6BTB CONNECTOR PLUG 8H WITH G-PLATE	
MATERIAL 材料	FINISH 仕上	PRODUCT SPEC 製品規格	SIZE	CAGE CODE
		APPLICATION SPEC 取付適用規格	A3	00779
CUSTOMER DRAWING		WEIGHT	DRAWING NO 番号	RESTRICTED TO
			G-5353188	
		SCALE 尺度	SHEET	REV
		4:1	2 OF 3	A

THIS DRAWING IS UNPUBLISHED. RELEASED FOR PUBLICATION JUN , 1996.  
 © COPYRIGHT 1996 BY TYCO ELECTRONICS CORPORATION. ALL RIGHTS RESERVED.

LOC	DIST	REVISIONS 変更					
J		P	LTR	DESCRIPTION	DATE	DWN	APVD
			-	SEE SHEET 1	-	-	-

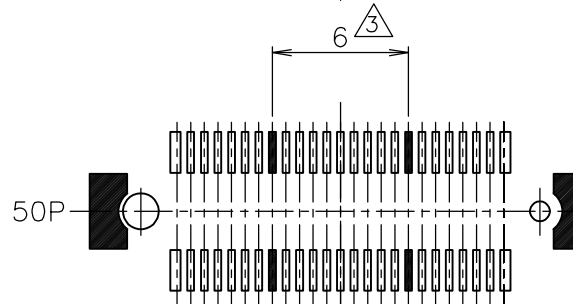
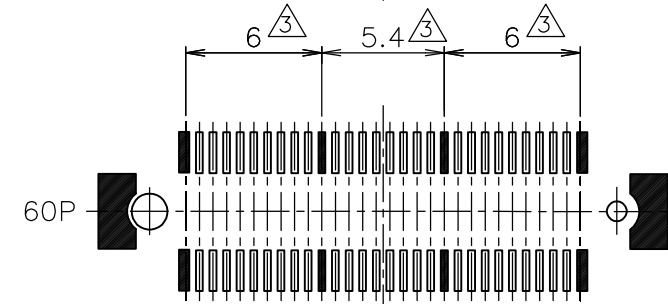
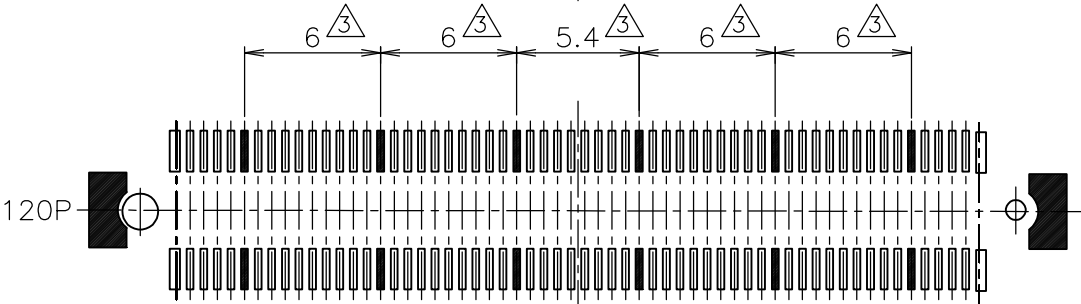
D

D



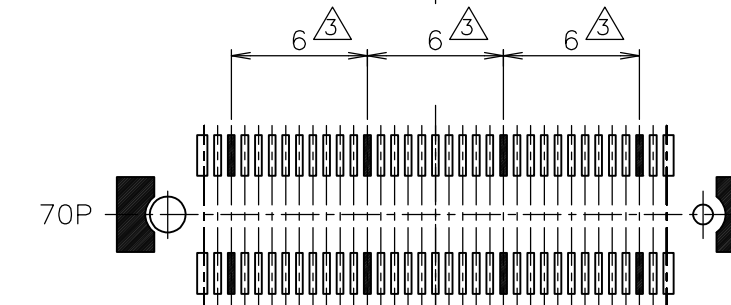
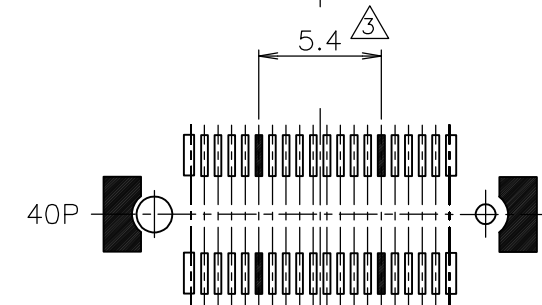
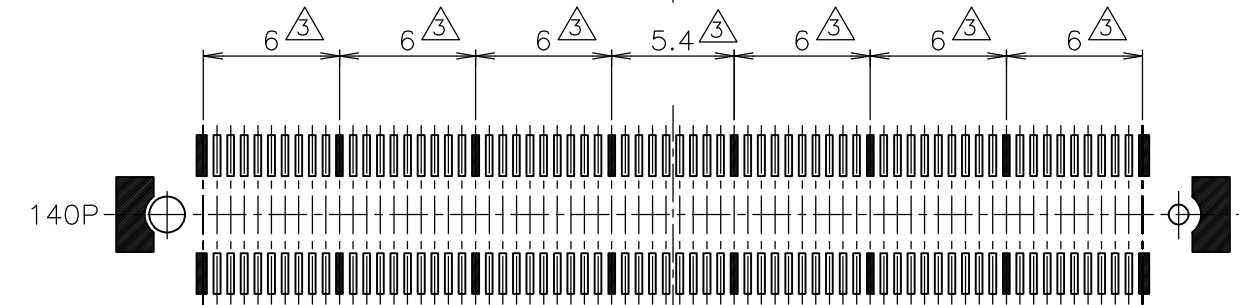
C

C



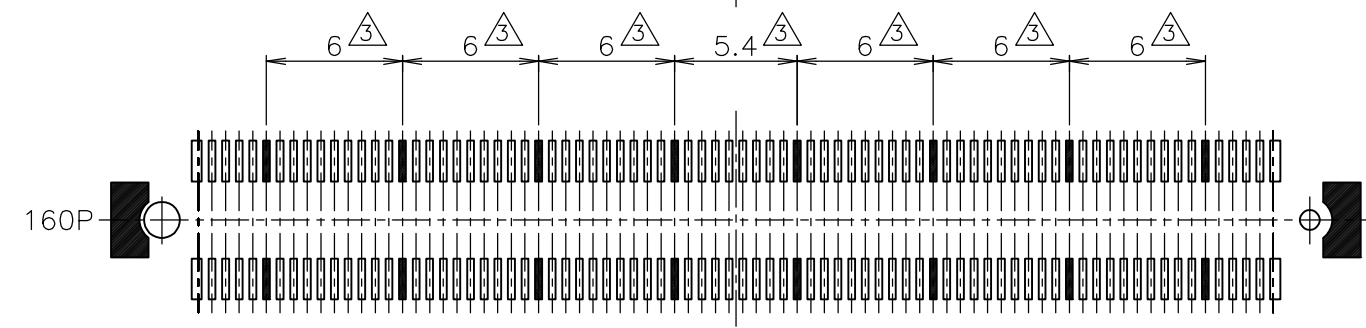
B

B



A

A



- △ MATERIAL ; HOUSING : HIGH TEMP THERMO PLASTIC UL94V-0  
CONTACT : COPPER ALLOY
- △ FINISH ; UNDER PL Ni 0.0013mm MIN ALL OVER.  
CONTACT AREA 0.0002 MIN Au PL.  
SOLDERING AREA 0.001 MIN TIN PL.
- △ THIS POSITION IS GROUND CIRCUIT.

GENERAL TOLERANCE  
一般公差

10 ≥ : ±0.2  
30 ≥ : >10: ±0.25  
100 ≥ : >30: ±0.3  
ANGLES: ±3°

THIS DRAWING IS A CONTROLLED DOCUMENT.		DWN	Tyco Electronics Corporation Kawasaki, Japan		
DIMENSIONS: 単位: 耗 mm		CHK	NAME 名称		
TOLERANCES UNLESS OTHERWISE SPECIFIED: 一般公差		APVD	EMBOSS ASSY FH 0.6BTB CONNECTOR PLUG 8H WITH G-PLATE		
0 PLC ± - 1 PLC ± - 2 PLC ± - 3 PLC ± - 4 PLC ± - ANGLES ± -		PRODUCT SPEC 製品規格	SIZE	CAGE CODE	DRAWING NO 番号
MATERIAL 材料		APPLICATION SPEC 取付適用規格	A3	00779	G-5353188
FINISH 仕上		WEIGHT	RESTRICTED TO		
△ 1		CUSTOMER DRAWING		SCALE 尺度 3:1	SHEET 3 OF 3
△ 2				REV A	