



Chipsmall Limited consists of a professional team with an average of over 10 year of expertise in the distribution of electronic components. Based in Hongkong, we have already established firm and mutual-benefit business relationships with customers from,Europe,America and south Asia,supplying obsolete and hard-to-find components to meet their specific needs.

With the principle of “Quality Parts,Customers Priority,Honest Operation,and Considerate Service”,our business mainly focus on the distribution of electronic components. Line cards we deal with include Microchip,ALPS,ROHM,Xilinx,Pulse,ON,Everlight and Freescale. Main products comprise IC,Modules,Potentiometer,IC Socket,Relay,Connector.Our parts cover such applications as commercial,industrial, and automotives areas.

We are looking forward to setting up business relationship with you and hope to provide you with the best service and solution. Let us make a better world for our industry!



Contact us

Tel: +86-755-8981 8866 Fax: +86-755-8427 6832

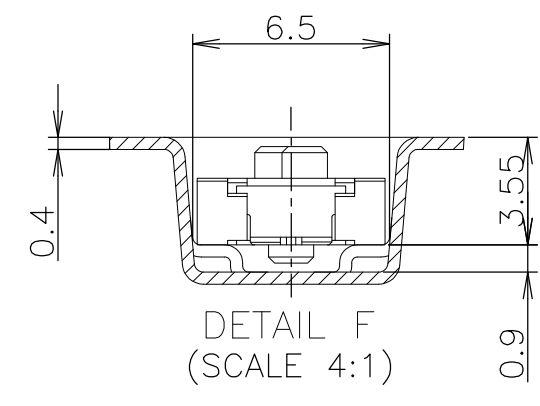
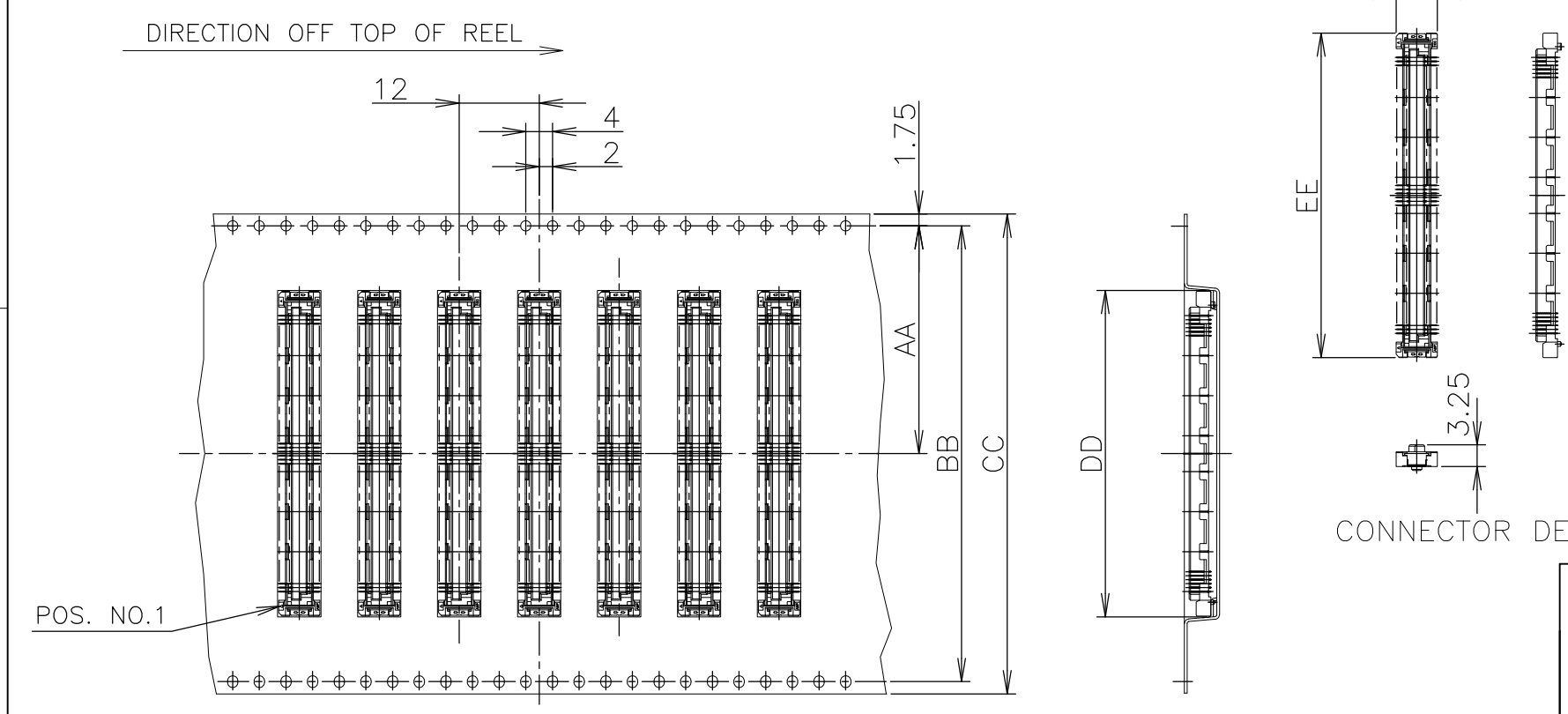
Email & Skype: info@chipsmall.com Web: www.chipsmall.com

Address: A1208, Overseas Decoration Building, #122 Zhenhua RD., Futian, Shenzhen, China

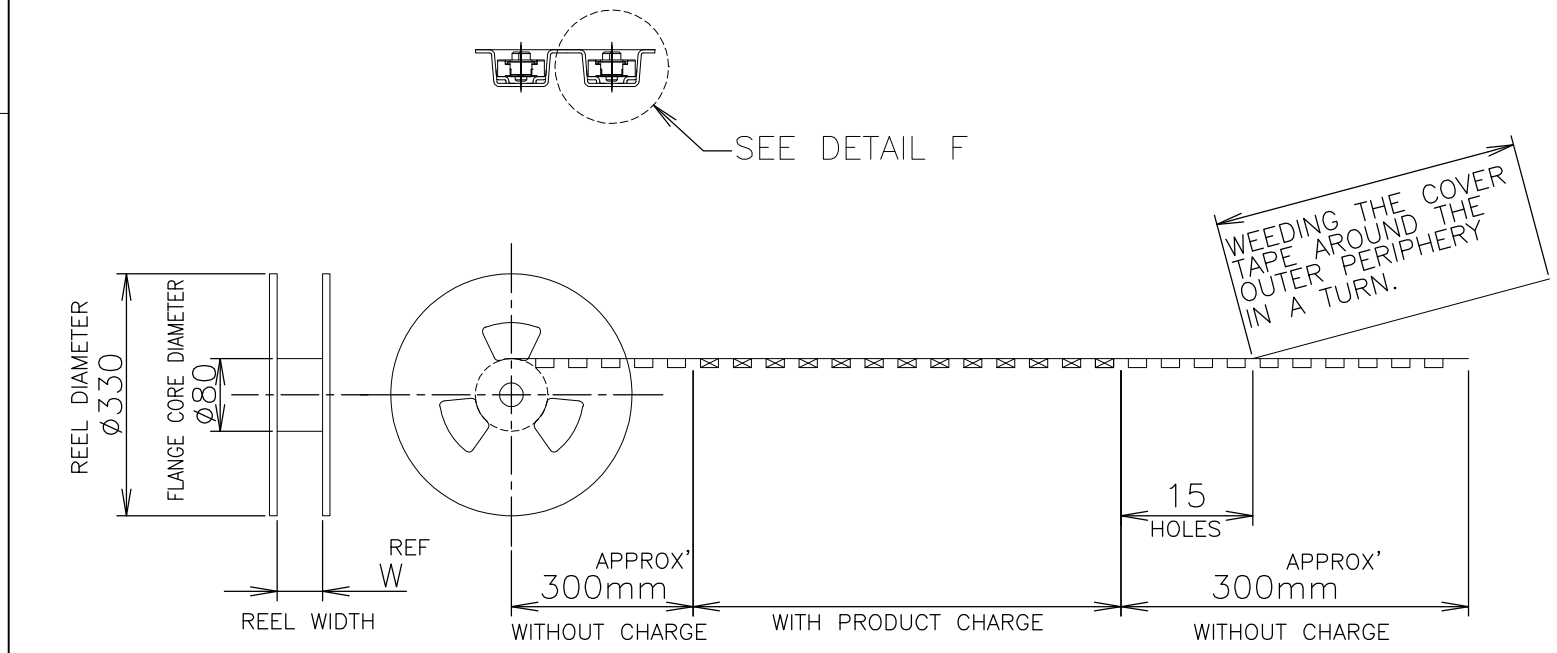


THIS DRAWING IS UNPUBLISHED. RELEASED FOR PUBLICATION JUN , 1996.
 © COPYRIGHT 1996 By - ALL RIGHTS RESERVED.

LOC	DIST	REVISIONS					
J		P	LTR	DESCRIPTION	DATE	DWN	APVD
			C1	REVISED PER ECO-11-005030	11MAR11	RK	HMR



CONNECTOR DETAIL



SEALANT	NOT AVAILABLE	1000	△	77.5	54.7	55	72	68.4	34.2	160	6-5353190-1
	AVAILABLE			77.5	48.7	49	72	68.4	34.2	140	6- -0
	NOT AVAILABLE			61.5	42.7	43	56	52.4	26.2	120	5- -9
	AVAILABLE			61.5	36.7	37	56	52.4	26.2	100	5- -8
	NOT AVAILABLE			61.5	33.7	34	56	52.4	26.2	90	5- -7
	AVAILABLE			49.5	30.7	31	44	40.4	20.2	80	5- -6
	AVAILABLE			49.5	27.7	28	44	40.4	20.2	70	5- -5
	NOT AVAILABLE			49.5	24.7	25	44	40.4	20.2	60	5- -4
	NOT AVAILABLE			37.5	21.7	22	32	28.4	14.2	50	5- -3
	AVAILABLE			37.5	18.7	19	32	28.4	14.2	40	5- -2
NON SEALANT	NOT AVAILABLE	1000	△	29.5	15.7	16	24	11.5	30	5-5353190-1	
	AVAILABLE	1000	△	77.5	48.7	49	72	68.4	34.2	140	4-5353190-0
	AVAILABLE		△	61.5	36.7	37	56	52.4	26.2	100	3- -8
	NOT AVAILABLE		△	77.5	54.7	55	72	68.4	34.2	160	1- -1
	AVAILABLE			77.5	48.7	49	72	68.4	34.2	140	1- -0
	NOT AVAILABLE			61.5	42.7	43	56	52.4	26.2	120	-9
	AVAILABLE			61.5	36.7	37	56	52.4	26.2	100	-8
	NOT AVAILABLE			61.5	33.7	34	56	52.4	26.2	90	-7
	AVAILABLE			49.5	30.7	31	44	40.4	20.2	80	-6
	AVAILABLE			49.5	27.7	28	44	40.4	20.2	70	-5
SEALANT	NOT AVAILABLE			49.5	24.7	25	44	40.4	20.2	60	-4
	NOT AVAILABLE			37.5	21.7	22	32	28.4	14.2	50	-3
	AVAILABLE			37.5	18.7	19	32	28.4	14.2	40	-2
	NOT AVAILABLE	1000	△	29.5	15.7	16	24	11.5	30	5353190-1	
	TOOLING STATUS	QTY.	FINISH	W	EE	DD	CC	BB	AA	POS.	PART NO.

THIS DRAWING IS A CONTROLLED DOCUMENT.

DWN LEO ZHOU 16NOV04
 CHK STEVEN YAO 16NOV04
 APVD I.ENOMOTO 16NOV04

STE TE Connectivity

EMBOSS ASSY
 FH 0.6BTB CONNECTOR
 REC 4H WITH G-CONTACT

PRODUCT SPEC 108-60047
 APPLICATION SPEC 114-5255

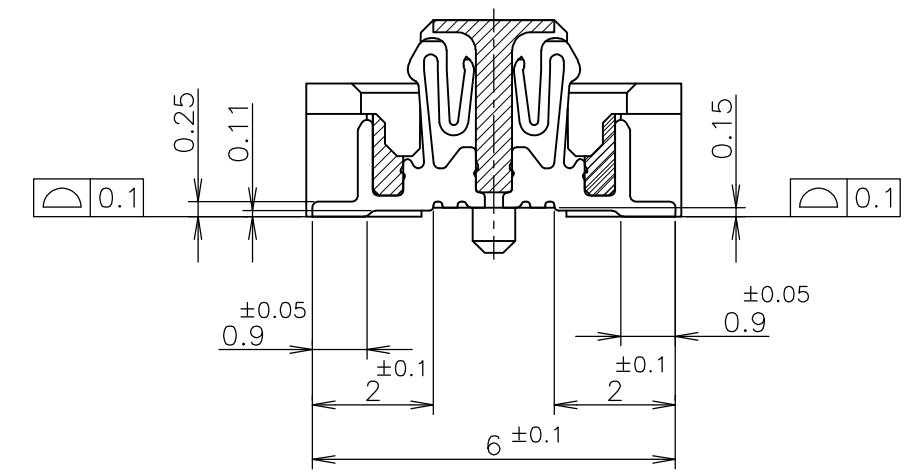
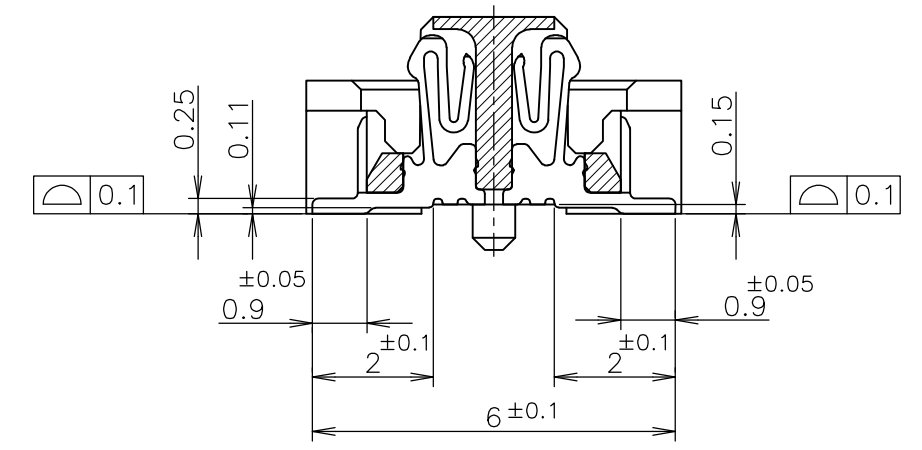
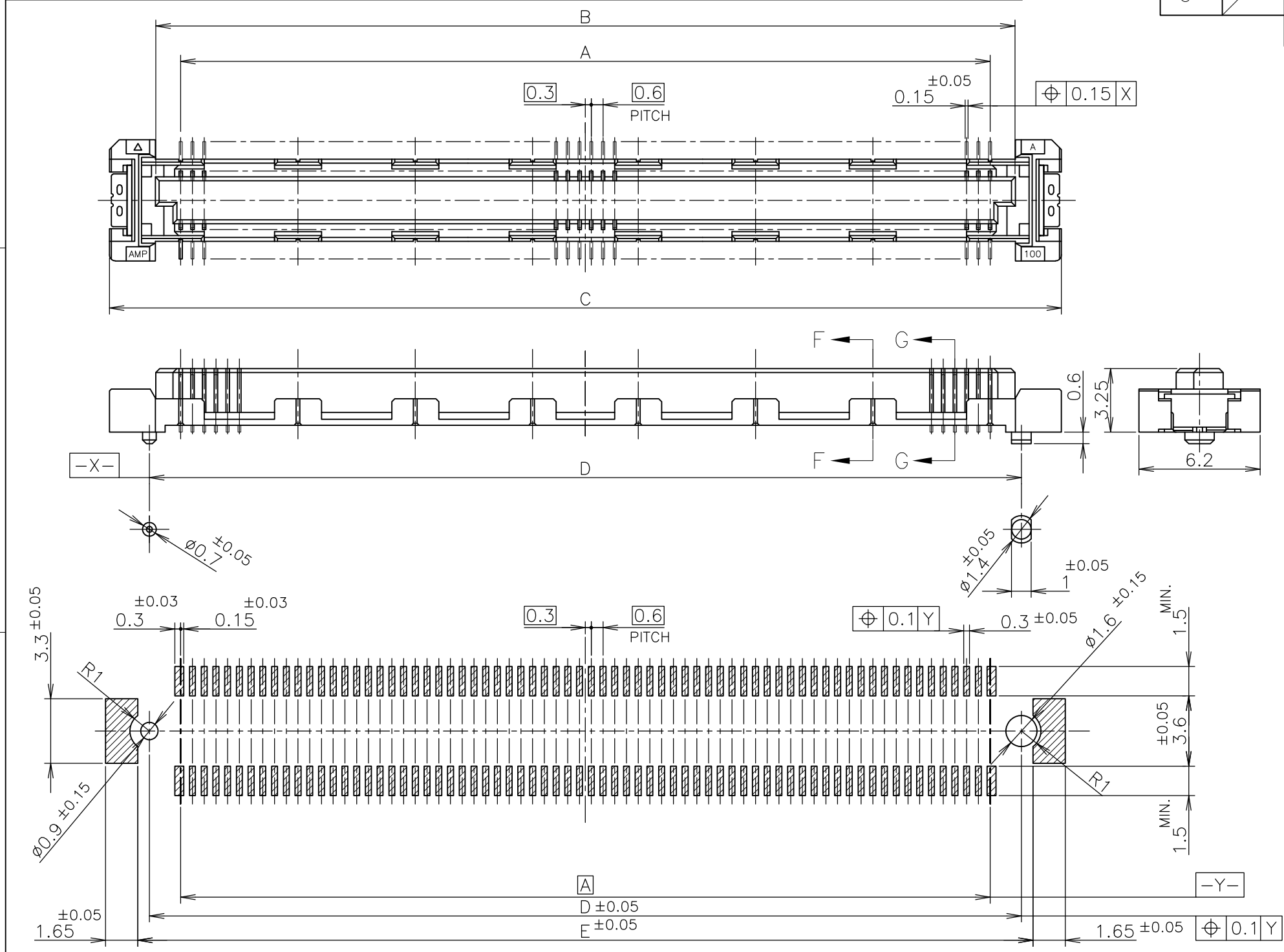
SIZE A3 CAGE CODE 00779 DRAWING NO G-5353190 RESTRICTED TO

MATERIAL ① FINISH ② ③

WEIGHT CUSTOMER DRAWING SCALE 1:1 SHEET 1 OF 3 REV C1

THIS DRAWING IS UNPUBLISHED. RELEASED FOR PUBLICATION JUN , 1996.
 © COPYRIGHT 1996 By - ALL RIGHTS RESERVED.

LOC	DIST	REVISIONS		
J		变更	DATE	DWN
P	LTR	DESCRIPTION		APVD
		SEE SHEET 1	-	-



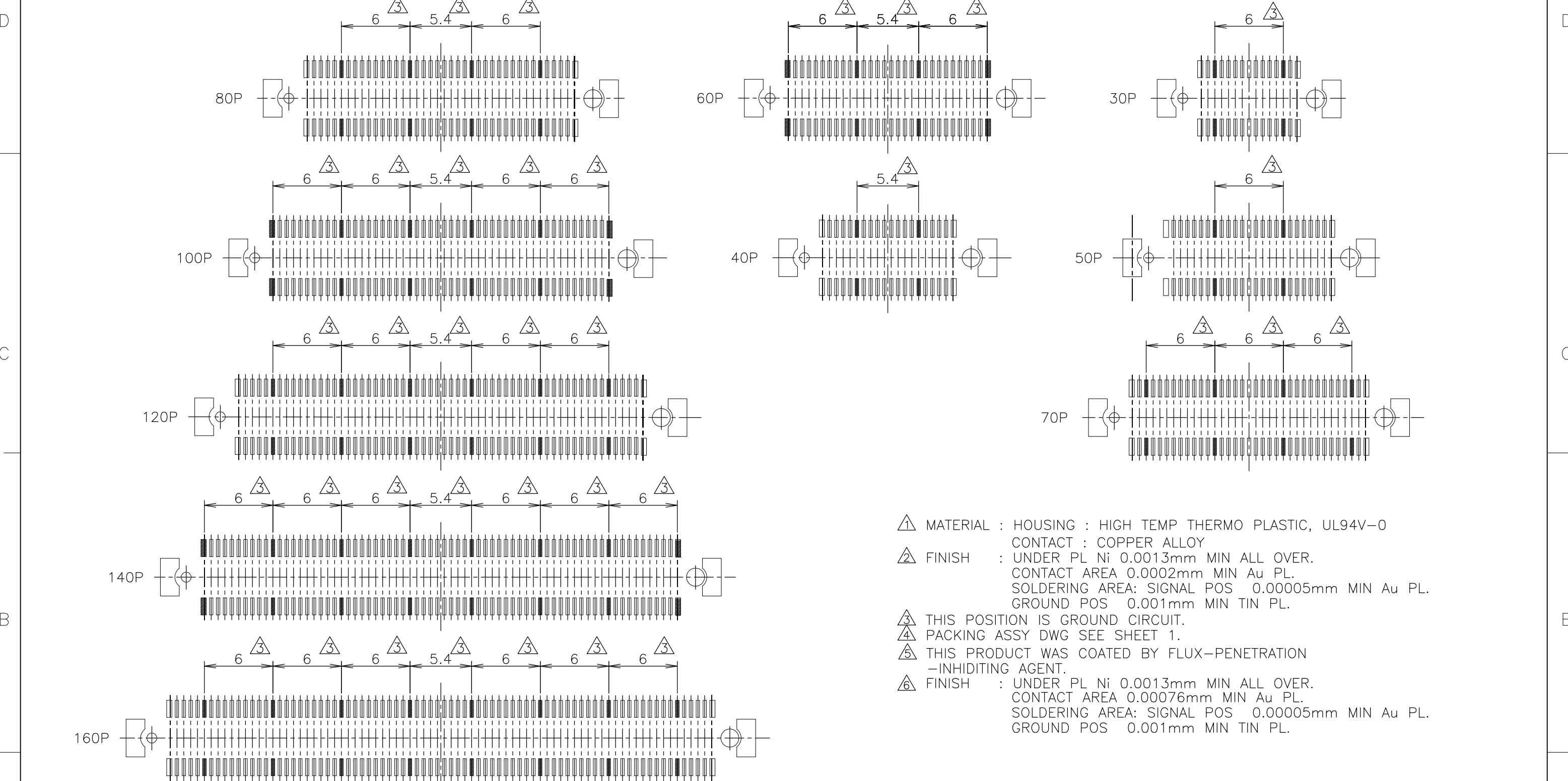
45.8	44.6	48.7	44	41.4	140	4-5353190-0		
33.8	32.6	36.7	32	29.4	100	3-8		
51.8	50.6	54.7	50	47.4	160	1-1 & 6-5353190-1		
45.8	44.6	48.7	44	41.4	140	1-0 & 6-0		
39.8	38.6	42.7	38	35.4	120	-9 & 5-9		
33.8	32.6	36.7	32	29.4	100	-8 & 5-8		
30.8	29.6	33.7	29	26.4	90	-7 & 5-7		
27.8	26.6	30.7	26	23.4	80	-6 & 5-6		
24.8	23.6	27.7	23	20.4	70	-5 & 5-5		
21.8	20.6	24.7	20	17.4	60	-4 & 5-4		
18.8	17.6	21.7	17	14.4	50	-3 & 5-3		
15.8	14.6	18.7	14	11.4	40	-2 & 5-2		
12.8	11.6	15.7	11	8.4	30	5353190-1 & 5-5353190-1		
E	D	C	B	A	POS	PART NO.		

REFERENCE P.C.BOARD LAYOUT

THIS DRAWING IS A CONTROLLED DOCUMENT.		DWN	STE TE Connectivity		
DIMENSIONS: 单位: 耗 mm		CHK			
TOLERANCES UNLESS OTHERWISE SPECIFIED: 一般公差		APVD	NAME 名称		
0 PLC ± 0.3		PRODUCT SPEC 製品規格	EMBOSS ASSY		
1 PLC ± 0.3		APPLICATION SPEC 取付適用規格	FH 0.6BTB CONNECTOR		
2 PLC ± 0.3		WEIGHT	SIZE	CAGE CODE	DRAWING NO 番号
3 PLC ± 0.3		CUSTOMER DRAWING	A3	00779	G-5353190
4 PLC ± 0.3			SCALE 尺度	4:1	SHEET 2 OF 3
ANGLES ± 3'		RESTRICTED TO			
FINISH 仕上					

THIS DRAWING IS UNPUBLISHED. RELEASED FOR PUBLICATION JUN , 1996.
 © COPYRIGHT 1996 By - ALL RIGHTS RESERVED.

LOC	DIST	REVISIONS 変更			DATE	DWN	APVD
J		P	LTR	DESCRIPTION			
		-		SEE SHEET 1	-	-	-



- ① MATERIAL : HOUSING : HIGH TEMP THERMO PLASTIC, UL94V-0
CONTACT : COPPER ALLOY
- ② FINISH : UNDER PL Ni 0.0013mm MIN ALL OVER.
CONTACT AREA 0.0002mm MIN Au PL.
SOLDERING AREA: SIGNAL POS 0.00005mm MIN Au PL.
GROUND POS 0.001mm MIN TIN PL.
- ③ THIS POSITION IS GROUND CIRCUIT.
- ④ PACKING ASSY DWG SEE SHEET 1.
- ⑤ THIS PRODUCT WAS COATED BY FLUX-PENETRATION
-INHIDTING AGENT.
- ⑥ FINISH : UNDER PL Ni 0.0013mm MIN ALL OVER.
CONTACT AREA 0.00076mm MIN Au PL.
SOLDERING AREA: SIGNAL POS 0.00005mm MIN Au PL.
GROUND POS 0.001mm MIN TIN PL.

THIS DRAWING IS A CONTROLLED DOCUMENT.		DWN		STE TE Connectivity	
DIMENSIONS: 単位: 耗 mm		CHK			
TOLERANCES UNLESS OTHERWISE SPECIFIED: 一般公差		APVD		NAME 名称	
0 PLC ± 0.3		PRODUCT SPEC 製品規格		EMBOSS ASSY	
1 PLC ± 0.3		APPLICATION SPEC 取付適用規格		FH 0.6BTB CONNECTOR	
2 PLC ± 0.3		WEIGHT		REC 4H WITH G-CONTACT	
3 PLC ± 0.3		CUSTOMER DRAWING		SIZE	CAGE CODE
4 PLC ± 0.3				A3	00779
ANGLES ± 3'				DRAWING NO 番号	
FINISH 仕上				G-5353190	
MATERIAL 材料				RESTRICTED TO	
				SCALE 尺度	3:1
				SHEET	3 OF 3
				REV	C1