



Chipsmall Limited consists of a professional team with an average of over 10 year of expertise in the distribution of electronic components. Based in Hongkong, we have already established firm and mutual-benefit business relationships with customers from,Europe,America and south Asia,supplying obsolete and hard-to-find components to meet their specific needs.

With the principle of “Quality Parts,Customers Priority,Honest Operation,and Considerate Service”,our business mainly focus on the distribution of electronic components. Line cards we deal with include Microchip,ALPS,ROHM,Xilinx,Pulse,ON,Everlight and Freescale. Main products comprise IC,Modules,Potentiometer,IC Socket,Relay,Connector.Our parts cover such applications as commercial,industrial, and automotives areas.

We are looking forward to setting up business relationship with you and hope to provide you with the best service and solution. Let us make a better world for our industry!



## Contact us

Tel: +86-755-8981 8866 Fax: +86-755-8427 6832

Email & Skype: info@chipsmall.com Web: www.chipsmall.com

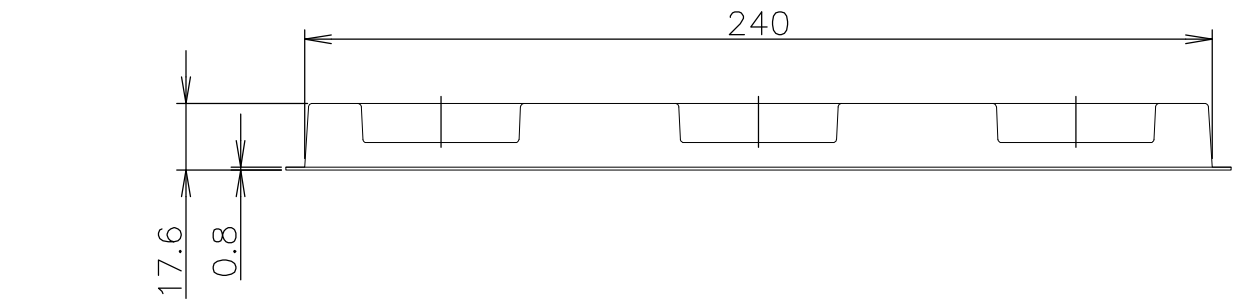
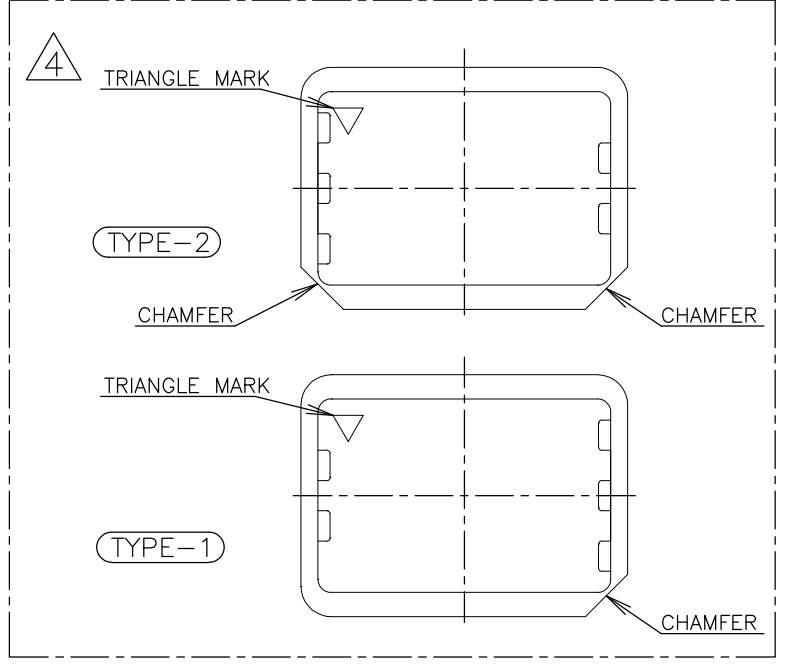
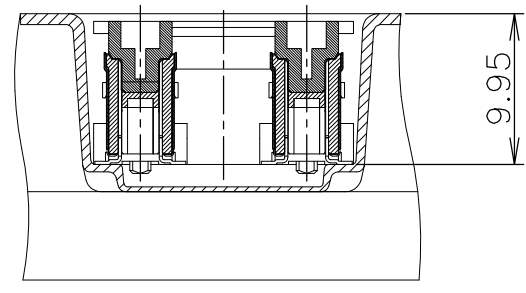
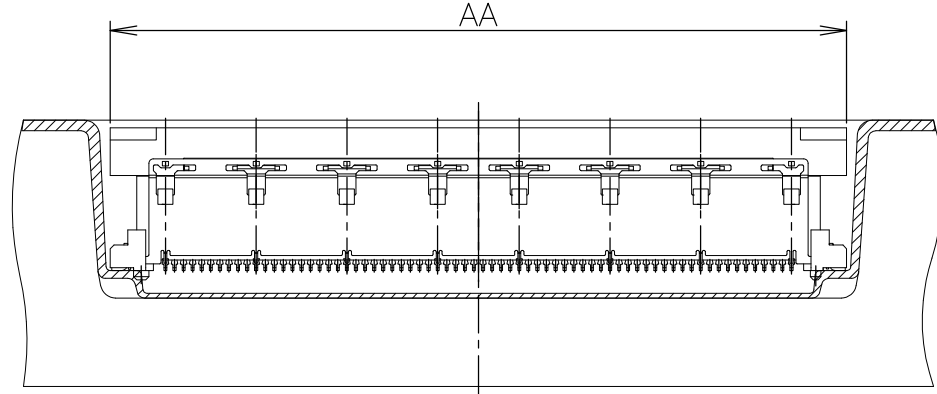
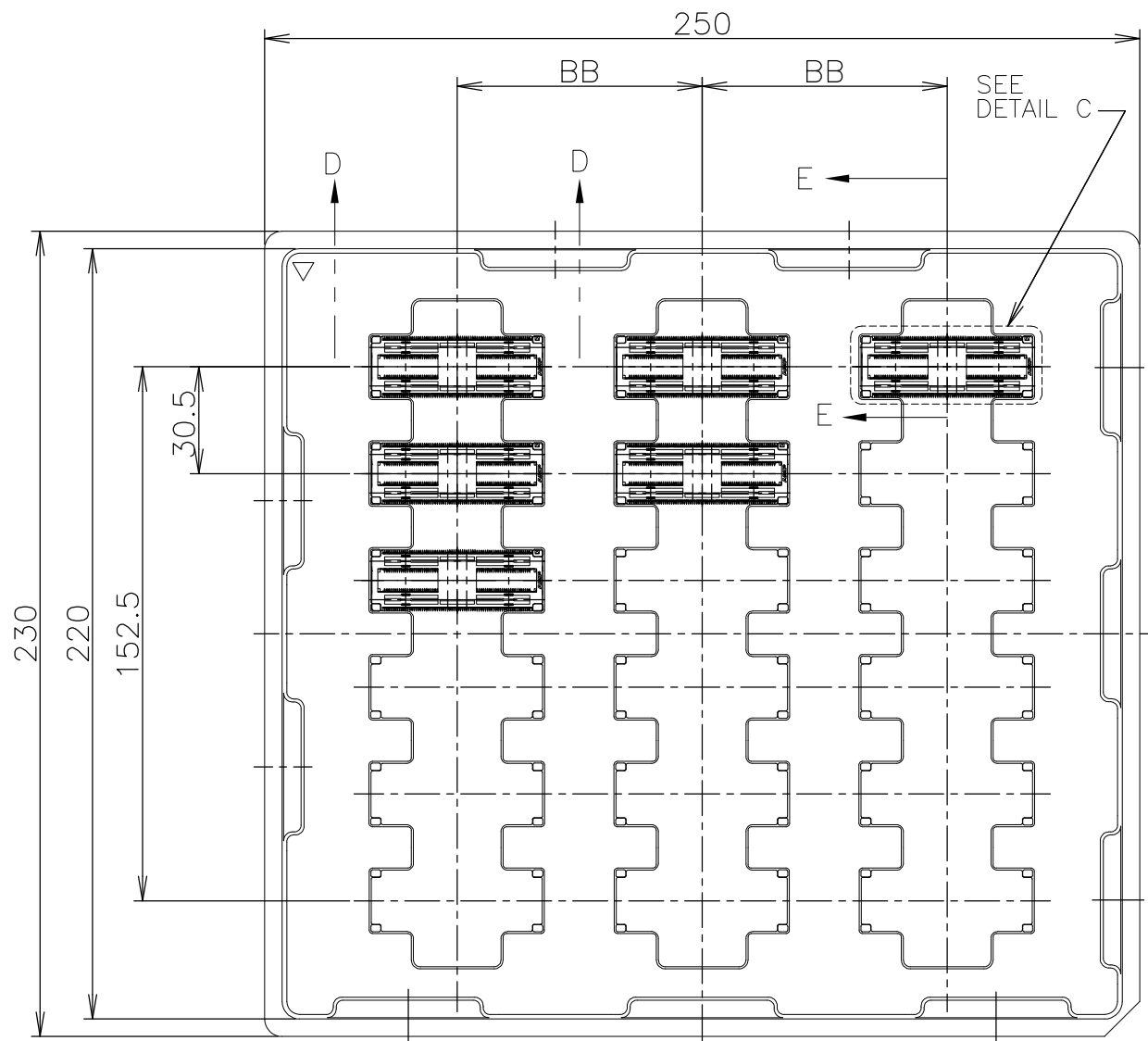
Address: A1208, Overseas Decoration Building, #122 Zhenhua RD., Futian, Shenzhen, China



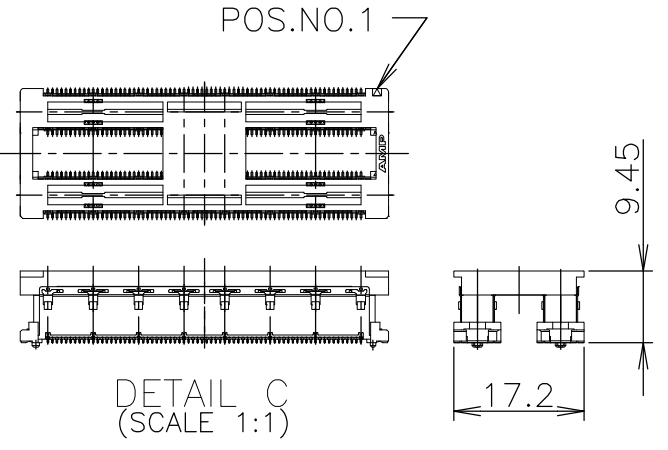
THIS DRAWING IS UNPUBLISHED. RELEASED FOR PUBLICATION JAN , 1997.  
 © COPYRIGHT 1997 BY TYCO ELECTRONICS CORPORATION. ALL RIGHTS RESERVED.

LOC J	DIST	REVISIONS 変更			DATE	DWN	APVD
		P	LTR	DESCRIPTION			
		A	REVISED	ECR-08-000339	01FEB08	T.T	T.F

AS SHOWN: TYPE-1



SEALANT	NOT AVAILABLE	3	18	70	54.7	320	6-5353727-1
	AVAILABLE	↑	↑	↑	48.7	280	6- ↑ -0
	NOT AVAILABLE	↓	↓	↓	42.7	240	5- ↓ -9
	NOT AVAILABLE	3	18	70	36.7	200	5-5353727-8
NON SEALANT	NOT AVAILABLE	3	18	70	54.7	320	1-5353727-1
	AVAILABLE	↑	↑	↑	48.7	280	1- ↑ -0
	NOT AVAILABLE	↓	↓	↓	42.7	240	↓ -9
	NOT AVAILABLE	3	18	70	36.7	200	5353727-8
SEALANT	TOOLING STATUS	ROW	QTY	BB	AA	POS.	PART NO.



GENERAL TOLERANCE  
一般公差

10 ≥ ±0.2  
30 ≥ >10: ±0.25  
100 ≥ >30: ±0.3  
ANGLES: ±3°

THIS DRAWING IS A CONTROLLED DOCUMENT.

DIMENSIONS: 单位: 耗 mm

TOLERANCES UNLESS OTHERWISE SPECIFIED: 一般公差

0 PLC ± -  
1 PLC ± -  
2 PLC ± -  
3 PLC ± -  
4 PLC ± -  
ANGLES ± -

MATERIAL 材料

FINISH 仕上

DWN LEO ZHOU 17NOV04  
 CHK STEVEN YAO 17NOV04  
 APVD I.ENOMOTO 17NOV04

Tyco Electronics Corporation  
Kawasaki, Japan

NAME 名称  
SOFT TRAY ASSY  
FH 0.6BTB CONNECTOR  
PLUG 8H W/G-PLATE 2ROW TYPE

PRODUCT SPEC 製品規格  
108-60047

APPLICATION SPEC 取付適用規格  
114-5255

WEIGHT

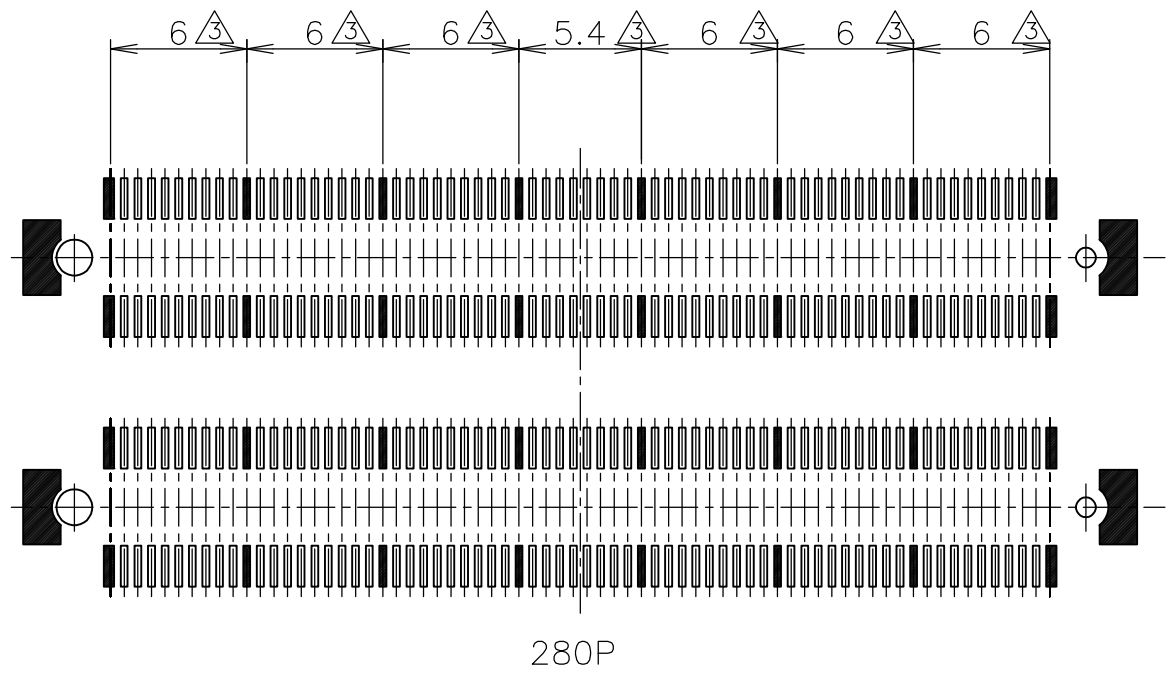
SIZE A3 CAGE CODE 00779 DRAWING NO. 番号 G-5353727 RESTRICTED TO

CUSTOMER DRAWING SCALE 尺度 1:2 SHEET 1 OF 3 REV A

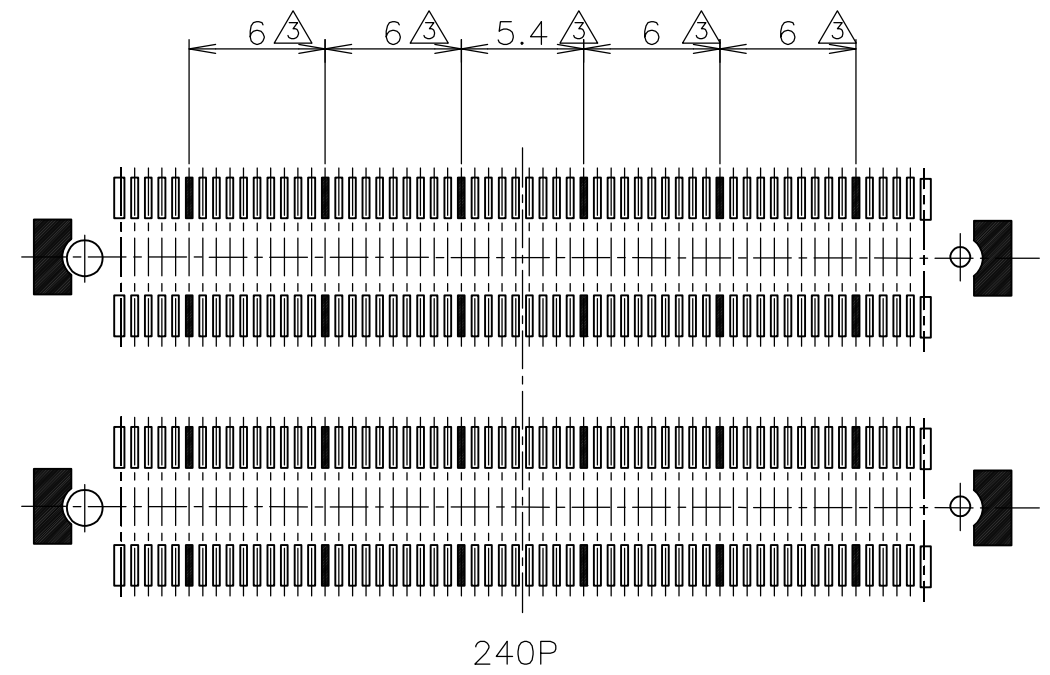


THIS DRAWING IS UNPUBLISHED. RELEASED FOR PUBLICATION JAN , 1997.  
 © COPYRIGHT 1997 BY TYCO ELECTRONICS CORPORATION. ALL RIGHTS RESERVED.

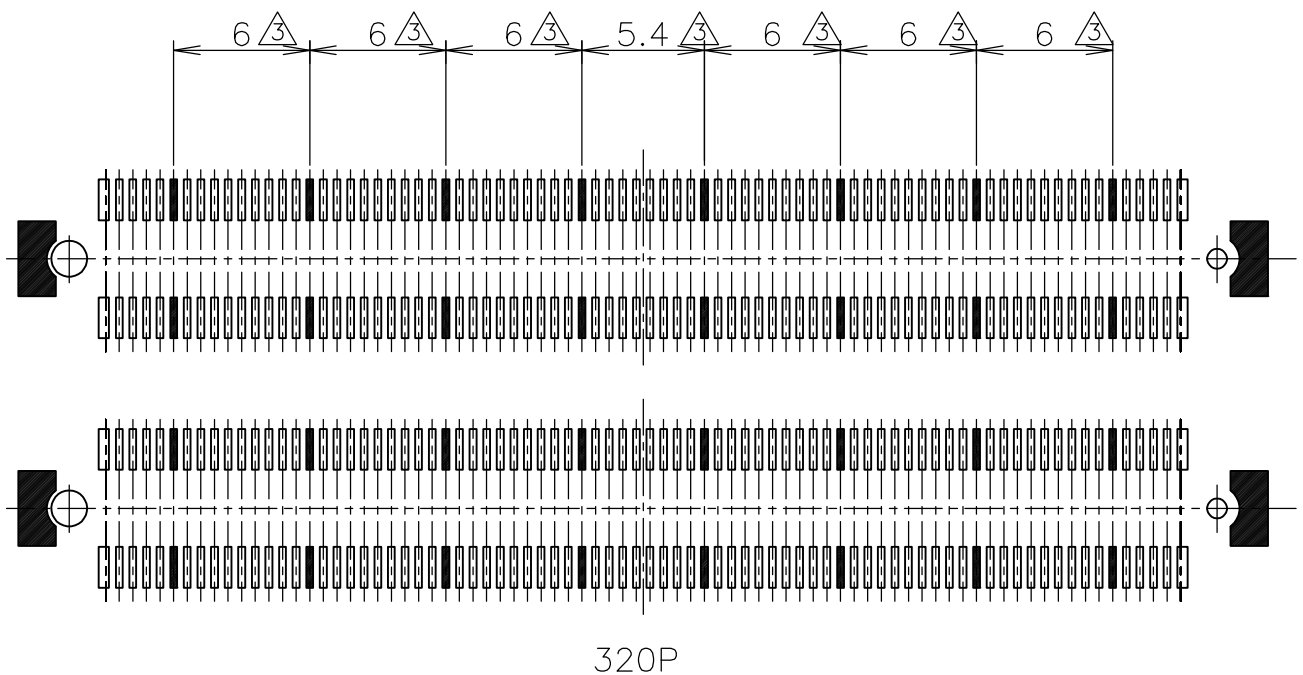
LOC	DIST	REVISIONS 変更			DATE	DWN	APVD
J		P	LTR	DESCRIPTION			
			-	SEE SHEET 1	-	-	-



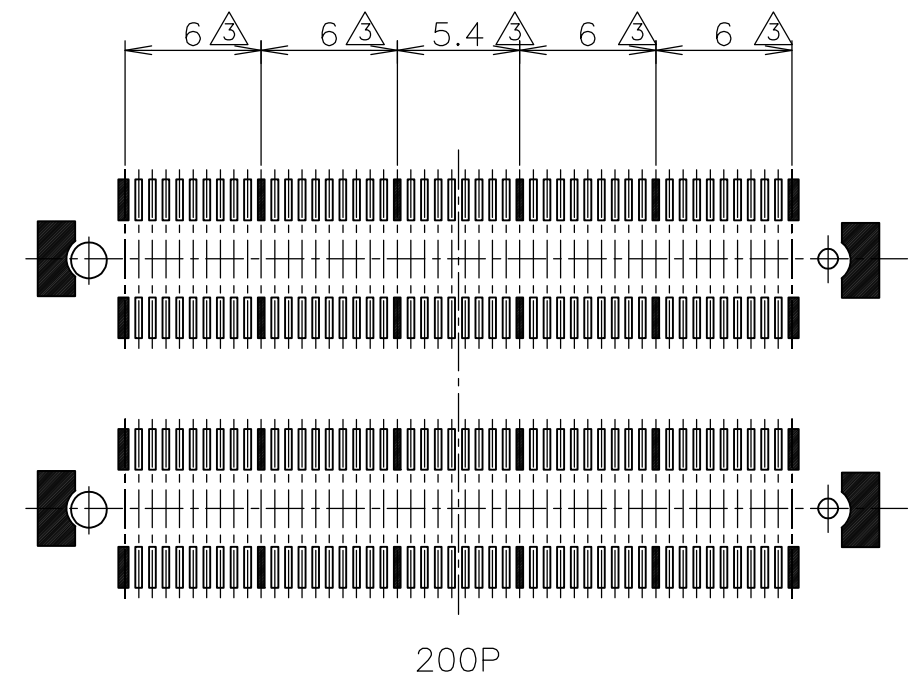
280P



240P



320P



200P

THIS DRAWING IS A CONTROLLED DOCUMENT.		DWN	Tyco Electronics Corporation Kawasaki, Japan	
DIMENSIONS: 単位: 耗 mm	TOLERANCES UNLESS OTHERWISE SPECIFIED: 一般公差	CHK	NAME 名称	
	0 PLC ± -	APVD	SOFT TRAY ASSY	
	1 PLC ± -	PRODUCT SPEC 製品規格	FH 0.6BTB CONNECTOR	
	2 PLC ± -	APPLICATION SPEC 取付適用規格	PLUG 8H W/G-PLATE 2ROW TYPE	
	3 PLC ± -	WEIGHT	SIZE	CAGE CODE
MATERIAL 材料	4 PLC ± -	CUSTOMER DRAWING	A3	00779
	ANGLES ± -		DRAWING NO 番号	G-5353727
	FINISH 仕上	RESTRICTED TO		
		SCALE 尺度	3:1	SHEET 3 OF 3
				REV A