



Chipsmall Limited consists of a professional team with an average of over 10 year of expertise in the distribution of electronic components. Based in Hongkong, we have already established firm and mutual-benefit business relationships with customers from,Europe,America and south Asia,supplying obsolete and hard-to-find components to meet their specific needs.

With the principle of “Quality Parts,Customers Priority,Honest Operation,and Considerate Service”,our business mainly focus on the distribution of electronic components. Line cards we deal with include Microchip,ALPS,ROHM,Xilinx,Pulse,ON,Everlight and Freescale. Main products comprise IC,Modules,Potentiometer,IC Socket,Relay,Connector.Our parts cover such applications as commercial,industrial, and automotives areas.

We are looking forward to setting up business relationship with you and hope to provide you with the best service and solution. Let us make a better world for our industry!



Contact us

Tel: +86-755-8981 8866 Fax: +86-755-8427 6832

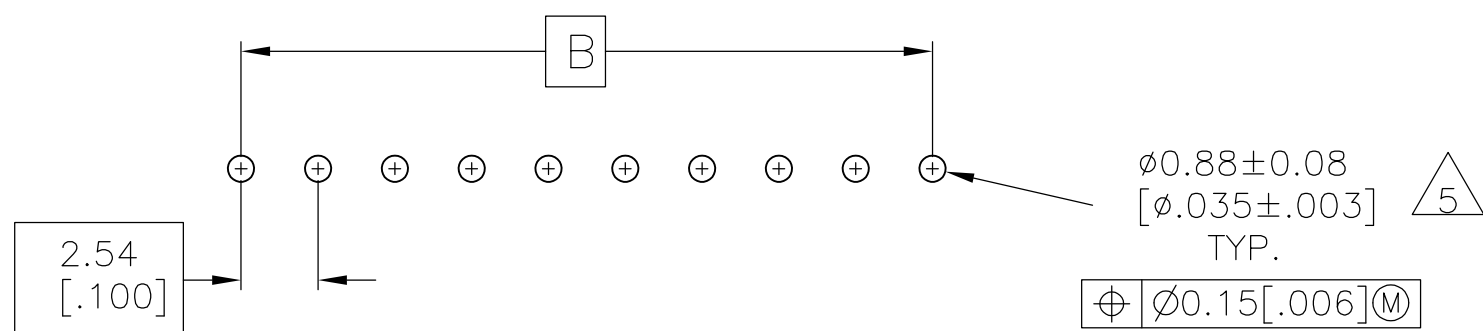
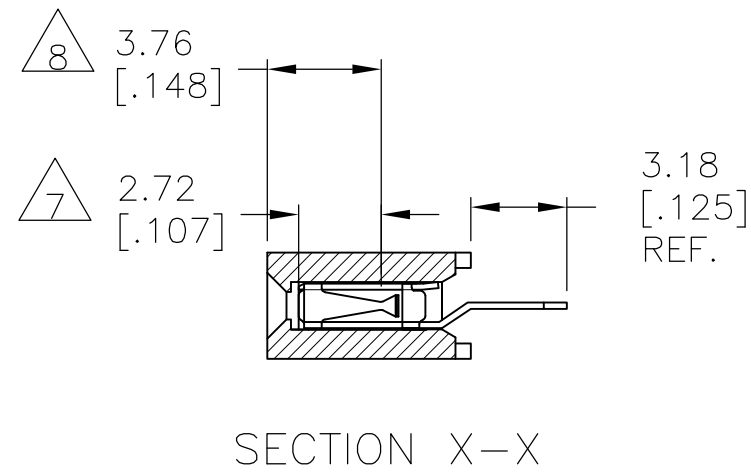
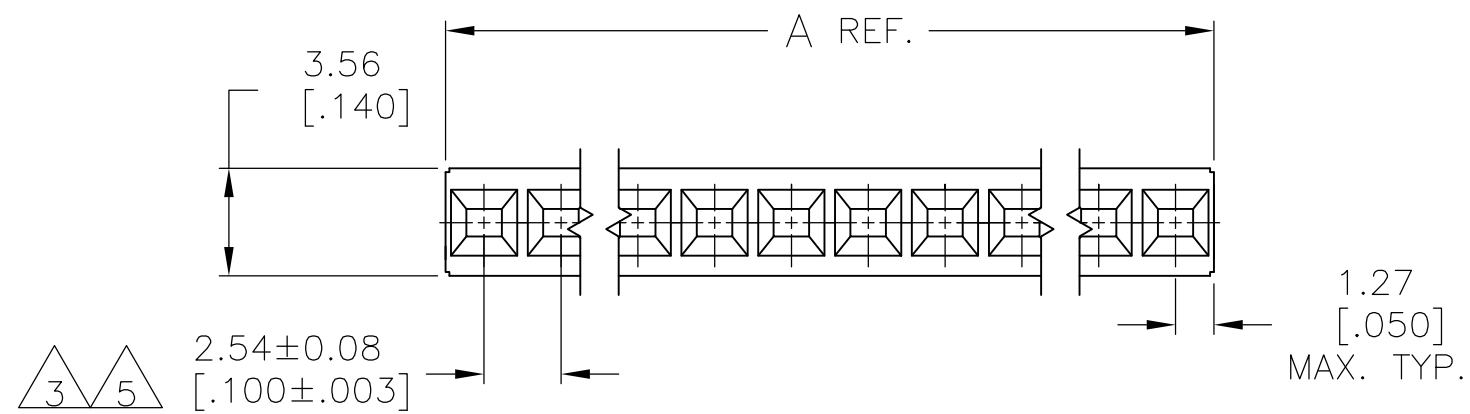
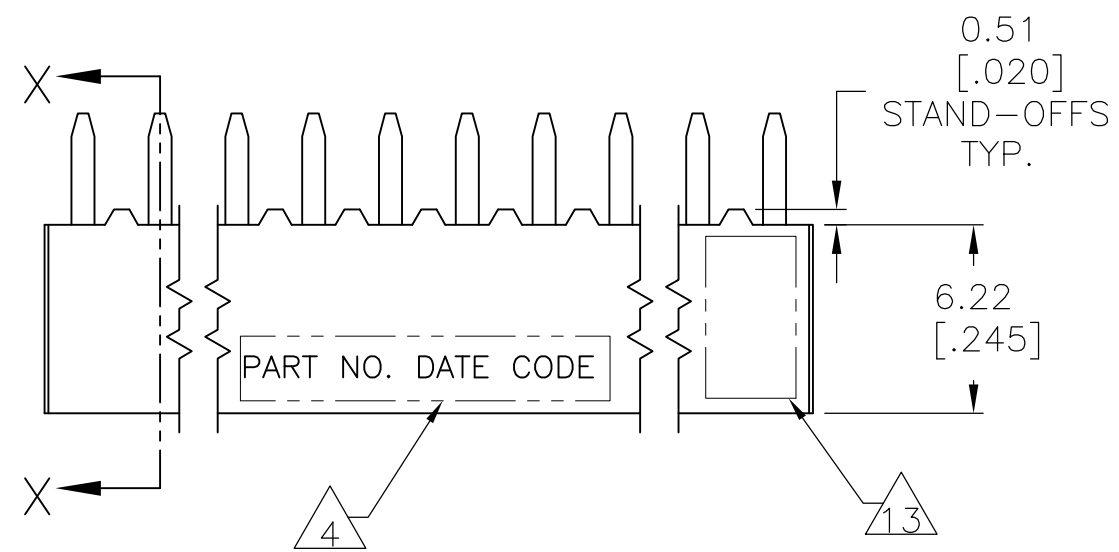
Email & Skype: info@chipsmall.com Web: www.chipsmall.com

Address: A1208, Overseas Decoration Building, #122 Zhenhua RD., Futian, Shenzhen, China



THIS DRAWING IS UNPUBLISHED. RELEASED FOR PUBLICATION
 © COPYRIGHT - By - ALL RIGHTS RESERVED.

LOC		DIST		REVISIONS			
P	LTR	DESCRIPTION		DATE	DWN	APVD	
AD	00	R5		REVISED PER ECO-13-005565	30MAR13	KH	JO



- 1 HOUSING: FLAME RETARDANT, GLASS FILLED, THERMOPLASTIC, COLOR: BLACK. CONTACT: PHOSPHOR BRONZE
- 2 CONTACT: 2.54-5.08µm[.000100-.000200] BRIGHT TIN-LEAD OVER 1.27µm[.000050] NICKEL
- 3 THESE DIMENSIONS PERTAIN TO CAVITY CENTERLINES ONLY - NOT TO CONTACT LOCATIONS
- 4 MARK PART NUMBER AND DATE CODE IN APPROXIMATE LOCATION SHOWN, EITHER SIDE.
- 5 TOLERANCE IS NON-CUMULATIVE.
- 6 2 POSITION DATE CODE IS MARKED OPPOSITE SIDE OF TE LOGO.
- 7 POINT-OF-MEASUREMENT DIMENSION FOR PLATING THICKNESS (INSIDE CONTACT BEAM).
- 8 POINT-OF-CONTACT DIMENSION.
- 9 CONTACT: 3.81-7.62µm[.000150-.000300] MATTE TIN OVER 1.27µm[.000050] MIN. NICKEL
- 11 ROHS 2002/95/EC COMPLIANT
- 12 NO PART NUMBER MARKING REQUIRED FOR THIS PART.
- 13 TE LOGO AND CSA LOGO MOLDED INTO HOUSING, THIS LOCATION.

THIS DRAWING IS A CONTROLLED DOCUMENT.		DWN M.BINNER 05NOV02	TE Connectivity	
DIMENSIONS: mm [INCHES]		CHK J.OLSON 05NOV02		
TOLERANCES UNLESS OTHERWISE SPECIFIED:		APVD J.OLSON 05NOV02	NAME RECPT. ASSY., MOD IV, SINGLE ROW, .100 CL., VERTICAL BOARD MOUNT, CLOSED, TOP ENTRY, SHORT PNT. OF CONTACT	
0 PLC ± -	1 PLC ± -	PRODUCT SPEC 108-25022	SIZE A2	CAGE CODE 00779
2 PLC ± 0.25[.010]	3 PLC ± 0.13[.005]	APPLICATION SPEC 114-25018	DRAWING NO C=535584	RESTRICTED TO -
4 PLC ± -	ANGLES ± -	WEIGHT -	SCALE 4:1	SHEET 1 OF 2
MATERIAL 1	FINISH 2	CUSTOMER DRAWING	REV R5	

THIS DRAWING IS UNPUBLISHED. RELEASED FOR PUBLICATION
 © COPYRIGHT - By - ALL RIGHTS RESERVED.


LOC		DIST		REVISIONS			
P	LTR	DESCRIPTION		DATE	DWN	APVD	
		SEE SHEET 1					

FINISH	B	A	NO OF POSN	PART NUMBER
				8-535584-9
				8-535584-8
				8-535584-7
				8-535584-6
				8-535584-5
				8-535584-4
				8-535584-3
				8-535584-2
				8-535584-1
				8-535584-0
				7-535584-9
				7-535584-8
				7-535584-7
				7-535584-6
				7-535584-5
				7-535584-4
				7-535584-3
				7-535584-2
				7-535584-1
				7-535584-0
				6-535584-9
				6-535584-8
				6-535584-7
				6-535584-6
				6-535584-5
				6-535584-4
				6-535584-3
				6-535584-2
				6-535584-1
				6-535584-0
				5-535584-9
				5-535584-8
				5-535584-7
				5-535584-6
				5-535584-5
				5-535584-4
				5-535584-3
				5-535584-2
				5-535584-1

FINISH	B	A	NO OF POSN	PART NUMBER
				4-535584-0
				3-535584-9
				3-535584-8
				3-535584-7
				3-535584-6
				3-535584-5
				3-535584-4
				3-535584-3
				3-535584-2
				3-535584-1
				3-535584-0
				2-535584-9
				2-535584-8
				2-535584-7
				2-535584-6
				2-535584-5
				2-535584-4
				2-535584-3
				2-535584-2
				2-535584-1
				2-535584-0
				1-535584-9
				1-535584-8
				1-535584-7
				1-535584-6
				1-535584-5
				1-535584-4
				1-535584-3
				1-535584-2
				1-535584-1
				1-535584-0
				535584-9
				535584-8
				535584-7
				535584-6
				535584-5
				535584-4
				535584-3
				535584-2
				535584-1

SUPERSEDED BY 5-535584-8

SUPERCEDED BY 6-535584-5

THIS DRAWING IS A CONTROLLED DOCUMENT.		DWN M.BINNER 05NOV02	 TE Connectivity	
DIMENSIONS: mm [INCHES]		CHK J.OLSON 05NOV02		
TOLERANCES UNLESS OTHERWISE SPECIFIED:		APVD J.OLSON 05NOV02	NAME RECPT. ASSY., MOD IV, SINGLE ROW, .100 CL., VERTICAL BOARD MOUNT, CLOSED, TOP ENTRY, SHORT PNT. OF CONTACT	
0 PLC ± - 1 PLC ± - 2 PLC ± 0.25[.010] 3 PLC ± 0.13[.005] 4 PLC ± - ANGLES ± -		PRODUCT SPEC 108-25022	RESTRICTED TO	
MATERIAL		APPLICATION SPEC 114-25018	SIZE A2	CAGE CODE 00779
FINISH		WEIGHT -	DRAWING NO C=535584	SCALE 4:1
		CUSTOMER DRAWING	SHEET 2 OF 2	REV R5