



Chipsmall Limited consists of a professional team with an average of over 10 year of expertise in the distribution of electronic components. Based in Hongkong, we have already established firm and mutual-benefit business relationships with customers from,Europe,America and south Asia,supplying obsolete and hard-to-find components to meet their specific needs.

With the principle of "Quality Parts,Customers Priority,Honest Operation,and Considerate Service",our business mainly focus on the distribution of electronic components. Line cards we deal with include Microchip,ALPS,ROHM,Xilinx,Pulse,ON,Everlight and Freescale. Main products comprise IC,Modules,Potentiometer,IC Socket,Relay,Connector.Our parts cover such applications as commercial,industrial, and automotives areas.

We are looking forward to setting up business relationship with you and hope to provide you with the best service and solution. Let us make a better world for our industry!



## Contact us

Tel: +86-755-8981 8866 Fax: +86-755-8427 6832

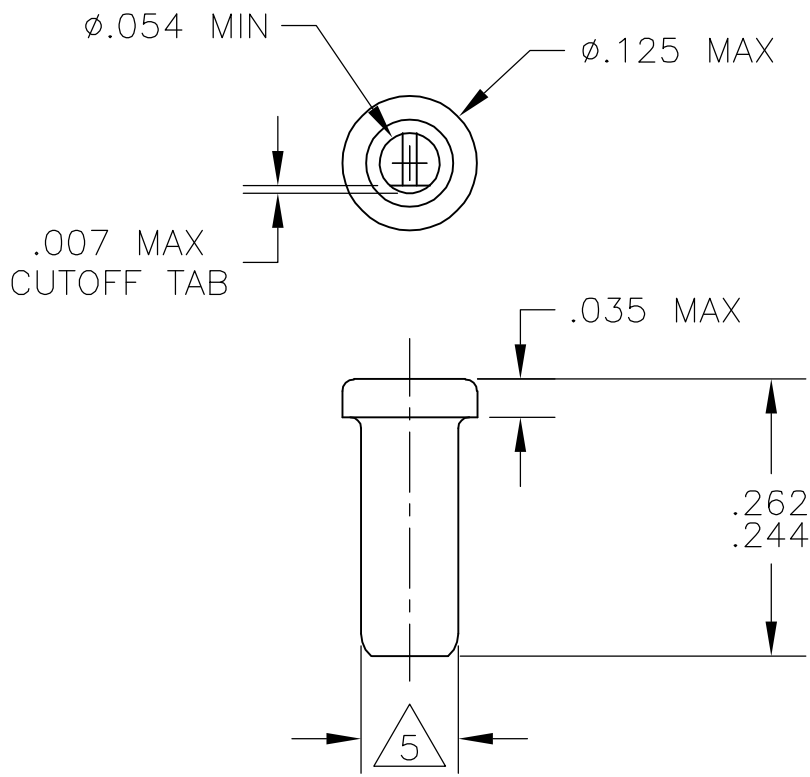
Email & Skype: info@chipsmall.com Web: www.chipsmall.com

Address: A1208, Overseas Decoration Building, #122 Zhenhua RD., Futian, Shenzhen, China

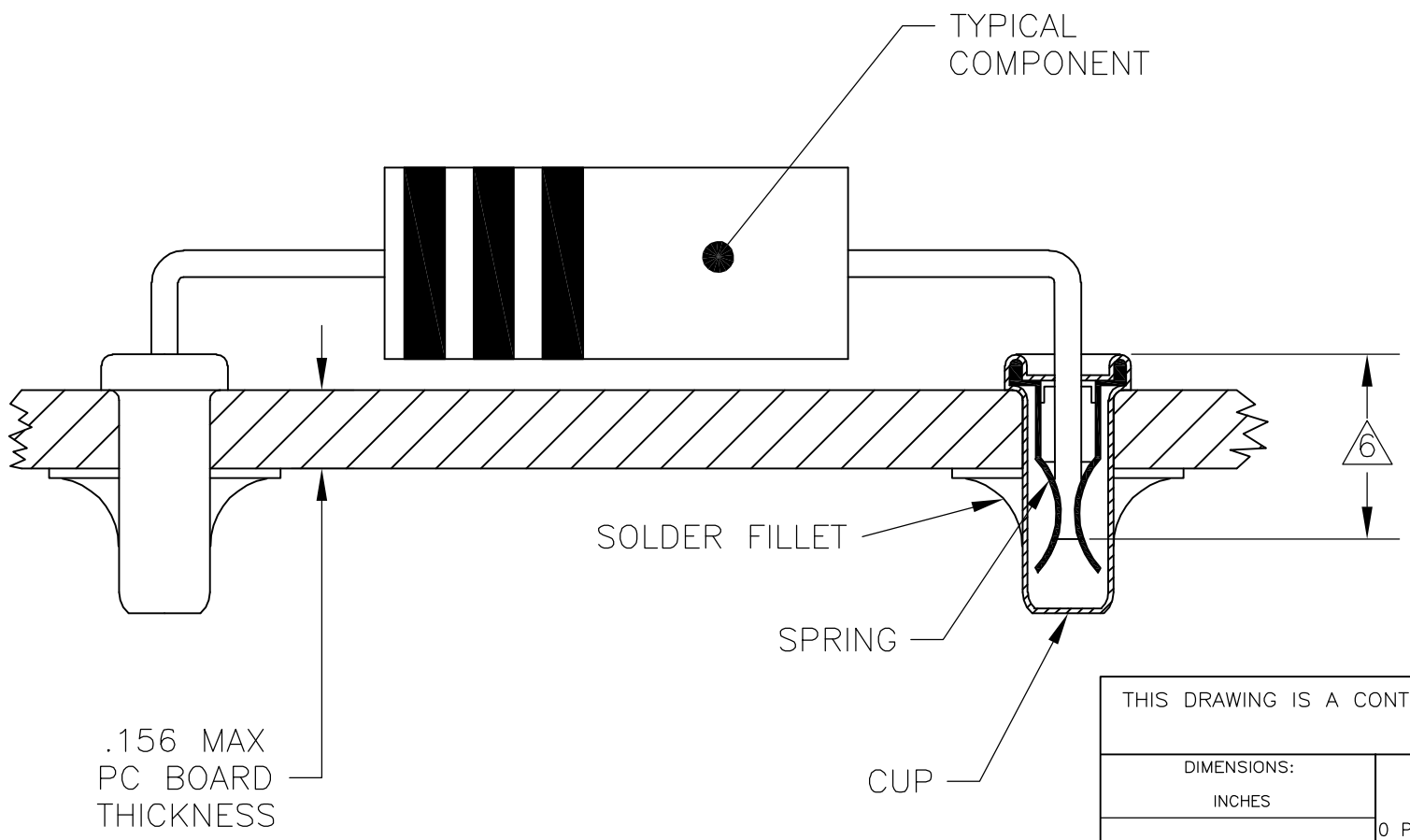


THIS DRAWING IS UNPUBLISHED. RELEASED FOR PUBLICATION  
 © COPYRIGHT - BY TYCO ELECTRONICS CORPORATION. ALL RIGHTS RESERVED.

LOC	DIST	REVISIONS			
P	LTR	DESCRIPTION	DATE	DWN	APVD
AG	67	A	REVISED PER ECO-06-001742	31JAN06	JDP JGH



- 1 MATERIALS:  
CUP: COPPER PER ASTM B 152  
SPRING: BERYLLIUM COPPER PER ASTM B 194
- 2 TIN PLATE PER ASTM B 545 .000080 MIN THICK.
- 3 GOLD PLATE PER ASTM B 488 .000030 MIN THICK OVER NICKEL PLATE PER QQ-N-290 IN CONTACT AREA.
- 4 TIN PLATE PER ASTM B 545 .000100 MIN THICK.
- 5 PART FITS INTO A #43 DRILLED HOLE ( $\phi.0890 \pm .0015$ ) FOR HAND INSERTION, AND A #44 DRILLED HOLE ( $\phi.0860 \pm .0015$ ) FOR MACHINE INSERTION.
- 6 .145 MIN INSERTION DEPTH REQUIRED FOR A RELIABLE CONNECTION.
- 7. SPRING TO BE SECURED IN CUP WITH NO SPRING ROTATION PERMISSIBLE.
- 8. ACCEPTS  $\phi.036-.054$  PIN.



TIN 4	GOLD 3	1-5380758-1
	TIN 2	1-5380758-0
CUP	SPRING	PART NO.
PLATING		

THIS DRAWING IS A CONTROLLED DOCUMENT.		DWN J. HAVENER 04NOV2005	Tyco Electronics Corporation Harrisburg, PA 17105-3608	
DIMENSIONS: INCHES		CHK J. HAVENER 04NOV2005		
TOLERANCES UNLESS OTHERWISE SPECIFIED:		APVD J. HAVENER 04NOV2005	NAME REUSABLE COMPONENT RECEPTACLE	
0 PLC ± -		PRODUCT SPEC 108-1079	SIZE A3	
1 PLC ± -		APPLICATION SPEC 114-1055	CAGE CODE 00779	DRAWING NO C-5380758
2 PLC ± -		WEIGHT -	RESTRICTED TO -	
3 PLC ± .015		CUSTOMER DRAWING	SCALE NTS	SHEET 1 OF 1
4 PLC ± -				REV A
ANGLES ± 1'				
MATERIAL 1	FINISH SEE TABLE			