



Chipsmall Limited consists of a professional team with an average of over 10 year of expertise in the distribution of electronic components. Based in Hongkong, we have already established firm and mutual-benefit business relationships with customers from,Europe,America and south Asia,supplying obsolete and hard-to-find components to meet their specific needs.

With the principle of “Quality Parts,Customers Priority,Honest Operation,and Considerate Service”,our business mainly focus on the distribution of electronic components. Line cards we deal with include Microchip,ALPS,ROHM,Xilinx,Pulse,ON,Everlight and Freescale. Main products comprise IC,Modules,Potentiometer,IC Socket,Relay,Connector.Our parts cover such applications as commercial,industrial, and automotives areas.

We are looking forward to setting up business relationship with you and hope to provide you with the best service and solution. Let us make a better world for our industry!



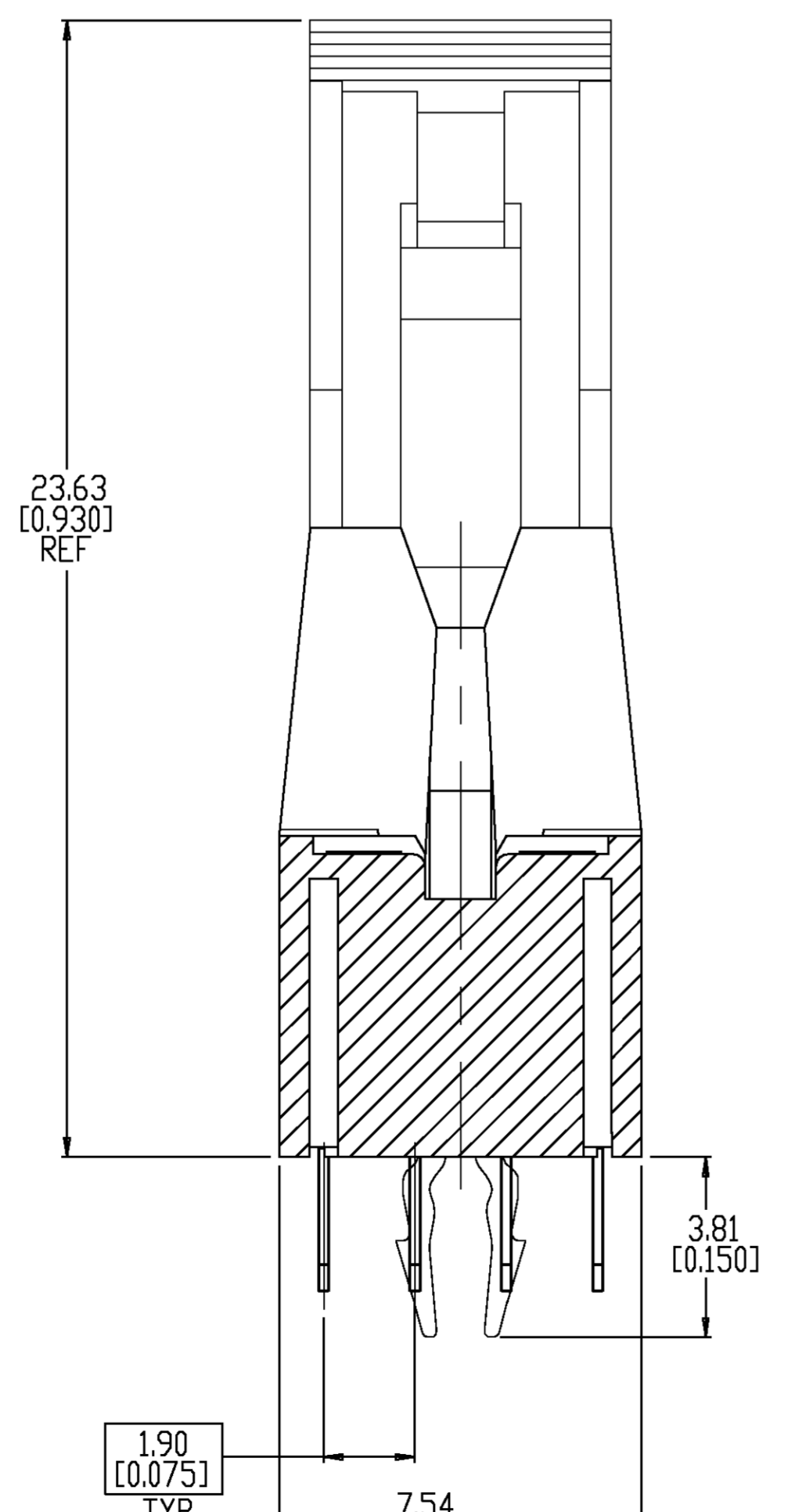
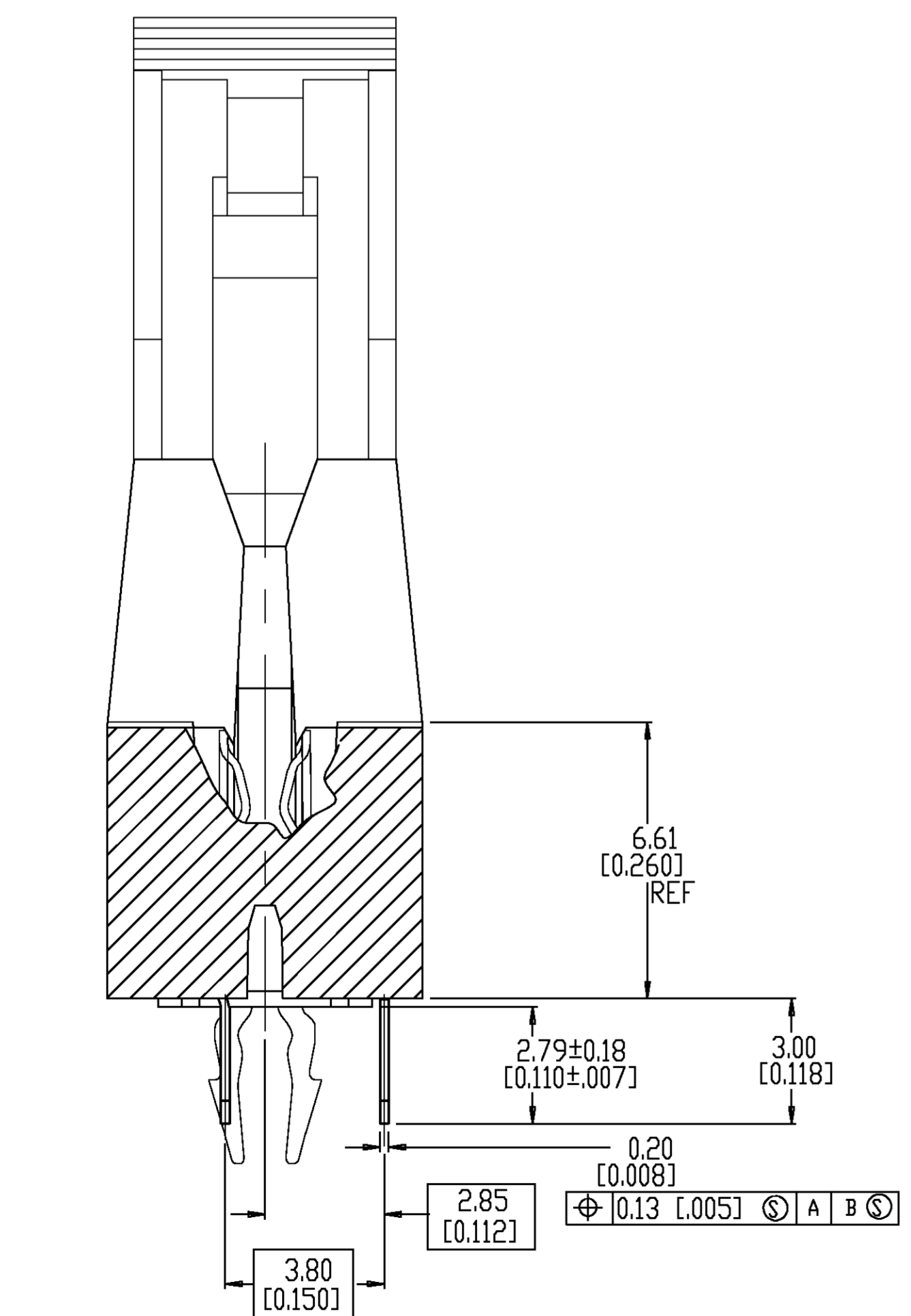
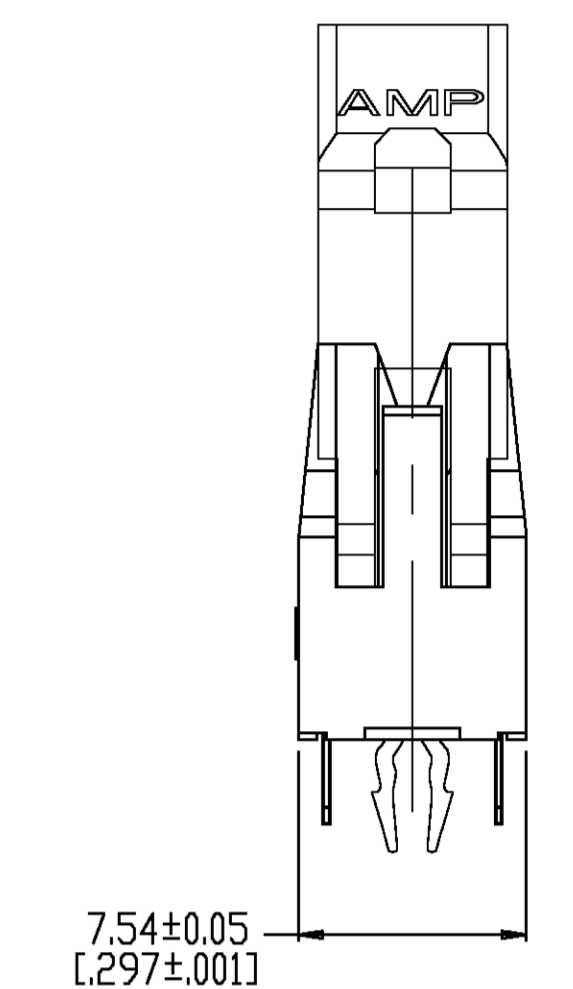
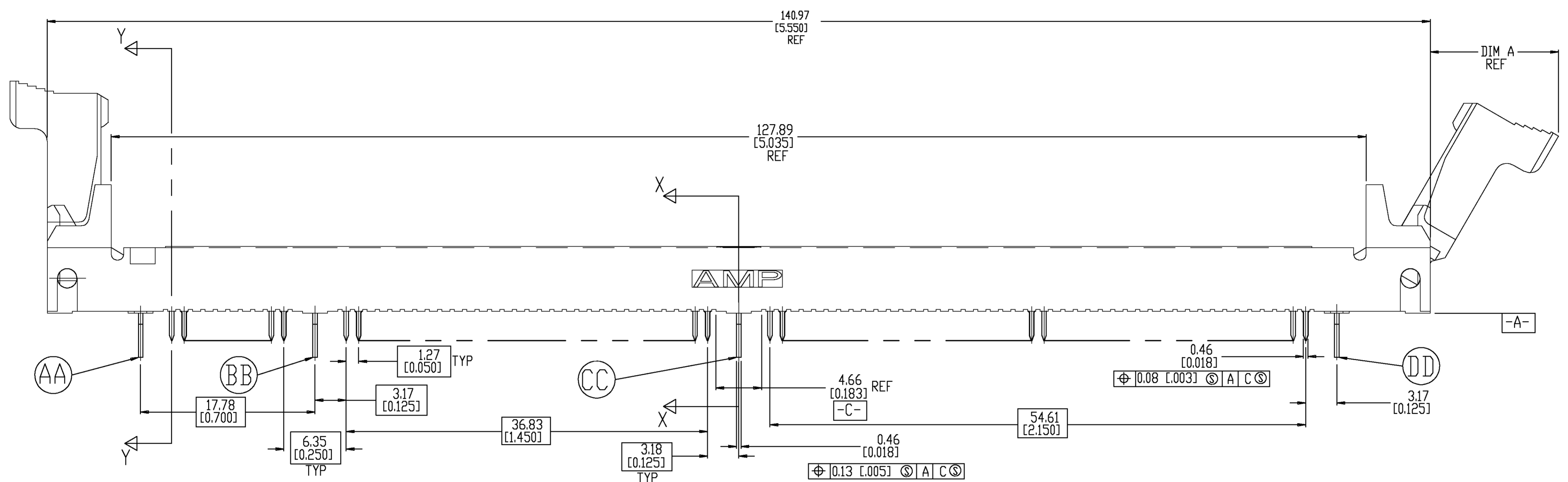
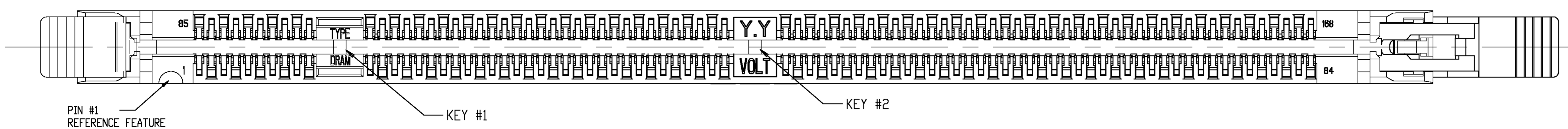
## Contact us

Tel: +86-755-8981 8866 Fax: +86-755-8427 6832

Email & Skype: info@chipsmall.com Web: www.chipsmall.com

Address: A1208, Overseas Decoration Building, #122 Zhenhua RD., Futian, Shenzhen, China





▲ MATERIAL  
 HOUSING: GLASS FILLED HIGH TEMPERATURE NYLON.  
 CONTACT: PHOS. BRONZE, C51100, TEMPER H06.  
 RETENTION POST: STAINLESS STEEL, AMP 100-309.  
 EXTRACTOR: GLASS FILLED HIGH TEMPERATURE NYLON, COLOR - WHITE.

▲ FINISH  
 CONTACT:  
 NICKEL PLATE ALL OVER .00127mm - .0019mm [0.00050 IN - 0.00075 IN] THK.  
 PER AMP SPEC 112-25-2.  
 GOLD PLATE IN INTERFACE AREA .00038mm [0.00015 IN] MIN. THK.  
 PER AMP SPEC 112-162-5.  
 MATTE TIN PLATE IN SOLDER TAIL AREA .00381mm - .00635mm [0.00150 IN - 0.00250 IN] THK.  
 PER AMP SPEC 112-65-1.

|               |                          |          |          |  |             |
|---------------|--------------------------|----------|----------|--|-------------|
| 13.30 [0.524] | AA - DD                  | DETAIL-C | DETAIL-A | NON-BUFFERED DRAM, 3.3 VOLT, PRE-PLATED CONTACTS | 2-5390168-1 |
| 13.30 [0.524] | BB - CC - DD             | DETAIL-A | DETAIL-A | STD DRAM, 3.3 VOLT, PRE-PLATED CONTACTS          | 1-5390168-4 |
| 13.30 [0.524] | BB - CC - DD             | DETAIL-C | DETAIL-A | NON-BUFFERED DRAM, 3.3 VOLT, PRE-PLATED CONTACTS | 1-5390168-1 |
| 13.30 [0.524] | AA - CC - DD             | DETAIL-A | DETAIL-A | STD DRAM, 3.3 VOLT, PRE-PLATED CONTACTS          | 5390168-4   |
| 13.30 [0.524] | AA - CC - DD             | DETAIL-C | DETAIL-A | NON-BUFFERED DRAM, 3.3 VOLT, PRE-PLATED CONTACTS | 5390168-1   |
| DIM A         | RETENTION POST LOCATIONS | KEY #1   | KEY #2   | DESCRIPTION                                      | PART NUMBER |

SECTION Y-Y  
 CIRCUITS 1 AND 85  
 SCALE 8:1

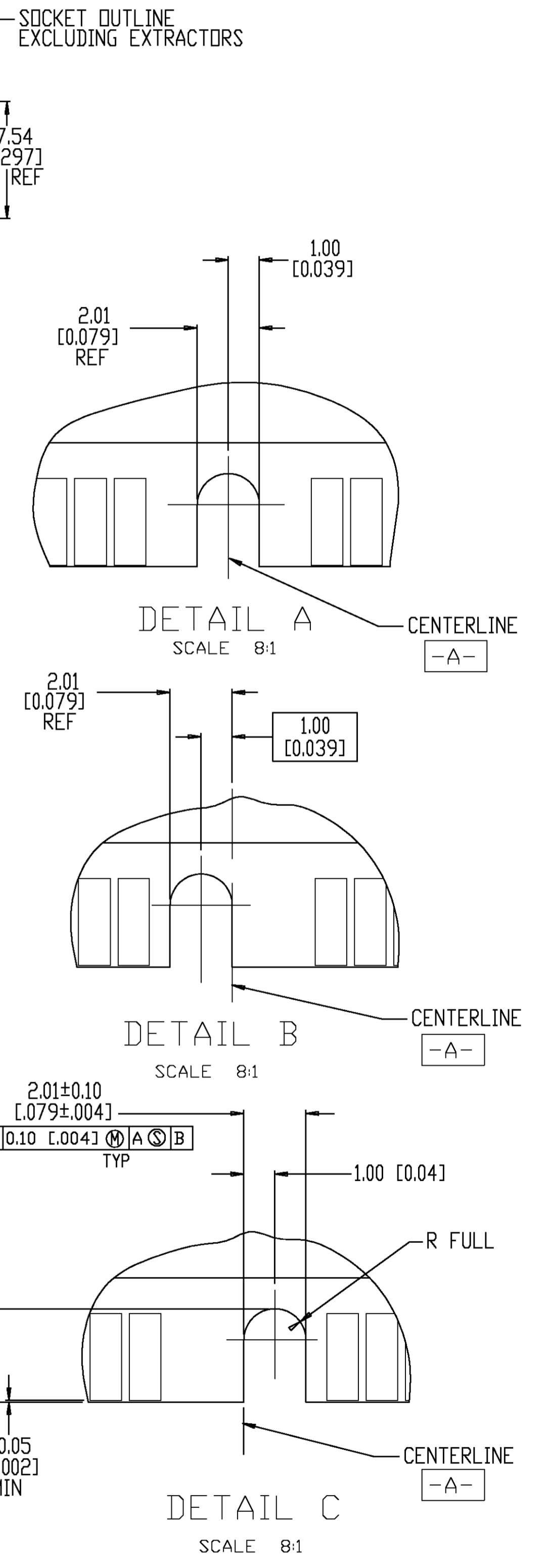
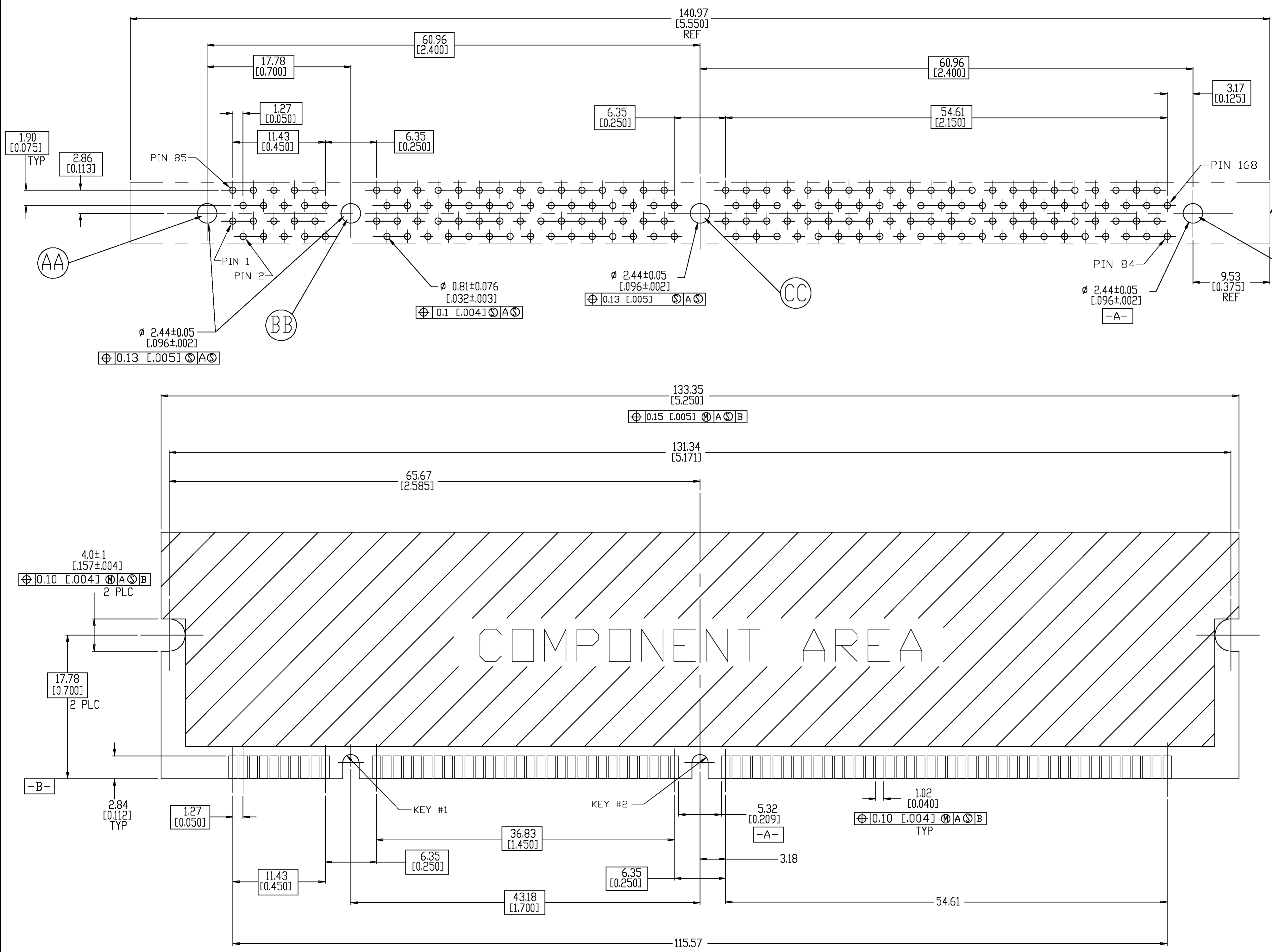
SECTION X-X  
 SCALE 8:1

THIS DRAWING IS A CONTROLLED DOCUMENT. DIM R.W. BROWN 200CT99

|                         |  |      |   |
|-------------------------|--|------|---|
| DIMENSIONS: mm [INCHES] | TOLERANCES UNLESS OTHERWISE SPECIFIED: | APVD | NAME  |
| 0 PLC ±                 | ±                                      |      | SOCKET ASSEMBLY, DIMM 2P, LOW INSERTION FORCE, 168 POSITION LEAD FREE |
| 1 PLC ±                 | ±                                      |      | PRODUCT SPEC 108-175.3  |
| 2 PLC ±                 | ± 0.13 [0.005]                         |      | APPLICATION SPEC 114-111.5  |
| 3 PLC ±                 | ±                                      |      | SIZE 114-111.5  |
| 4 PLC ±                 | ±                                      |      | WEIGHT  |
| ANGLES ±                | ±                                      |      | CAGE CODE DRAWING NO. A1 00779 5390168                                |
| MATERIAL                | FINISH                                 |      | RESTRICTED TO   |
|                         |  |      | CUSTOMER DRAWING SCALE 1:1 SHEET 1 OF 2 REV A                         |

tyco Electronics Tyco Electronics Corporation  
 Harrisburg, Pa 17105-3608





RECOMMENDED MODULE LAYOUT  
 SEE JEDEC SPEC. MO-161 FOR COMPLETE MODULE DETAILS  
 1.27 ±0.10[0.050] ±0.04] THICK ACROSS CONTACT PADS

|  |  |                        |   |
|--|--|------------------------|---|
| THIS DRAWING IS A CONTROLLED DOCUMENT. |  | DIN R.W. BROWN 200CT99 | <b>tyco</b> Tyco Electronics Corporation<br>Harrisburg, Pa 17105-3608 |
| DIMENSIONS: mm [INCHES]                | TOLERANCES UNLESS OTHERWISE SPECIFIED: | APVD                   | NAME  |
| 0 PLC ± -                              | 1 PLC ± -                              | PRODUCT SPEC           | SOCKET ASSEMBLY,  |
| 2 PLC ± -                              | 3 PLC ± .127 [0.005]                   | 108-175.3              | DIMM 2P, LOW INSERTION FORCE,   |
| 4 PLC ± -                              | ANGLES ± -                             | APPLICATION SPEC       | 168 POSITION LEAD FREE  |
| MATERIAL                               | FINISH                                 | SIZE                   | CAGE CODE DRAWING NO  |
|  |  | A1                     | 00779 C=5390168   |
|  |  | WEIGHT                 | RESTRICTED TO   |
|  |  | CUSTOMER DRAWING       | SCALE 1:1 SHEET 2 OF 2 REV A  |