



Chipsmall Limited consists of a professional team with an average of over 10 year of expertise in the distribution of electronic components. Based in Hongkong, we have already established firm and mutual-benefit business relationships with customers from,Europe,America and south Asia,supplying obsolete and hard-to-find components to meet their specific needs.

With the principle of “Quality Parts,Customers Priority,Honest Operation,and Considerate Service”,our business mainly focus on the distribution of electronic components. Line cards we deal with include Microchip,ALPS,ROHM,Xilinx,Pulse,ON,Everlight and Freescale. Main products comprise IC,Modules,Potentiometer,IC Socket,Relay,Connector.Our parts cover such applications as commercial,industrial, and automotives areas.

We are looking forward to setting up business relationship with you and hope to provide you with the best service and solution. Let us make a better world for our industry!



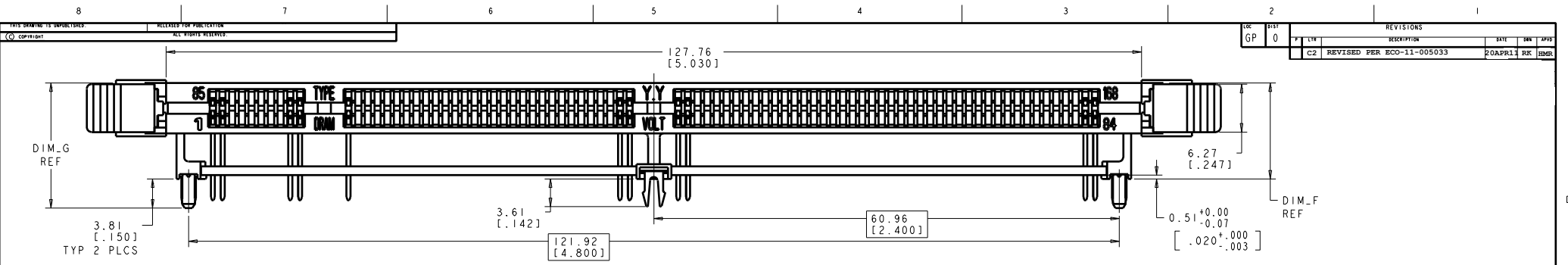
Contact us

Tel: +86-755-8981 8866 Fax: +86-755-8427 6832

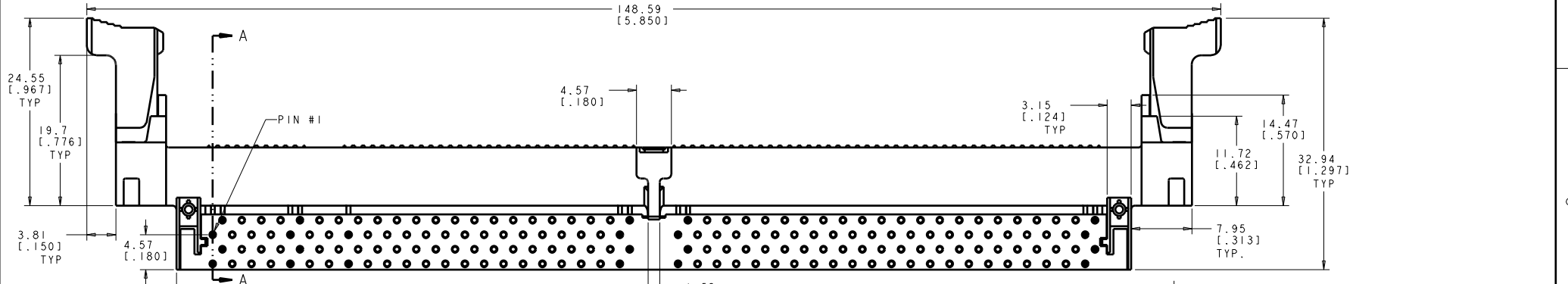
Email & Skype: info@chipsmall.com Web: www.chipsmall.com

Address: A1208, Overseas Decoration Building, #122 Zhenhua RD., Futian, Shenzhen, China

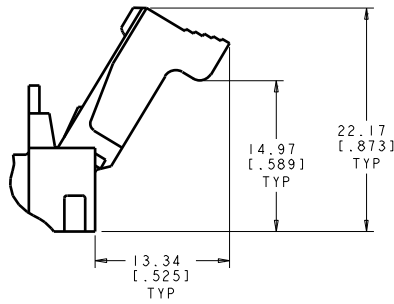




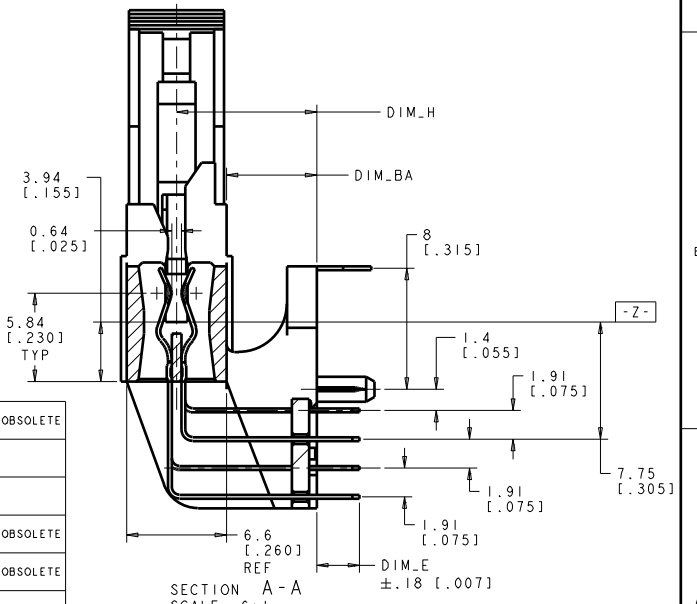
REV	DATE	DESCRIPTION	BY	CHK	APP
0					
1	20APR11	REVISED PER ECO-11-005033	RR		HML



- MATERIAL:**
 HOUSING: HIGH TEMPERATURE NYLON
 CONTACT: PHOSPHOR BRONZE
- FINISH:**
 CONTACT AREA:
 0.00076 [.000030] MIN THICK GOLD OVER
 0.001270 [.000050] MIN THICK NICKEL.
 OR
 0.000076 [.000003] MIN THICK GOLD FLASH OVER
 0.000510 [.000020] MIN THICK PALLADIUM NICKEL OVER
 0.001270 [.000050] MIN THICK NICKEL.
 SOLDER TAIL:
 0.00381 [.000150] MIN THICK MATTE TIN OVER
 0.00064 [.000025] MIN THICK NICKEL.
- FOR OPTIMUM PERFORMANCE, PADS SHOULD BE SMOOTH AND FLAT PADS TO BE PLATED WITH:**
 0.00102 [.000040] MIN THICK GOLD OVER
 0.00127 [.000050] MIN THICK NICKEL.
- 5390171-6 IS SAME CONNECTOR AS 1-5390171-0 EXCEPT WITH LUBRICATED CONTACTS.**



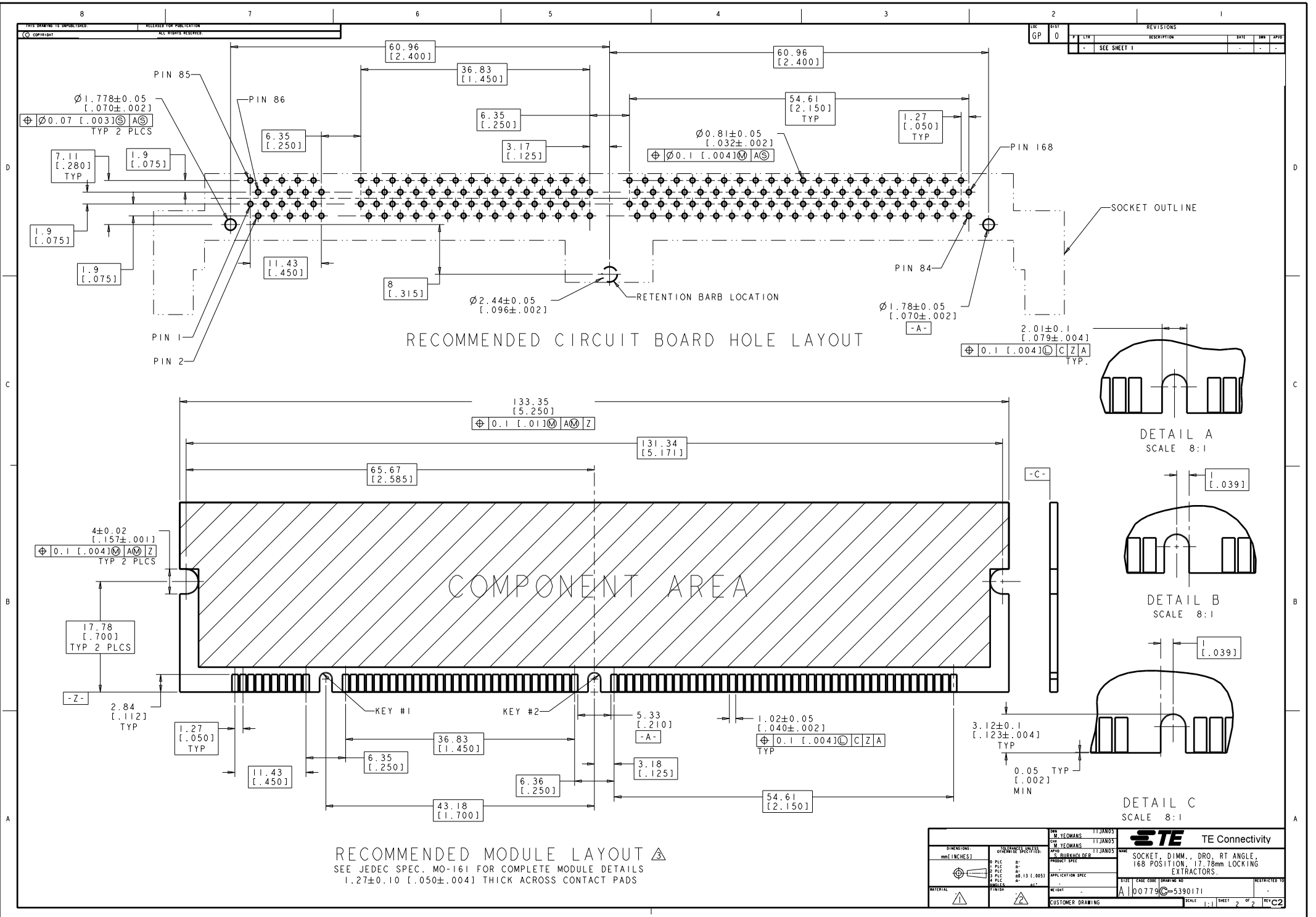
EXTRACTOR SHOWN IN THE OPEN POSITION



SECTION A-A
SCALE 6:1

NB	3.3	10.92 [.430]	18.03 [.710]	14.22 [.560]	3.68 [.145]	7.62 [.300]	DETAIL C	DETAIL A	SYNC NON-BUFFERED DRAM, 3.3 VOLT	2-5390171-6	OBSOLETE
NB	3.3	10.92 [.430]	18.03 [.710]	14.22 [.560]	3.18 [.125]	7.62 [.300]	DETAIL C	DETAIL A	SYNC NON-BUFFERED DRAM, 3.3 VOLT	1-5390171-6	
SYNC	3.3	10.92 [.430]	18.03 [.710]	14.22 [.560]	3.18 [.125]	7.62 [.300]	DETAIL B	DETAIL A	SYNC DRAM, 3.3 VOLT	1-5390171-5	
STD	3.3	10.92 [.430]	18.03 [.710]	14.22 [.560]	3.18 [.125]	7.62 [.300]	DETAIL A	DETAIL A	STD DRAM, 3.3 VOLT	1-5390171-4	OBSOLETE
NB	3.3	9.27 [.365]	16.38 [.645]	12.57 [.495]	2.83 [.112]	5.97 [.235]	DETAIL C	DETAIL A	SYNC NON-BUFFERED DRAM, 3.3 VOLT	1-5390171-0	OBSOLETE
NB	3.3	9.27 [.365]	16.38 [.645]	12.57 [.495]	2.83 [.112]	5.97 [.235]	DETAIL C	DETAIL A	SYNC NON-BUFFERED DRAM, 3.3 VOLT	5390171-6	
SYNC	3.3	9.27 [.365]	16.38 [.645]	12.57 [.495]	2.83 [.112]	5.97 [.235]	DETAIL B	DETAIL A	SYNC DRAM, 3.3 VOLT	5390171-5	OBSOLETE
STD	3.3	9.27 [.365]	16.38 [.645]	12.57 [.495]	2.83 [.112]	5.97 [.235]	DETAIL A	DETAIL A	STD DRAM, 3.3 VOLT	5390171-4	OBSOLETE
TYPE	Y.Y	DIM_H	DIM_G	DIM_F	DIM_E ±.18 [.007]	DIM_BA	KEY #1	KEY #2	PART DESCRIPTION	PART NUMBER	

DIMENSIONS: mm [INCHES]		DESIGNED BY: J.JANOS CHECKED BY: J.JANOS DATE: 11/20/07		STE TE Connectivity SOCKET, DIMM., DRO, RT ANGLE, 168 POSITION, 17.78mm LOCKING EXTRACTORS.	
MATERIAL: PHOSPHOR BRONZE		FINISH: 168 PLUG HOLES		APPLICATION SPEC:	
WEIGHT:		PART: A100779		DRAWING NO: 5390171	
CUSTOMER DRAWING		SCALE: 4:1		SHEET 1 OF 2 REV C2	



REV	DATE	BY	CHKD	APP'D	DESCRIPTION
0					SEE SHEET 1

2.01 ± 0.1 [.079 ± .004]	⊕ 0.1 [.004]	Ⓞ	C	Z	A
TYP.					

3.12 ± 0.1 [.123 ± .004]	TYP
0.05 [.002]	MIN

SEE JEDEC SPEC. MO-161 FOR COMPLETE MODULE DETAILS
 1.27 ± 0.10 [.050 ± .004] THICK ACROSS CONTACT PADS

DIMENSIONS mm [INCHES]		MFG. YEOMANS CDR. YEOMANS DATE: 11/13/05 APPLICATION SPEC		MFG. YEOMANS CDR. YEOMANS DATE: 11/13/05 APPLICATION SPEC	
MATERIAL 1.27mm THICK 1.27mm THICK		WEIGHT -		PART NO. A100779	
CUSTOMER DRAWING		SCALE 1:1		SHEET 2 OF 2	