



Chipsmall Limited consists of a professional team with an average of over 10 year of expertise in the distribution of electronic components. Based in Hongkong, we have already established firm and mutual-benefit business relationships with customers from,Europe,America and south Asia,supplying obsolete and hard-to-find components to meet their specific needs.

With the principle of “Quality Parts,Customers Priority,Honest Operation,and Considerate Service”,our business mainly focus on the distribution of electronic components. Line cards we deal with include Microchip,ALPS,ROHM,Xilinx,Pulse,ON,Everlight and Freescale. Main products comprise IC,Modules,Potentiometer,IC Socket,Relay,Connector.Our parts cover such applications as commercial,industrial, and automotives areas.

We are looking forward to setting up business relationship with you and hope to provide you with the best service and solution. Let us make a better world for our industry!



Contact us

Tel: +86-755-8981 8866 Fax: +86-755-8427 6832

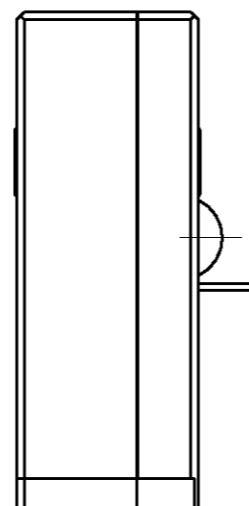
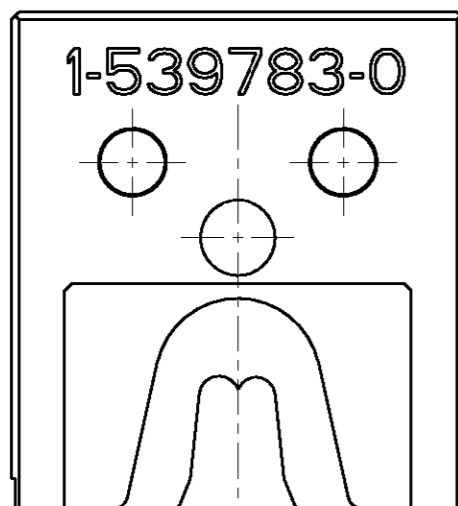
Email & Skype: info@chipsmall.com Web: www.chipsmall.com

Address: A1208, Overseas Decoration Building, #122 Zhenhua RD., Futian, Shenzhen, China



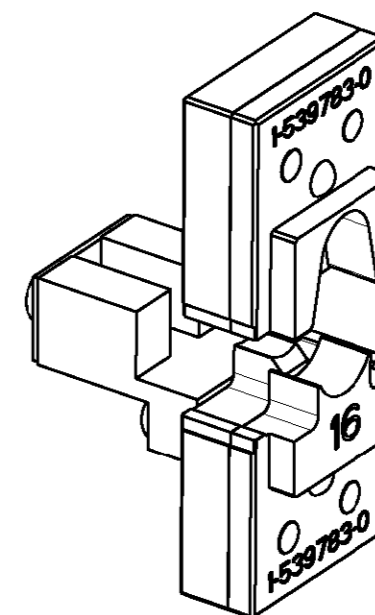
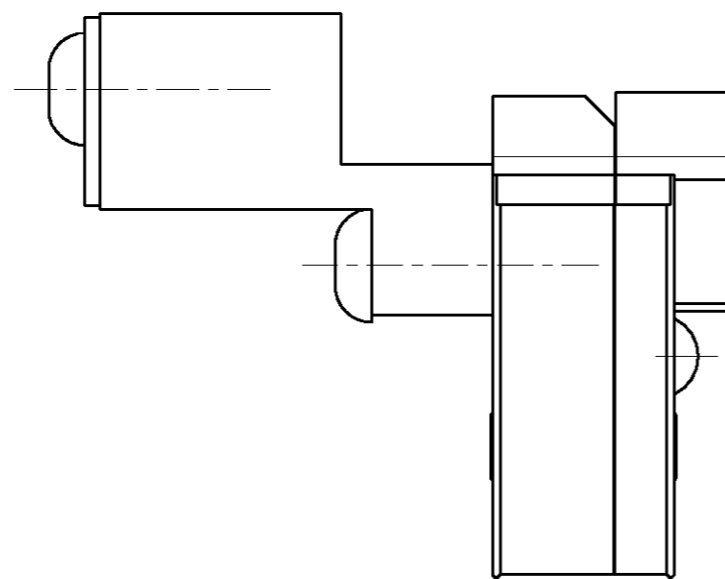
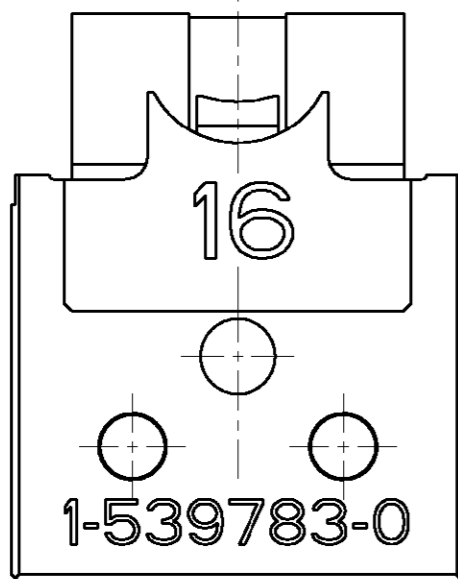
THIS DRAWING IS UNPUBLISHED. RELEASED FOR PUBLICATION 2005
 © COPYRIGHT 2005 BY TYCO ELECTRONICS CORPORATION. ALL RIGHTS RESERVED.

LOC	DIST	REVISIONS			
P	LTR	DESCRIPTION	DATE	DWN	APVD
A1	-				



DIE SET FOR MCP 9.5 mm

Use this die set with hydraulic hand tool PN 539783-1



1:1

Kontakt	AWG (mm ²)	Drahtcrimp / Wire Crimp		Isolationscrimp/Insulationcrimp		Isol.Ømm	Betriebsanl.
Contact	Wire Range	Hoehe/Height mm	Breite/Width mm	Hoehe/Height mm	Breite/Width mm	Ins.Range	Instr.Sheet
929153	16	4.38 ±0.05	6.35 F	11.94	11.94 0	7.1-8.1	-----

Weight: 200 g

THIS DRAWING IS A CONTROLLED DOCUMENT FOR TYCO ELECTRONICS CORPORATION. IT IS SUBJECT TO CHANGE AND THE CONTROLLING ENGINEERING ORGANIZATION SHOULD BE CONTACTED FOR THE LATEST REVISION.

DWN	Ch.Witt	31JAN2006	tyco tyco Electronics AMP GmbH	
CHK	-	-	Electronics D - 64625 Bensheim	
APVD	-	-	NAME	
PRODUCT SPEC	DIE SET FOR MCP 9.5 / 16 mm ² SWS			
APPLICATION SPEC	Matrize fuer MCP 9.5 / 16 mm ² SWS			
WEIGHT	-	-	SIZE	RESTRICTED TO
MATERIAL		FINISH	A3	-
-		-	CAGE CODE	-
-		-	DRAWING NO	-
-		-	©=1-539783-0	-
CUSTOMER DRAWING			SCALE	REV
-			2:1	A
-			SHEET	REV
-			1 of 1	A