



Chipsmall Limited consists of a professional team with an average of over 10 year of expertise in the distribution of electronic components. Based in Hongkong, we have already established firm and mutual-benefit business relationships with customers from,Europe,America and south Asia,supplying obsolete and hard-to-find components to meet their specific needs.

With the principle of "Quality Parts,Customers Priority,Honest Operation,and Considerate Service",our business mainly focus on the distribution of electronic components. Line cards we deal with include Microchip,ALPS,ROHM,Xilinx,Pulse,ON,Everlight and Freescale. Main products comprise IC,Modules,Potentiometer,IC Socket,Relay,Connector.Our parts cover such applications as commercial,industrial, and automotives areas.

We are looking forward to setting up business relationship with you and hope to provide you with the best service and solution. Let us make a better world for our industry!



Contact us

Tel: +86-755-8981 8866 Fax: +86-755-8427 6832

Email & Skype: info@chipsmall.com Web: www.chipsmall.com

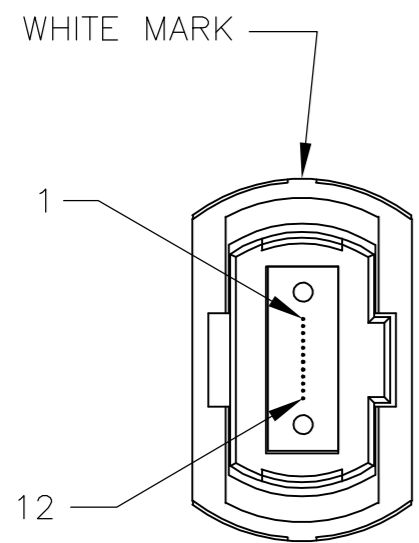
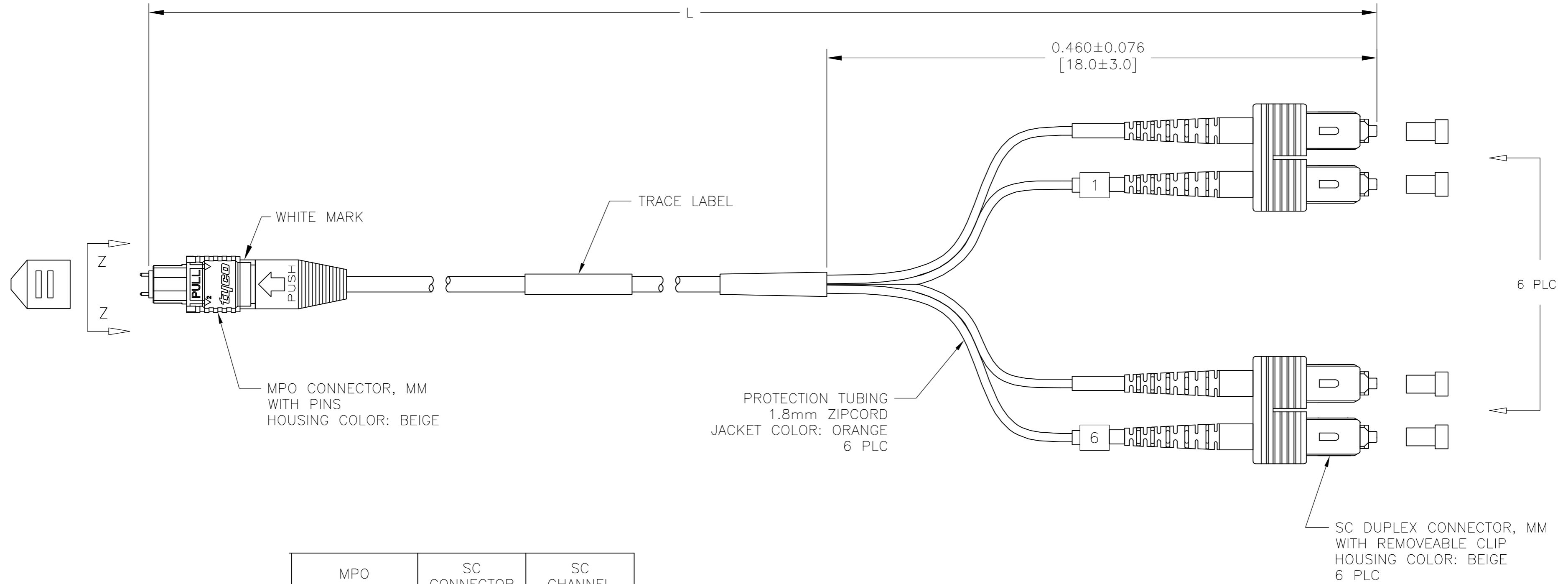
Address: A1208, Overseas Decoration Building, #122 Zhenhua RD., Futian, Shenzhen, China



THIS DRAWING IS UNPUBLISHED. RELEASED FOR PUBLICATION
 © COPYRIGHT BY TYCO ELECTRONICS CORPORATION. ALL RIGHTS RESERVED.

LOC	DIST	REVISIONS					
CE	16	P	LTR	DESCRIPTION	DATE	OWN	APVD
		A		RELEASED	20APR06	JWD	JB

1. MAXIMUM INSERTION LOSS (1310nm):
0.5dB MPO
0.5dB SC
2. PRODUCT AND PROCESSING MUST MEET REQUIREMENTS OF TYCO ELECTRONICS STANDARD 230-702



MPO FIBER#	COLOR	SC CONNECTOR POSITION	SC CHANNEL NUMBER
1	BLUE	A	1
2	ORANGE	B	1
3	GREEN	A	2
4	BROWN	B	2
5	SLATE	A	3
6	WHITE	B	3
7	RED	A	4
8	BLACK	B	4
9	YELLOW	A	5
10	VIOLET	B	5
11	ROSE	A	6
12	AQUA	B	6

FIBER PATH

$0.610 + 0.200 / - 0.0$ [24.0 + 8.0 / - 0.0]	2-5492362-1
$20.000 + 0.300 / - 0.0$ [787.4 + 12.0 / - 0.0]	2-5492362-0
$15.000 + 0.300 / - 0.0$ [590.6 + 12.0 / - 0.0]	1-5492362-5
$10.000 + 0.300 / - 0.0$ [393.7 + 12.0 / - 0.0]	1-5492362-0
$8.000 + 0.300 / - 0.0$ [315.0 + 12.0 / - 0.0]	5492362-8
$6.000 + 0.300 / - 0.0$ [236.2 + 12.0 / - 0.0]	5492362-6
L METERS [INCHES]	PART NUMBER

THIS DRAWING IS A CONTROLLED DOCUMENT.

DWN: J.W.DAVIS	20APR06		Tyco Electronics Corporation		
CHK: J. BARRY	20APR06		Harrisburg, PA 17105-3608		
APVD: F. McCORKEL	20APR06	NAME:	CABLE ASSEMBLY, FIBER OPTIC, 62.5/125um, 12F JACKETED RIBBON MPO W/PINS, TO SIX SC DUPLEX		
MATERIAL:	FINISH:	SIZE: A2	CAGE CODE: 00779	DRAWING NO: 5492362	RESTRICTED TO: -
CUSTOMER DRAWING		SCALE: NTS	SHEET: 1 OF 1	REV: A	