



Chipsmall Limited consists of a professional team with an average of over 10 year of expertise in the distribution of electronic components. Based in Hongkong, we have already established firm and mutual-benefit business relationships with customers from,Europe,America and south Asia,supplying obsolete and hard-to-find components to meet their specific needs.

With the principle of “Quality Parts,Customers Priority,Honest Operation,and Considerate Service”,our business mainly focus on the distribution of electronic components. Line cards we deal with include Microchip,ALPS,ROHM,Xilinx,Pulse,ON,Everlight and Freescale. Main products comprise IC,Modules,Potentiometer,IC Socket,Relay,Connector.Our parts cover such applications as commercial,industrial, and automotives areas.

We are looking forward to setting up business relationship with you and hope to provide you with the best service and solution. Let us make a better world for our industry!



## Contact us

Tel: +86-755-8981 8866 Fax: +86-755-8427 6832

Email & Skype: info@chipsmall.com Web: www.chipsmall.com

Address: A1208, Overseas Decoration Building, #122 Zhenhua RD., Futian, Shenzhen, China



THIS DRAWING IS UNPUBLISHED. RELEASED FOR PUBLICATION  
 © COPYRIGHT 2011 ALL RIGHTS RESERVED.

LOC		DIST		REVISIONS			
P	LTR	DESCRIPTION	DATE	DWN	APVD		
B3		REVISED PER ECO-11-005140	16APR2011	RK	HMR		

1 MATERIAL:

CONNECTOR HOUSING: PBT-GF17, COLOR: BEIGE.\*  
 CONNECTOR SUBASSEMBLY:  
 PLUG BODY: PES-GF20, COLOR: BEIGE.\*  
 SPRING: STAINLESS STEEL  
 FERRULE ASSEMBLY: CERAMIC/PBT-GF17, COLOR: BEIGE.\*  
 EPOXY-FILL TUBING: PVC, COLOR: CLEAR, UL VW-1 RATED.  
 RETAINER BODY: PES-GF20, COLOR: BEIGE.\*  
 CRIMP EYELET: TIN PLATED COPPER  
 BOOT: TPE, COLOR: SEE TABLE.\*  
 PROTECTIVE COVER: LDPE, COLOR: BLACK, NON-FR.  
 \*UL94 V-0 RATED AT QUALIFYING THICKNESS.

2 BULK PACKAGE.

3. 3.0mm KIT FOR USE WITH "LOOSE-JACKETED" CABLE.

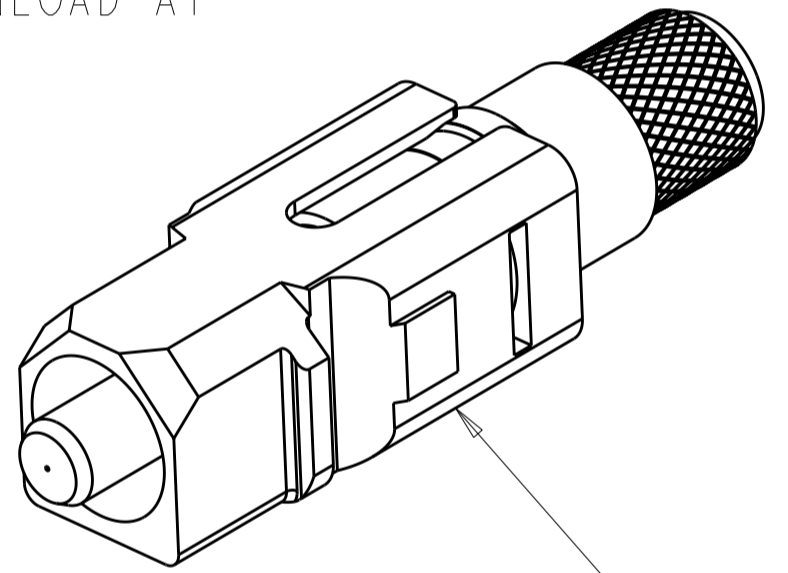
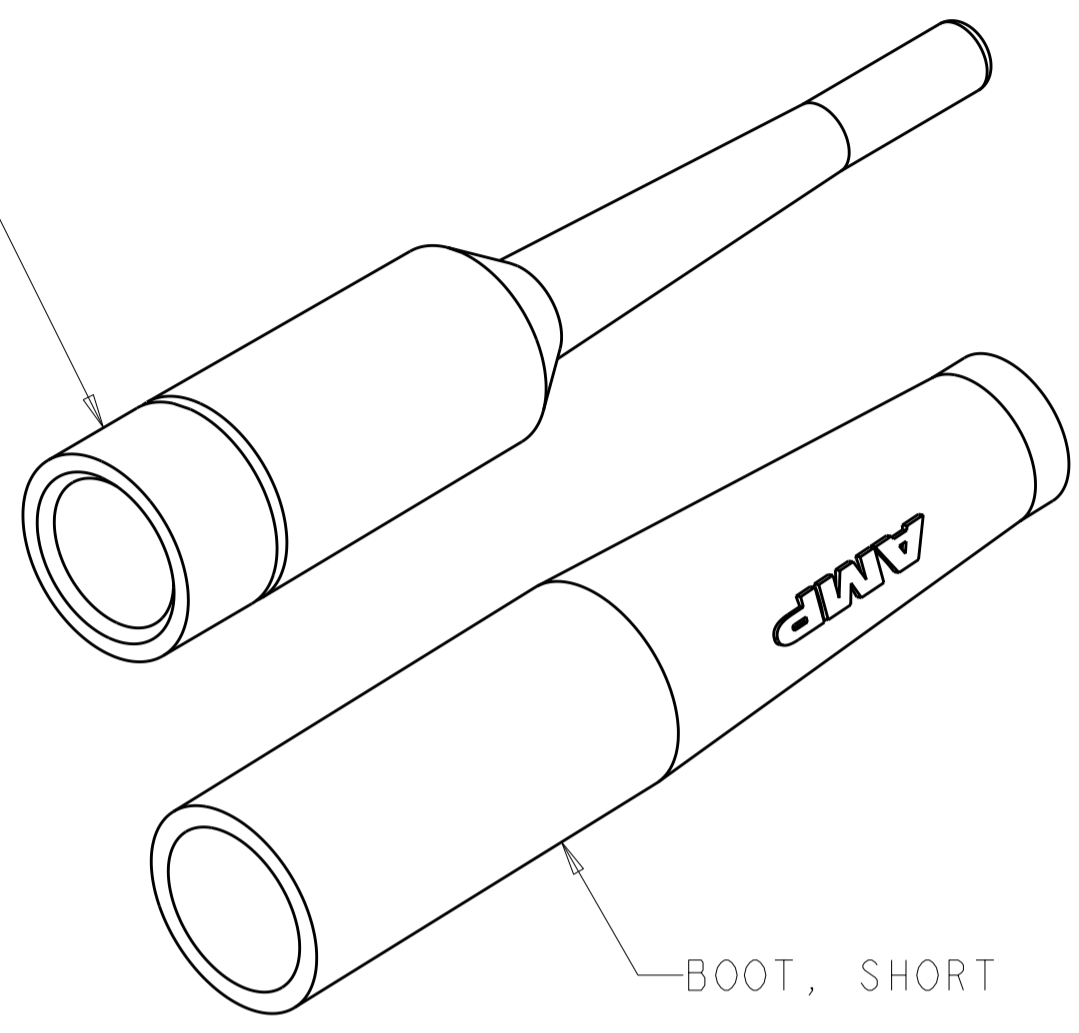
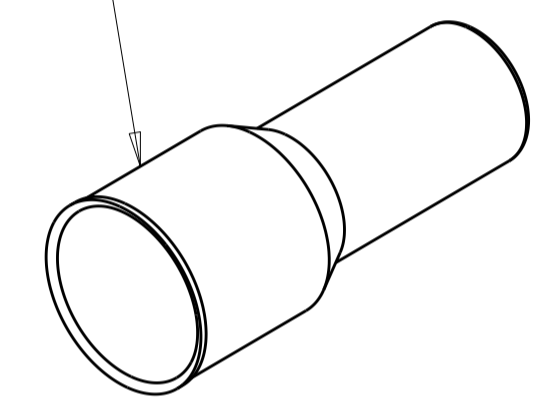
4 NO AMP LOGO.

5 CONTAINS NO EYELET.

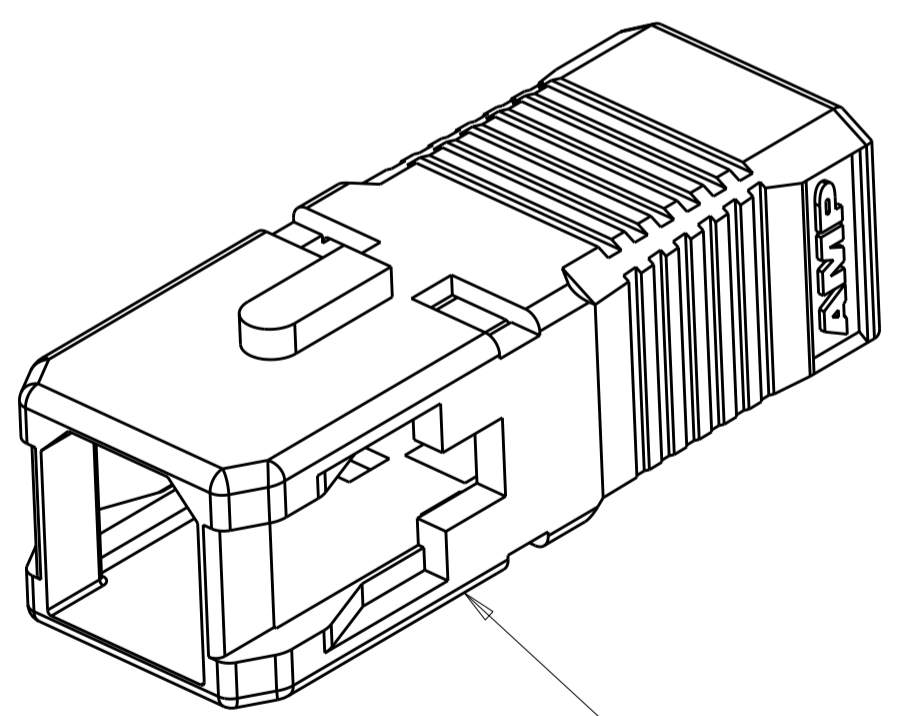
6. INSTRUCTION SHEET 408-8674 AVAILABLE FOR DOWNLOAD AT  
[www.tycoelectronics.com/documents](http://www.tycoelectronics.com/documents) OR  
[www.ampnetconnect.com/foguide](http://www.ampnetconnect.com/foguide).

BOOT, BARE BUFFER

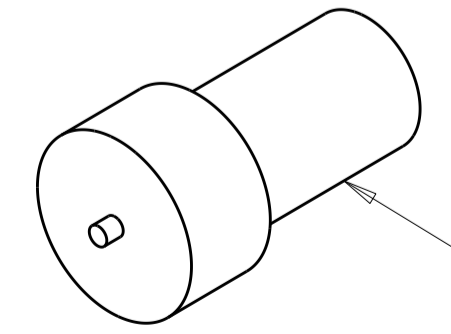
CRIMP EYELET



CONNECTOR SUB-ASSEMBLY



CONNECTOR HOUSING



PROTECTIVE COVER

3.0mm & 900um, BLACK	1-5503948-3
3.0mm, BLACK	1-5503948-2
3.0mm & 900um, AQUA	1-5503948-1
3.0mm, AQUA	1-5503948-0
3.0mm, RED	5503948-9
3.0mm, BLACK	5503948-8
NONE	5503948-7
NONE	5503948-6
3.0mm & 900um, BEIGE	5503948-5
NONE	5503948-3
3.0mm, BEIGE	5503948-2
3.0mm, BEIGE	5503948-1
BOOT	PART NUMBER

THIS DRAWING IS A CONTROLLED DOCUMENT.

DWN	B. BRIGGS	07NOV2005
CHK	S. MILLER	07NOV2005
APVD	S. BUCHTER	07NOV2005

TE Connectivity

NAME: SC, MULTIMODE CONNECTOR KIT, 900um AND 3.0mm

SIZE	CAGE CODE	DRAWING NO	RESTRICTED TO
A2	-	5503948	-

CUSTOMER DRAWING SCALE: 5:1 SHEET 1 OF 1 REV: B3