



Chipsmall Limited consists of a professional team with an average of over 10 year of expertise in the distribution of electronic components. Based in Hongkong, we have already established firm and mutual-benefit business relationships with customers from,Europe,America and south Asia,supplying obsolete and hard-to-find components to meet their specific needs.

With the principle of “Quality Parts,Customers Priority,Honest Operation,and Considerate Service”,our business mainly focus on the distribution of electronic components. Line cards we deal with include Microchip,ALPS,ROHM,Xilinx,Pulse,ON,Everlight and Freescale. Main products comprise IC,Modules,Potentiometer,IC Socket,Relay,Connector.Our parts cover such applications as commercial,industrial, and automotives areas.

We are looking forward to setting up business relationship with you and hope to provide you with the best service and solution. Let us make a better world for our industry!



Contact us

Tel: +86-755-8981 8866 Fax: +86-755-8427 6832

Email & Skype: info@chipsmall.com Web: www.chipsmall.com

Address: A1208, Overseas Decoration Building, #122 Zhenhua RD., Futian, Shenzhen, China



THIS DRAWING IS UNPUBLISHED.

RELEASED FOR PUBLICATION

© COPYRIGHT - By -

ALL RIGHTS RESERVED.

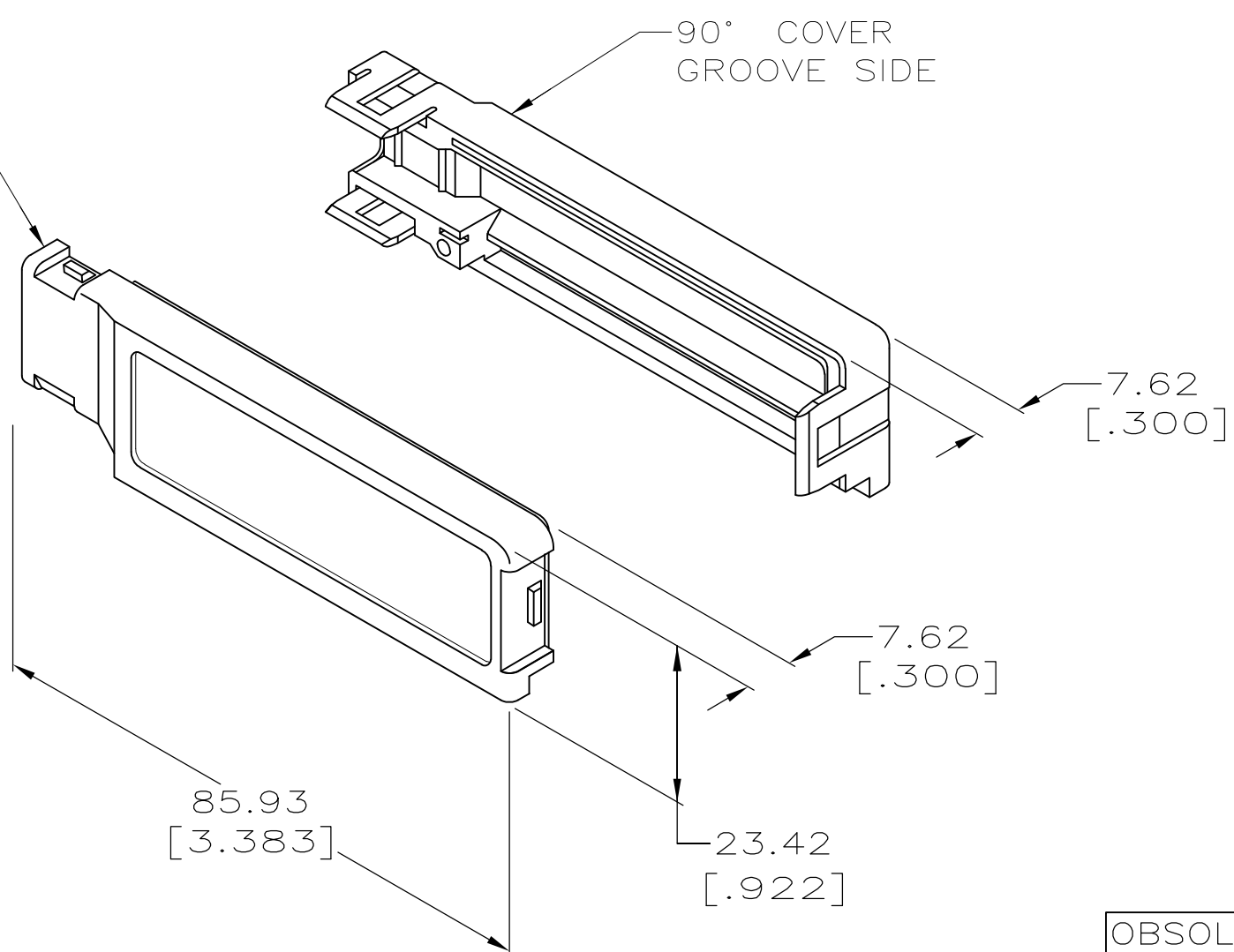
LOC AA DIST 20

REVISIONS

P	LTR	DESCRIPTION	DATE	DWN	APVD
	K1	REVISED PER ECO-11-005140	28MAR11	RK	HMR

90° COVER TONGUE SIDE

90° COVER GROOVE SIDE



- 1. DIMENSIONS SHOWN ARE FOR REFERENCE ONLY UNLESS OTHERWISE SPECIFIED.
- 2. COVERS SHIPPED NOT ASSEMBLED.
- 3. 100 KITS BULK PACKED.

OBSOLETE	ALMOND	8.00 - 10.54	1-552011-5
	BLACK	[.315 - .415]	1-552011-1
OBSOLETE	ALMOND	10.54 - 11.81	552011-5
	BLACK	[.415 - .465]	552011-1
	COLOR	CABLE RANGE DIAMETER	PART NUMBER

THIS DRAWING IS A CONTROLLED DOCUMENT.		DWN DL DRUMMOND 22 APR 96	STE TE Connectivity	
		CHK D. AHERON 09 MAY 96		
DIMENSIONS: mm [INCHES]		APVD M. HUGHES 09 MAY 96	NAME	
TOLERANCES UNLESS OTHERWISE SPECIFIED:		PRODUCT SPEC	COVER KIT, 90 DEGREE, 50 POSITION, CHAMP®	
0 PLC ± -		APPLICATION SPEC	SIZE CAGE CODE DRAWING NO RESTRICTED TO	
1 PLC ± -			A3 00779 C-552011	
2 PLC ± -			SCALE 1:1 SHEET 1 OF 1 REV K1	
3 PLC ± -				
4 PLC ± -				
ANGLES ± -				
FINISH		WEIGHT -		
MATERIAL POLYPHENYLENE OXIDE				
		CUSTOMER DRAWING		