



Chipsmall Limited consists of a professional team with an average of over 10 year of expertise in the distribution of electronic components. Based in Hongkong, we have already established firm and mutual-benefit business relationships with customers from,Europe,America and south Asia,supplying obsolete and hard-to-find components to meet their specific needs.

With the principle of “Quality Parts,Customers Priority,Honest Operation,and Considerate Service”,our business mainly focus on the distribution of electronic components. Line cards we deal with include Microchip,ALPS,ROHM,Xilinx,Pulse,ON,Everlight and Freescale. Main products comprise IC,Modules,Potentiometer,IC Socket,Relay,Connector.Our parts cover such applications as commercial,industrial, and automotives areas.

We are looking forward to setting up business relationship with you and hope to provide you with the best service and solution. Let us make a better world for our industry!



Contact us

Tel: +86-755-8981 8866 Fax: +86-755-8427 6832

Email & Skype: info@chipsmall.com Web: www.chipsmall.com

Address: A1208, Overseas Decoration Building, #122 Zhenhua RD., Futian, Shenzhen, China



DRAWING MADE IN THIRD ANGLE PROJECTION

3

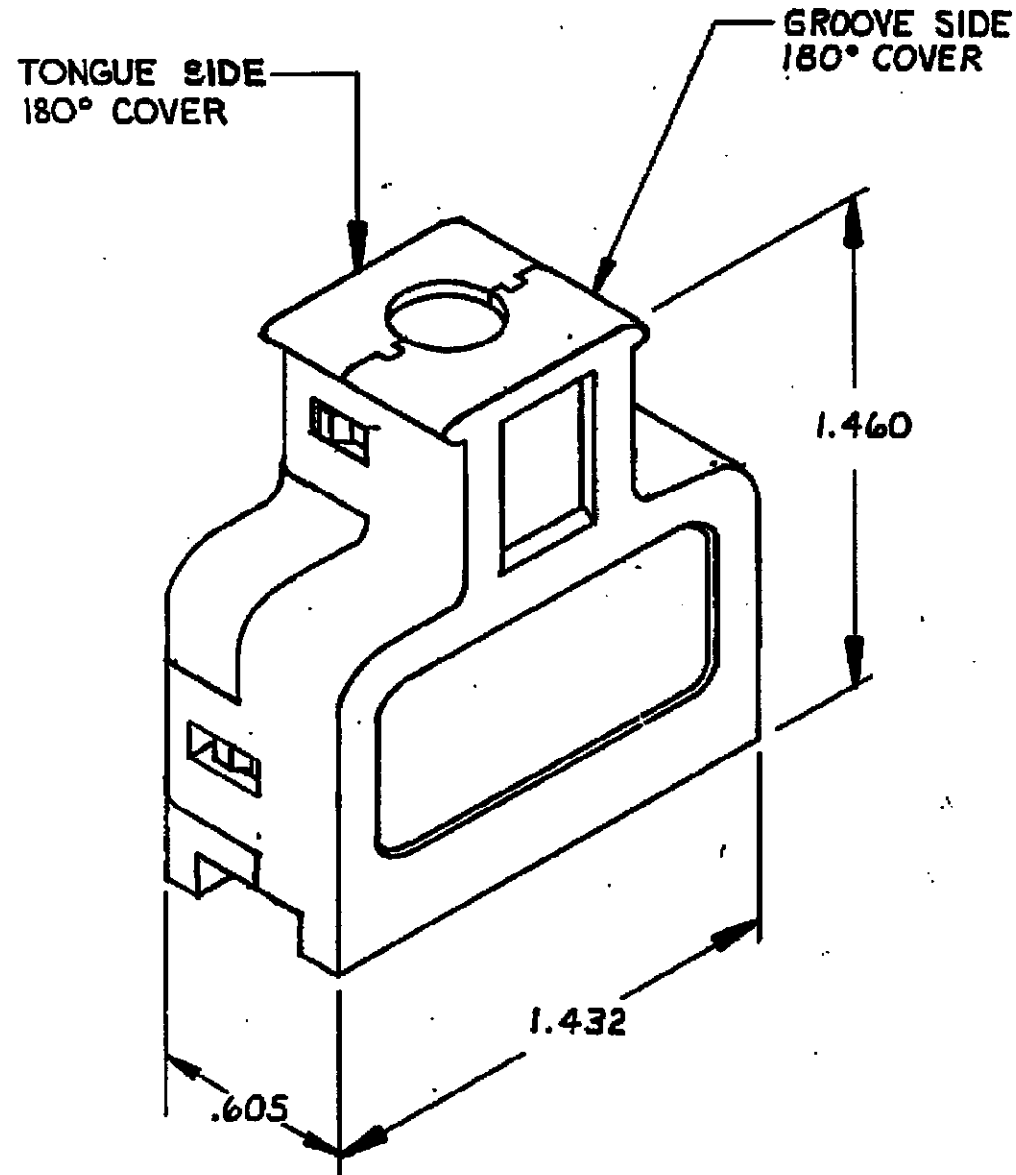
2

LOC AA DISF 20

THIS DRAWING IS UNPUBLISHED, RELEASED FOR PUBLICATION

COPYRIGHT

REVISIONS						
P	F	ZONE	LTR	DESCRIPTION	DATE	APPROVEC
			L1	REVISED PER ECO-11-005294	11APR11	HMR



1. ALL DIMENSIONS SHOWN ARE MAXIMUM UNLESS OTHERWISE SPECIFIED.
2. THIS KIT SHIPPED NOT ASSEMBLED.
3. PACKAGED ONE KIT PER POLY BAG.
4. 100 KITS BULK PACKED.

PACKAGED	CABLE RANGE DIAMETER	COLOR	GROOVE SIDE PART NO.	TONGUE SIDE PART NO.	KIT PART NO.
4	.320 - .380	BLACK	2- ↑ -1	2- ↑ -1	2- ↑ -1
	.280 - .320		1-552075-1	1-552074-1	1-552076-1
	.230 - .280		552075-1	552074-1	552076-1

UNLESS OTHERWISE SPECIFIED DIMENSIONS ARE IN INCHES. TOLERANCES ON: DECIMALS ± ANGLES ±		CONTRACT NO		TE Connectivity	
MATERIAL POLYPHENYLENE		DR Phil Collins 5-9-83 CHK Stephen Dow 5-26-83			
FINISH		OTHER APPD		NAME COVER KIT, 180°, 24 POSITION, CHAMP®	
				SIZE B	FSCM NO 00779
				DRAWING NO 552076	
				SCALE 2:1	
				SHEET 1 OF 1	

CUSTOMER DRAWING