



Chipsmall Limited consists of a professional team with an average of over 10 year of expertise in the distribution of electronic components. Based in Hongkong, we have already established firm and mutual-benefit business relationships with customers from,Europe,America and south Asia,supplying obsolete and hard-to-find components to meet their specific needs.

With the principle of “Quality Parts,Customers Priority,Honest Operation,and Considerate Service”,our business mainly focus on the distribution of electronic components. Line cards we deal with include Microchip,ALPS,ROHM,Xilinx,Pulse,ON,Everlight and Freescale. Main products comprise IC,Modules,Potentiometer,IC Socket,Relay,Connector.Our parts cover such applications as commercial,industrial, and automotives areas.

We are looking forward to setting up business relationship with you and hope to provide you with the best service and solution. Let us make a better world for our industry!



Contact us

Tel: +86-755-8981 8866 Fax: +86-755-8427 6832

Email & Skype: info@chipsmall.com Web: www.chipsmall.com

Address: A1208, Overseas Decoration Building, #122 Zhenhua RD., Futian, Shenzhen, China



DRAWING MADE IN THIRD ANGLE PROJECTION

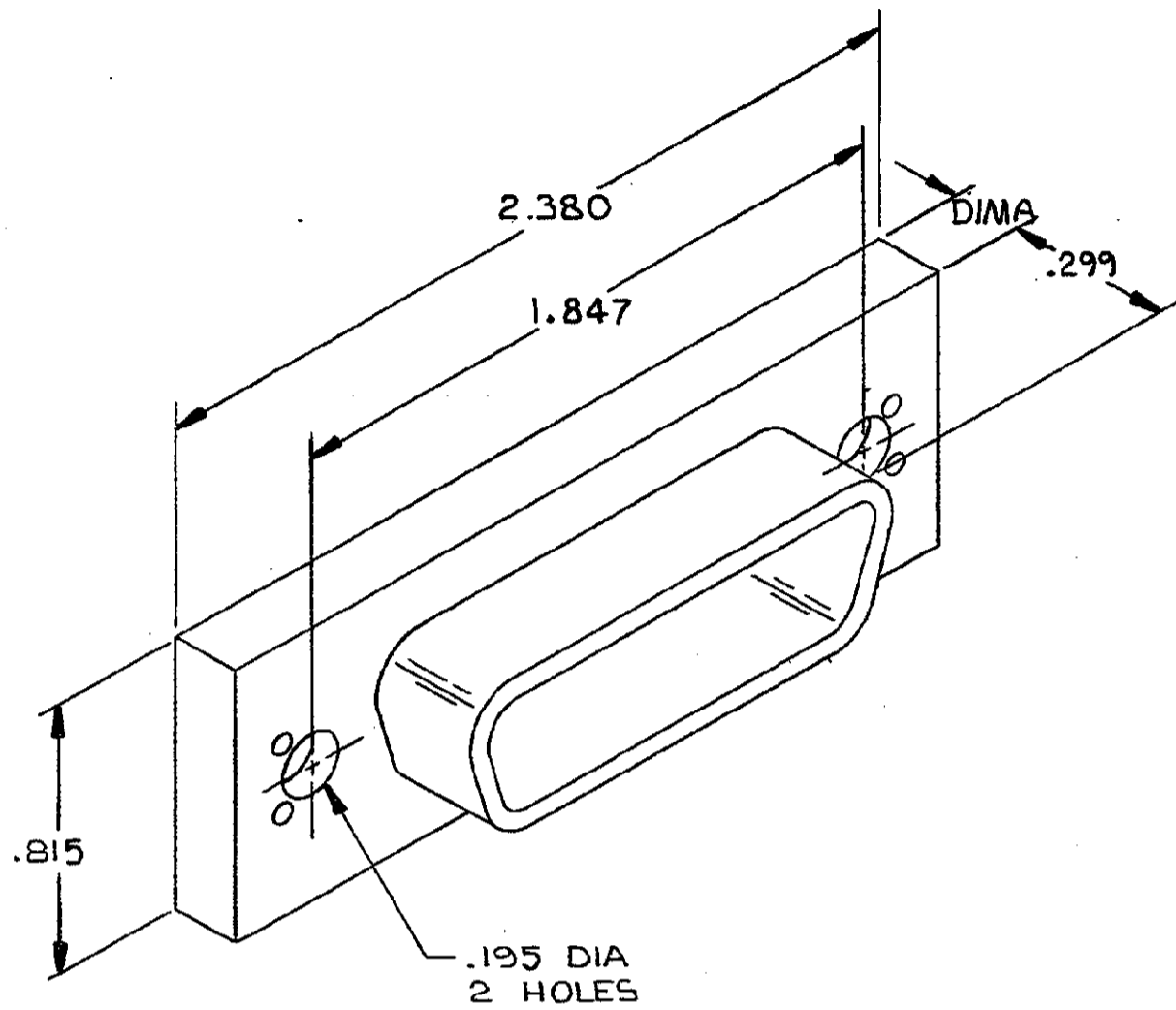
3

2

LOC 151
AA 15/2

THIS DRAWING IS UNPUBLISHED. RELEASED FOR PUBLICATION . 19
 © COPYRIGHT 19 BY AMP INCORPORATED, HARRISBURG, PA. ALL INTERNATIONAL RIGHTS RESERVED. AMP PRODUCTS MAY BE COVERED BY U.S. AND FOREIGN PATENTS AND/OR PATENTS PENDING.

REVISIONS						
P	F	ZONE	LTR	DESCRIPTION	DATE	APPROVED
D			D	REVISED PER ECN AA-2543	3-17-86	SD



1. ALL DIMENSIONS SHOWN ARE MAXIMUM UNLESS OTHERWISE SPECIFIED.

553035

		.085	ZINC	REAR ONLY	553035-6
		.198		FRONT & REAR	553035-5
		DIM A	MATERIAL	TYPE MOUNTING	PART NO
UNLESS OTHERWISE SPECIFIED DIMENSIONS ARE IN INCHES. TOLERANCES ON: DECIMALS ± # ANGLES ± #	CONTRACT NO		AMP AMP INCORPORATED Harrisburg, Pa. 17105		
	DR <i>L. Bowman</i> 12-31-81				
MATERIAL SEE TABLE	CHK <i>MD</i> 1-13-82		NAME SHIELD, EMI RECEPTACLE, PANEL MOUNTING, CHAMP		
	APPD <i>MD</i> 1-14-82				
FINISH BRIGHT NICKEL PLATE	APPD <i>MD</i> 1-14-82		DRAWING NO 553035		
	DSGN APPD		SIZE C	FSCM NO 00779	SHEET 1 OF 1
OTHER APPD		SCALE 2/1			