



Chipsmall Limited consists of a professional team with an average of over 10 year of expertise in the distribution of electronic components. Based in Hongkong, we have already established firm and mutual-benefit business relationships with customers from,Europe,America and south Asia,supplying obsolete and hard-to-find components to meet their specific needs.

With the principle of “Quality Parts,Customers Priority,Honest Operation,and Considerate Service”,our business mainly focus on the distribution of electronic components. Line cards we deal with include Microchip,ALPS,ROHM,Xilinx,Pulse,ON,Everlight and Freescale. Main products comprise IC,Modules,Potentiometer,IC Socket,Relay,Connector.Our parts cover such applications as commercial,industrial, and automotives areas.

We are looking forward to setting up business relationship with you and hope to provide you with the best service and solution. Let us make a better world for our industry!



Contact us

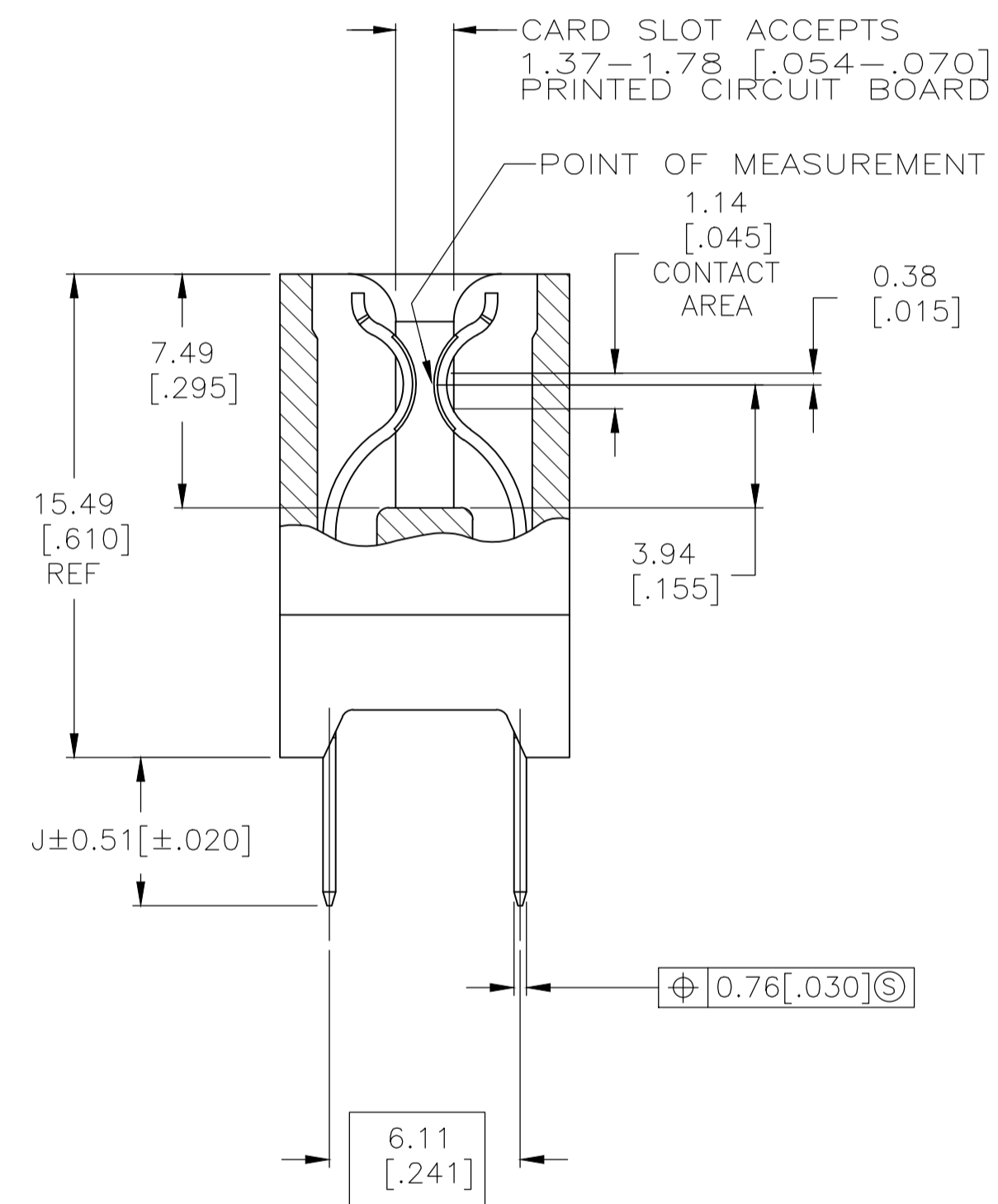
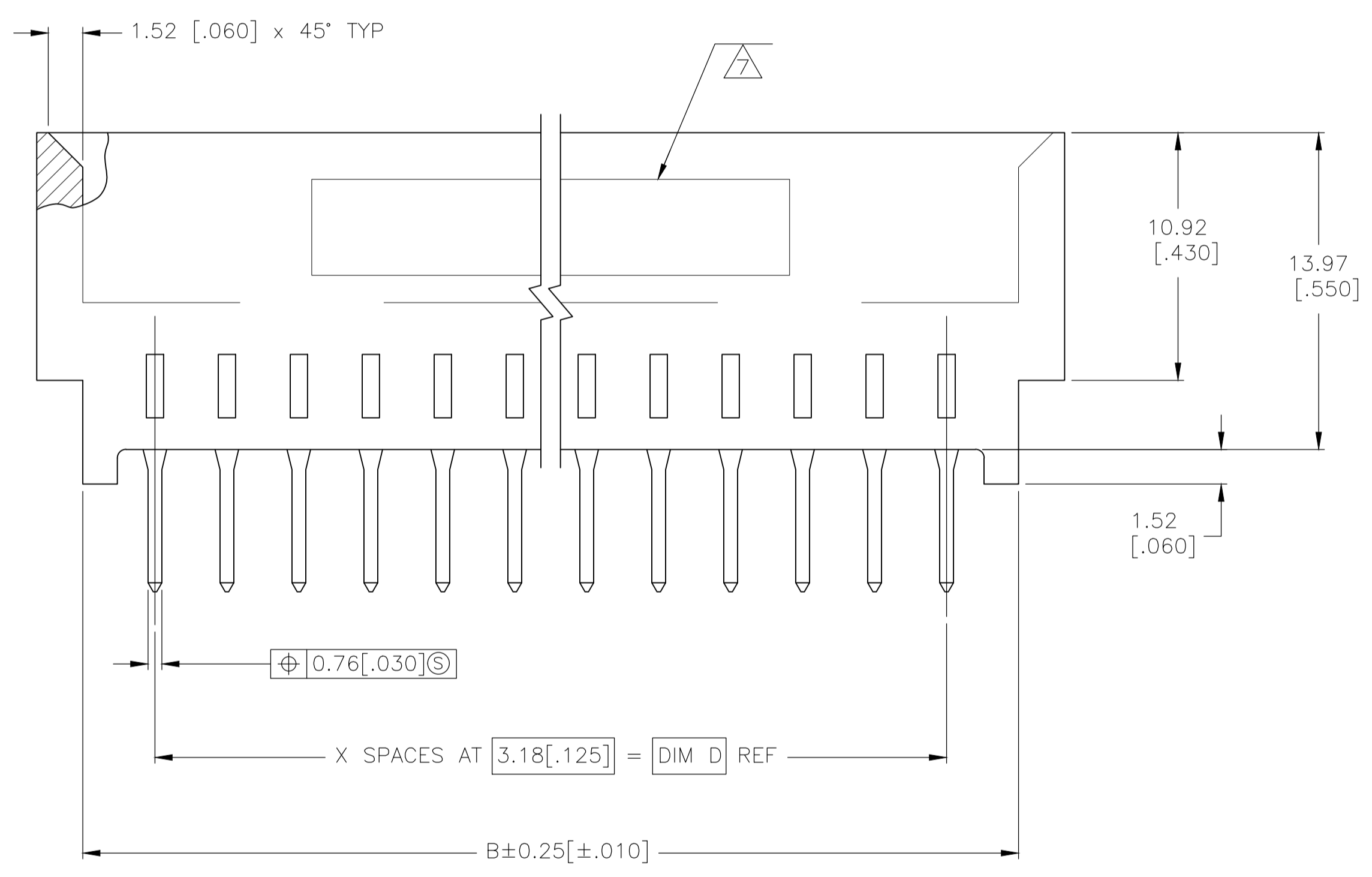
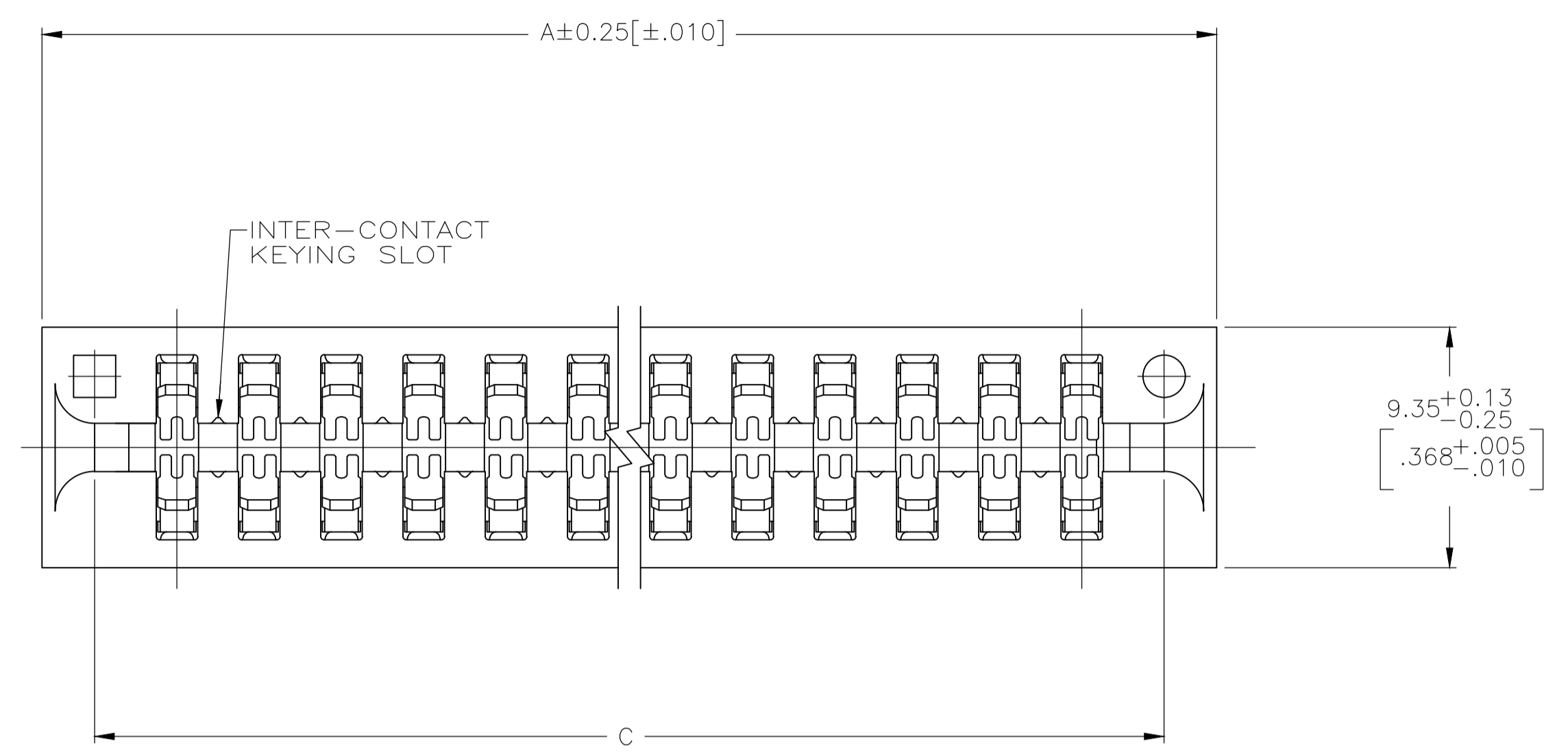
Tel: +86-755-8981 8866 Fax: +86-755-8427 6832

Email & Skype: info@chipsmall.com Web: www.chipsmall.com

Address: A1208, Overseas Decoration Building, #122 Zhenhua RD., Futian, Shenzhen, China



REVISIONS				
P	LTR	DESCRIPTION	DATE	APPD
B		REVISED PER ECO-17-014232	23JAN2017	SY HL



- ① HOUSING: GLASS FILLED POLYESTER; COLOR: BLACK.
- ② CONTACT: PHOSPHOR BRONZE.
- ③ CONTACT: 0.00127 [.000050] MIN NICKEL ALL OVER.
- ④ CONTACT: 0.00254 [.000100] MIN MATTE TIN ON SOLDER POSTS.
- ⑤ CONTACT: 0.00076 [.000030] MIN GOLD IN CONTACT AREA.
- ⑥ CONTACT: NICKEL PLATE PER MIL-G-45204. GOLD PLATE PER QQ-N-290.
- ⑦ AMP PART NUMBER AND DATE CODE ARE MARKED IN APPROXIMATE AREA SHOWN, EITHER SIDE.
- 8. RECOMMENDED PCB FINISHED HOLE DIA: 1.02±0.08 [.040±.003].
- ⑧ OBSOLETE PARTS: OBSOLETE CIS STREAMLINING PER D.RENAUD/D.SINISI

⑨	OBSOLETE	4.75 [.187]	41.28 [1.625]	47.62 [1.875]	47.62 [1.875]	51.69 [2.035]	13	14	-5-5530844-8-
	OBSOLETE	4.75 [.187]	155.98 [6.125]	161.92 [6.375]	161.92 [6.375]	165.99 [6.535]	49	50	2-5530844-2-
		4.75 [.187]	123.82 [4.875]	130.18 [5.125]	130.18 [5.125]	134.24 [5.285]	39	40	2-5530844-0
⑨	OBSOLETE	4.75 [.187]	111.12 [4.375]	117.48 [4.625]	117.48 [4.625]	121.54 [4.785]	35	36	1-5530844-9-
⑨	OBSOLETE	4.75 [.187]	92.08 [3.625]	98.42 [3.875]	98.42 [3.875]	102.49 [4.035]	29	30	1-5530844-8-
	OBSOLETE	4.75 [.187]	85.72 [3.375]	92.08 [3.625]	92.08 [3.625]	96.14 [3.785]	27	28	1-5530844-7-
		4.75 [.187]	66.68 [2.625]	73.02 [2.875]	73.02 [2.875]	77.09 [3.035]	21	22	1-5530844-6-
	OBSOLETE	4.75 [.187]	53.98 [2.125]	60.32 [2.375]	60.32 [2.375]	64.39 [2.535]	17	18	1-5530844-5-
		3.18 [.125]	155.58 [6.125]	161.92 [6.375]	161.92 [6.375]	165.99 [6.535]	49	50	1-5530844-1
⑨	OBSOLETE	3.18 [.125]	133.35 [5.250]	139.70 [5.500]	139.70 [5.500]	143.76 [5.660]	42	43	1-5530844-0-
		J	D	C	B	A	X	NO OF POSN	PART NUMBER

THIS DRAWING IS A CONTROLLED DOCUMENT.

DIMENSIONS: mm [INCHES]	TOLERANCES UNLESS OTHERWISE SPECIFIED:	DIN R BROWN 02MAR2006	APVD M MILLER 02MAR2006	NAME
0 PLC ± -	1 PLC ± -	2 PLC ± -	3 PLC ± 0.13 [.005]	4 PLC ± -
ANGLES ± -	FINISH	WEIGHT 0.000000	A1 00779	5530844

STE TE Connectivity

CONNECTOR ASSEMBLY, STANDARD EDGE II, 3.18 [.125] CL

CUSTOMER DRAWING SCALE 5:1 SHEET 1 OF 1 REV B