



Chipsmall Limited consists of a professional team with an average of over 10 year of expertise in the distribution of electronic components. Based in Hongkong, we have already established firm and mutual-benefit business relationships with customers from,Europe,America and south Asia,supplying obsolete and hard-to-find components to meet their specific needs.

With the principle of “Quality Parts,Customers Priority,Honest Operation,and Considerate Service”,our business mainly focus on the distribution of electronic components. Line cards we deal with include Microchip,ALPS,ROHM,Xilinx,Pulse,ON,Everlight and Freescale. Main products comprise IC,Modules,Potentiometer,IC Socket,Relay,Connector.Our parts cover such applications as commercial,industrial, and automotives areas.

We are looking forward to setting up business relationship with you and hope to provide you with the best service and solution. Let us make a better world for our industry!



Contact us

Tel: +86-755-8981 8866 Fax: +86-755-8427 6832

Email & Skype: info@chipsmall.com Web: www.chipsmall.com

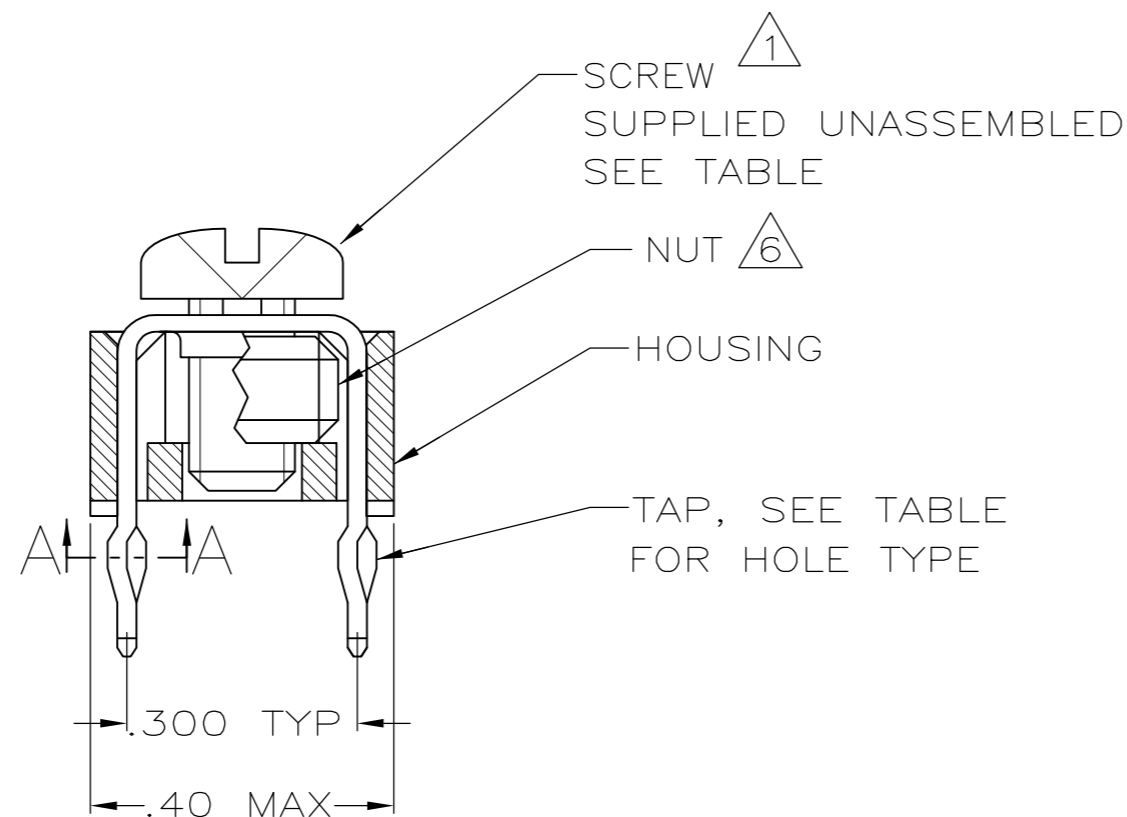
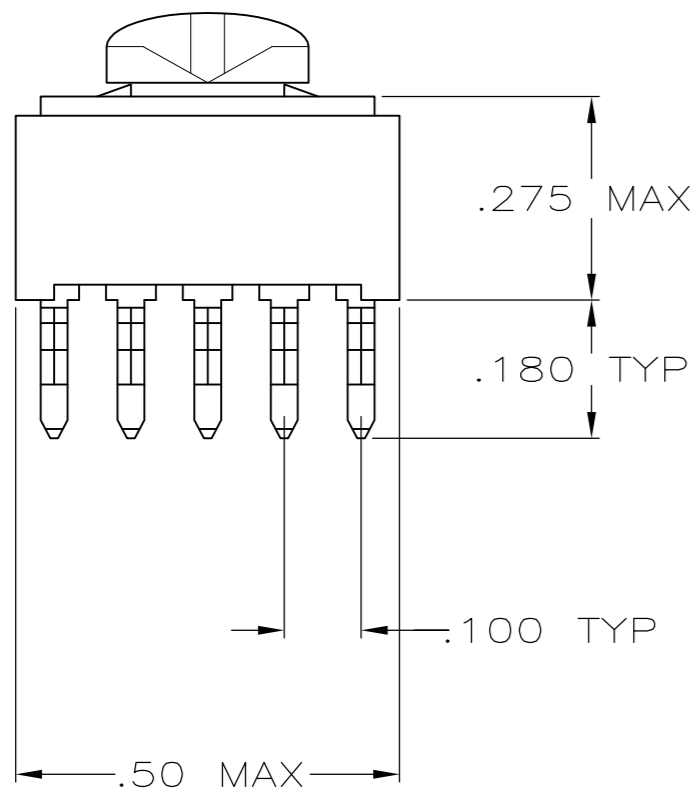
Address: A1208, Overseas Decoration Building, #122 Zhenhua RD., Futian, Shenzhen, China



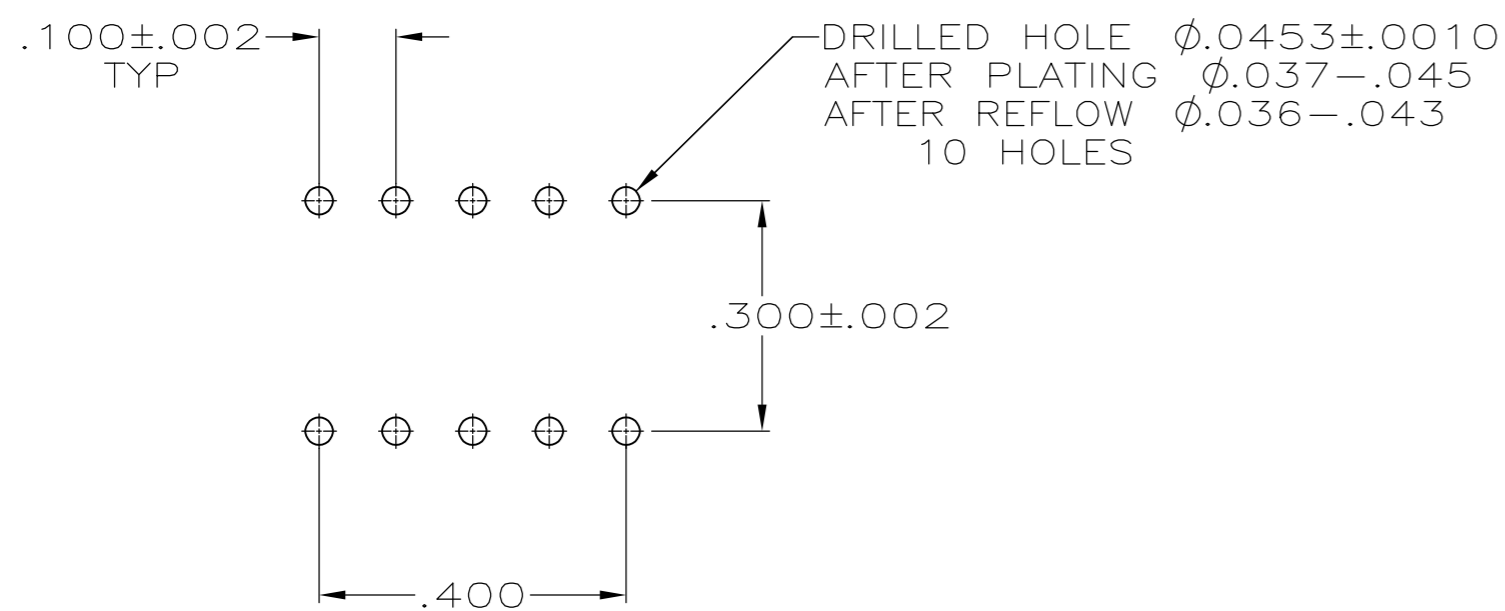
THIS DRAWING IS UNPUBLISHED. RELEASED FOR PUBLICATION
 © COPYRIGHT - By - ALL RIGHTS RESERVED.

LOC	DIST	REVISIONS					
GP	00	P	LTR	DESCRIPTION	DATE	DWN	APVD
		S1		REVISED PER ECO-11-004835	11MAR11	RK	HMR

.050±.005 DIA
 SECTION A-A
 SCALE 10:1
 10 PLACES



- 1 TO PREVENT THREAD STRIPPING, SCREW TORQUE SHOULD NOT EXCEED 9 IN LBS.
- 2 TAP HOLE IS 6-32UNC-2B, TWO MIN THREADS.
- 3 TAP HOLE IS M4 X 0.7, TWO MIN THREADS.
- 4 PACKAGED BULK.
- 5 PACKAGED INDIVIDUALLY.
- 6 NUT INCREASES TORQUE VALUE TO 26 IN LBS.
- 7 HOUSING: NYLON UL 94V-0. TAP: COPPER ALLOY 735, .025 THICK.
- 8 TAP: .000150 TIN-LEAD OVER .000050 NICKEL.
- 9 CLEARANCE HOLE FOR A 6-32 SCREW.
- 10 TAP: .000150 TIN OVER .000050 NICKEL.



PC BOARD PATTERN

PACKAGE	FINISH	HOLE TYPE	HOUSING COLOR	HOUSING AND TAP ASSEMBLED	SCREW	PART NO.
	4	10	2	BLACK	YES	993879-1 9-55556-0
	4	8	9	BLACK	6 YES (W/NUT)	NO 1-55556-3
	4	8	9	BLACK	6 YES (W/NUT)	993879-1 1-55556-2
OBSOLETE	5	8	2	BLACK	YES	993879-1 1-55556-1
SUPSD BY -9	-	8	3	BLACK	YES	NO 1-55556-0
	4	8	3	BLACK	YES	M4 X 0.7 X 6MM 55556-9
SUPSD BY -4	-	8	2	WHITE	YES	993879-1 55556-8
SUPSD BY -4	-	8	2	GREEN	YES	993879-1 55556-7
SUPSD BY -4	-	8	2	BLUE	YES	993879-1 55556-6
SUPSD BY -4	-	8	2	RED	YES	993879-1 55556-5
	4	8	2	BLACK	YES	993879-1 55556-4
	4	8	2	BLACK	YES	NO 55556-3
OBSOLETE	-	8	2	BLACK	NO	993879-1 55556-2
	-	8	2	BLACK	NO	NO 55556-1

THIS DRAWING IS A CONTROLLED DOCUMENT.

DWN	J.McCLINTON	1-11-88
CHK	R.STONE	1-11-88
APVD	M.GALLOWAY	1-11-88

TE Connectivity

TAP ASSEMBLY, POWER DISTRIBUTION

SIZE	A2	CAGE CODE	00779	DRAWING NO	C=55556	RESTRICTED TO
SCALE	4:1	SHEET	1 OF 1	REV	S1	

CUSTOMER DRAWING