



Chipsmall Limited consists of a professional team with an average of over 10 year of expertise in the distribution of electronic components. Based in Hongkong, we have already established firm and mutual-benefit business relationships with customers from,Europe,America and south Asia,supplying obsolete and hard-to-find components to meet their specific needs.

With the principle of “Quality Parts,Customers Priority,Honest Operation,and Considerate Service”,our business mainly focus on the distribution of electronic components. Line cards we deal with include Microchip,ALPS,ROHM,Xilinx,Pulse,ON,Everlight and Freescale. Main products comprise IC,Modules,Potentiometer,IC Socket,Relay,Connector.Our parts cover such applications as commercial,industrial, and automotives areas.

We are looking forward to setting up business relationship with you and hope to provide you with the best service and solution. Let us make a better world for our industry!



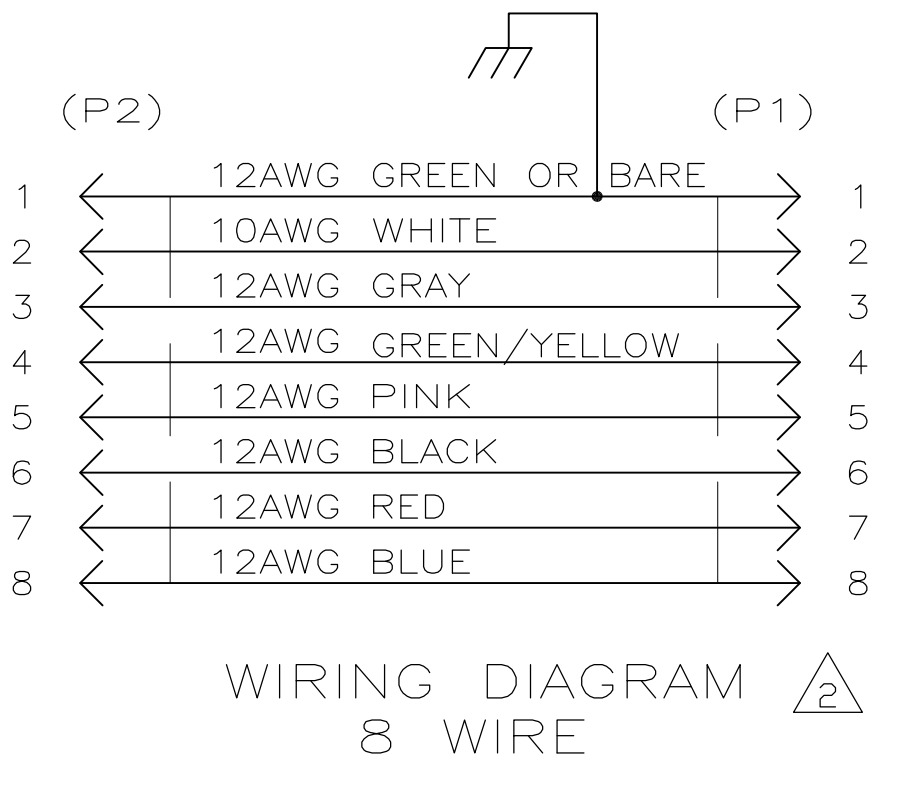
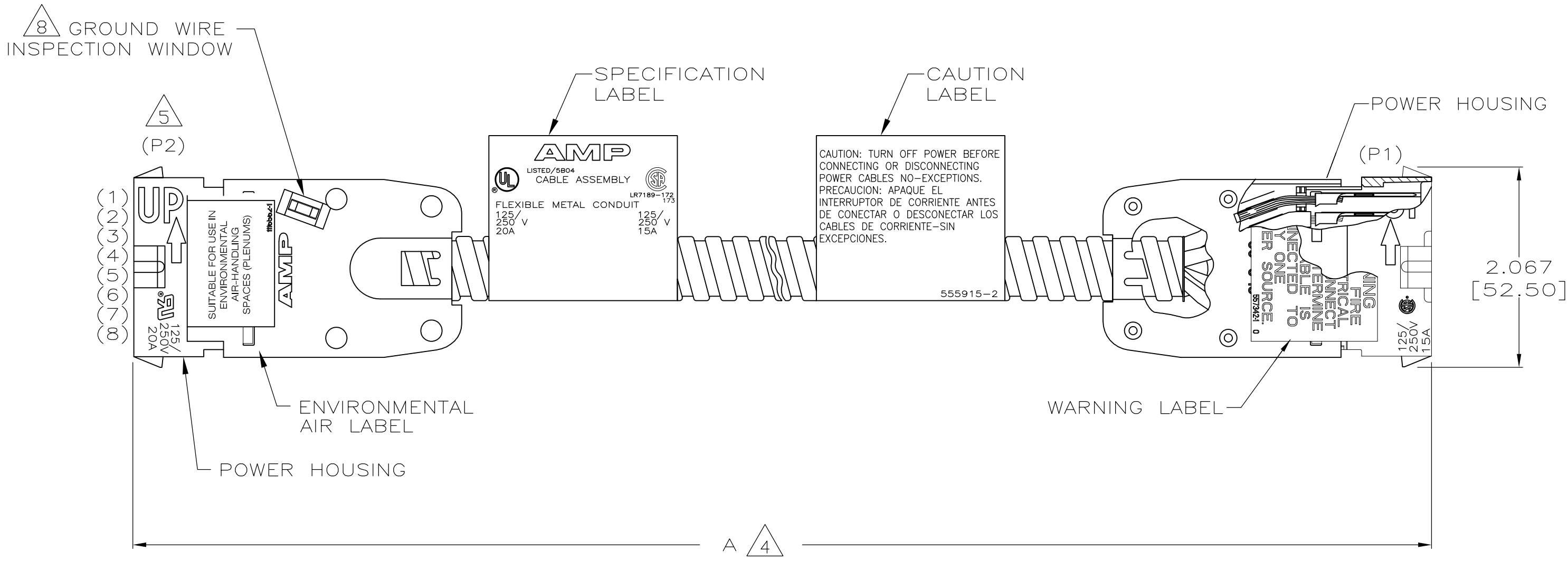
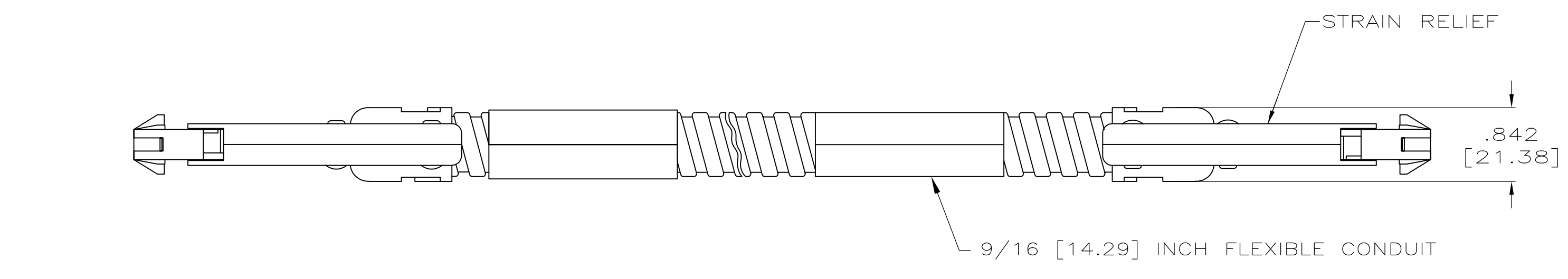
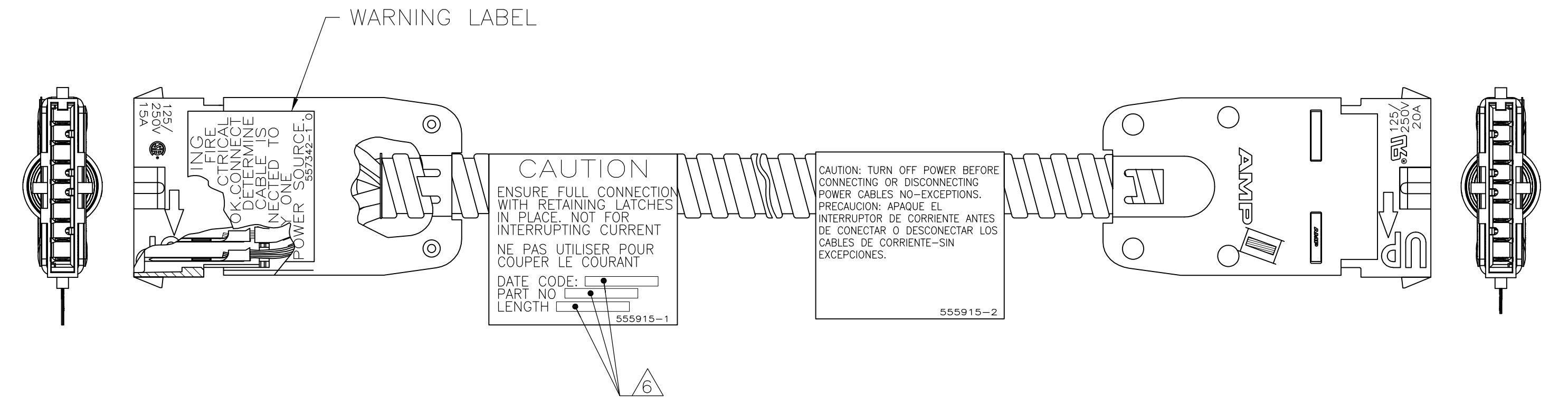
## Contact us

Tel: +86-755-8981 8866 Fax: +86-755-8427 6832

Email & Skype: info@chipsmall.com Web: www.chipsmall.com

Address: A1208, Overseas Decoration Building, #122 Zhenhua RD., Futian, Shenzhen, China





- 1 DIMENSIONS SHOWN ARE MAXIMUM UNLESS OTHERWISE SPECIFIED.
- 2 CABLE ASSEMBLY IS WIRED PER WIRING DIAGRAM.
- 3 MATERIAL:  
CONNECTOR HOUSINGS - POLYCARBONATE, UL 94V-0, RATED, BLACK.  
STRAIN RELIEFS - CARBON STEEL WITH NICKEL PLATING 5.08µm [.000200] MINIMUM THICK.  
CONTACTS - COPPER ALLOY WITH SILVER PLATED STRIP 3.81µm [.000150] MINIMUM THICK.
- 4 DIMENSION A SHALL BE MEASURED WITH CONDUIT IN THE RELAXED POSITION.
- 5 DESIGNATIONS IN PARENTHESES ( ) ARE FOR REFERENCE ONLY.
- 6 MANUFACTURING LOCATION, DATE CODE, PART NUMBER AND LENGTH SHALL BE INK STAMPED WHERE INDICATED.
- 7 APPLICATION: AMPINERGY™ MODULAR POWER DISTRIBUTION SYSTEM, A MANUFACTURED WIRING SYSTEM.
- 8 USE GROUND WIRE INSPECTION WINDOW TO VERIFY BONDING AND GROUNDING CONDUCTOR.

5-556127-5	15.24	[50.00]
8-556127-8	12.19	[40.00]
8-556127-7	9.14	[30.00]
7-556127-1	7.62	[25.00]
7-556127-9	6.10	[20.00]
3-556127-3	4.57	[15.00]
5-556127-6	3.05	[10.00]
2-556127-7	1.52	[5.00]
1-556127-5	1.22	[4.00]
1-556127-8	0.91	[3.00]
2-556127-4	0.61	[2.00]
PART NUMBER	A	DIM m[ft]

THIS DRAWING IS A CONTROLLED DOCUMENT.

DIMENSIONS:	TOLERANCES UNLESS OTHERWISE SPECIFIED:	OWN	OBJUN01
mm(INCHES)		L. HALL	OBJUN01
		CHK	OBJUN01
		L. SMITH	OBJUN01
		APVD	OBJUN01
		F. LINCOLN	OBJUN01
		NAME	
		STE TE Connectivity	
		CABLE ASSEMBLY, POWER TO POWER, 8 WIRE	
		PRODUCT SPEC	
		APPLICATION SPEC	
MATERIAL	FINISH	SIZE	CAGE CODE
		A1	00779
		DRAWING NO	C=556127
		WEIGHT	
		SCALE	1:1
		SHEET	1 OF 1
		REV	AF2