



Chipsmall Limited consists of a professional team with an average of over 10 year of expertise in the distribution of electronic components. Based in Hongkong, we have already established firm and mutual-benefit business relationships with customers from,Europe,America and south Asia,supplying obsolete and hard-to-find components to meet their specific needs.

With the principle of "Quality Parts,Customers Priority,Honest Operation,and Considerate Service",our business mainly focus on the distribution of electronic components. Line cards we deal with include Microchip,ALPS,ROHM,Xilinx,Pulse,ON,Everlight and Freescale. Main products comprise IC,Modules,Potentiometer,IC Socket,Relay,Connector.Our parts cover such applications as commercial,industrial, and automotives areas.

We are looking forward to setting up business relationship with you and hope to provide you with the best service and solution. Let us make a better world for our industry!



Contact us

Tel: +86-755-8981 8866 Fax: +86-755-8427 6832

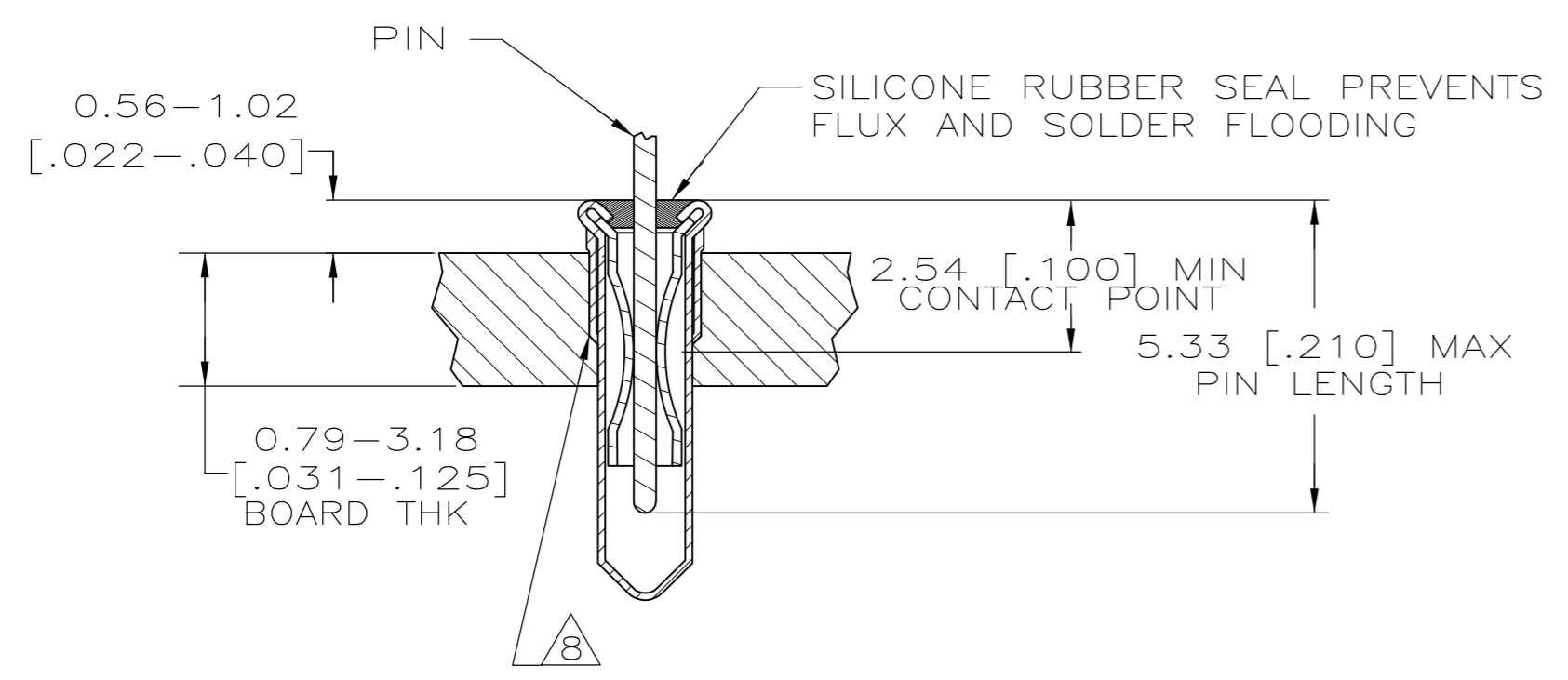
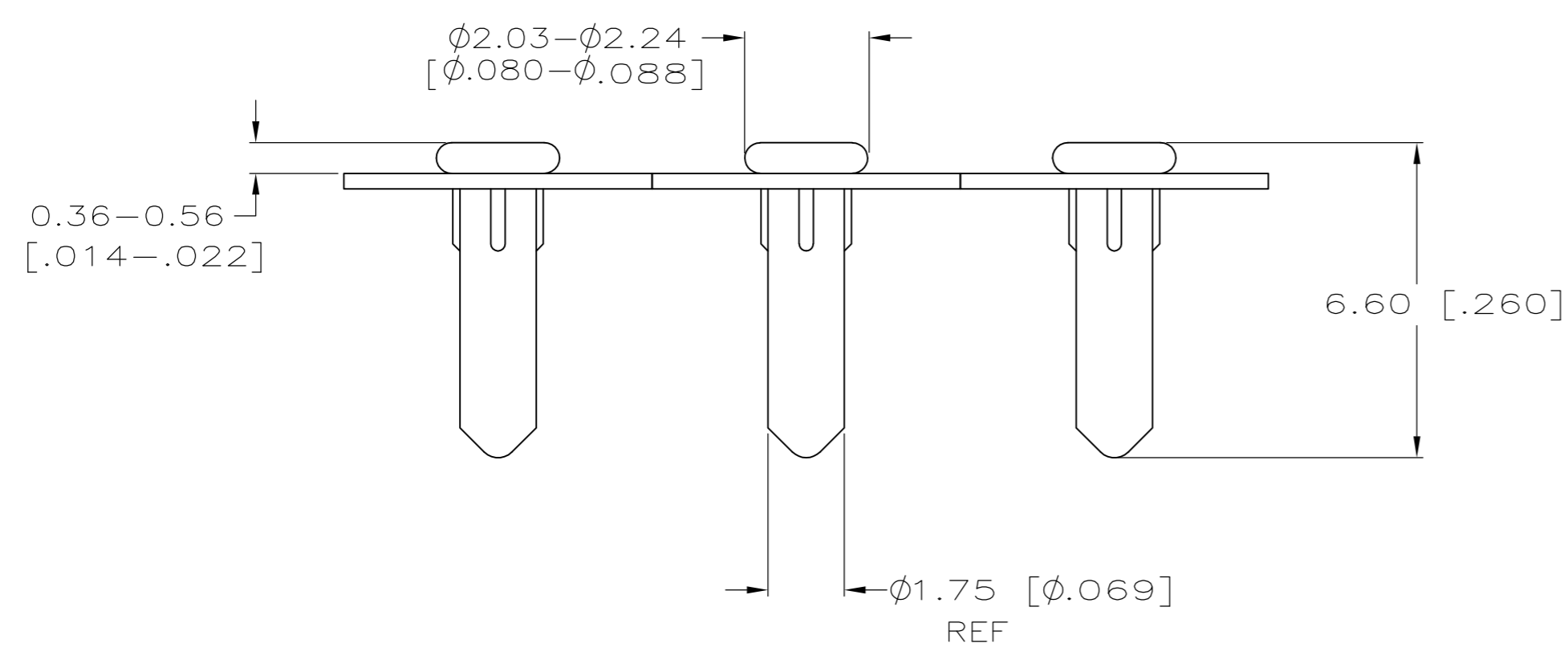
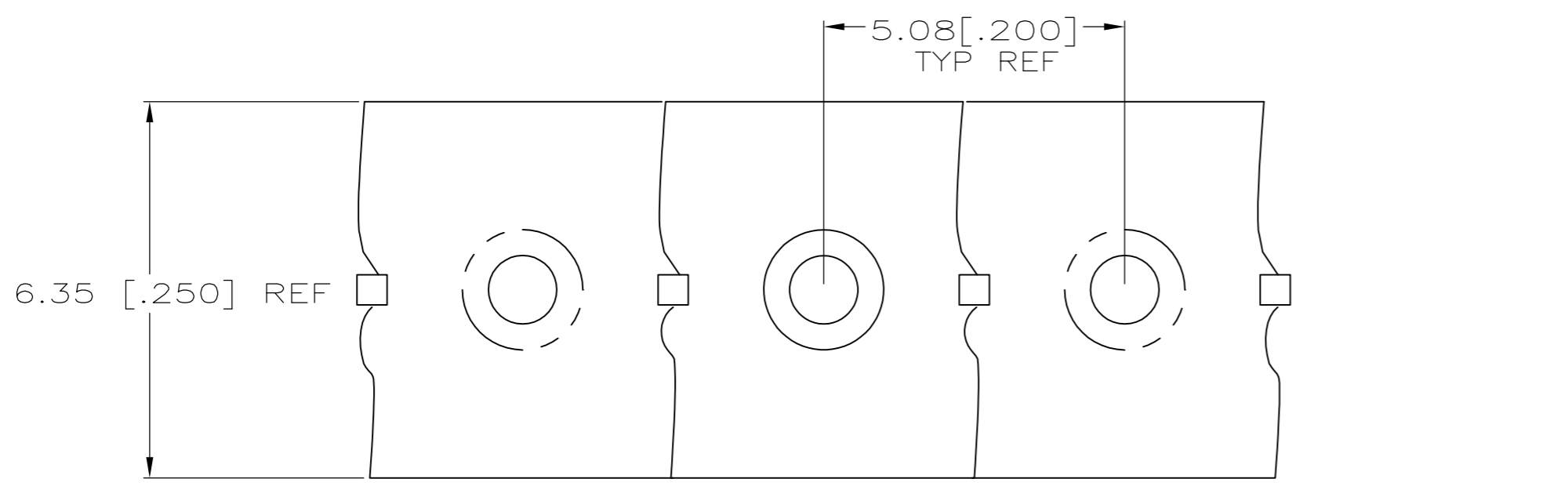
Email & Skype: info@chipsmall.com Web: www.chipsmall.com

Address: A1208, Overseas Decoration Building, #122 Zhenhua RD., Futian, Shenzhen, China



THIS DRAWING IS UNPUBLISHED. RELEASED FOR PUBLICATION
 © COPYRIGHT BY TYCO ELECTRONICS CORPORATION. ALL RIGHTS RESERVED.

LOC	DIST	REVISIONS					
		P	LTR	DESCRIPTION	DATE	DWN	APVD
AG	53	0		PER EC-0511-0022-05	20APR2005	GA	JGH
		01		REVISED PER ECO-09-024606	03NOV09	KK	AEG



- 1 MATERIAL:
EYELET- COPPER PER ASTM B 152
SPRING- BERYLLIUM-COPPER PER ASTM B 194
SEALANT- SILICONE RUBBER
- 2 TIN PLATE PER ASTM-B-545 0.00381 [.000150] MINIMUM THICKNESS.
- 3 TIN PLATE PER ASTM-B-545 0.00254 [.000100] MINIMUM THICKNESS.
- 4 GOLD PLATE PER SATM B 488 0.00076 [.000030] MINIMUM THICKNESS.
- 5. PACKAGED 10,000 PER REEL.
- 6 TO ENSURE 1/2 OZ MIN RETENTION, DO NOT NOT EXCEED 0.50 [.002] DIFFERENCE IN PIN DIA WHEN CHANGING TO A SMALLER DIA PIN.
- 7. APPLICATION TOOLING: MACHINE NO.: 817917-4.
- 8 SHOULDER ON SOCKET PROVIDES RETENTION IN THE P.C. BOARD. THE RECOMMENDED HOLE DIAMETER IS $\phi 1.75$ [$\phi 0.069$] MINIMUM, + 0.08 [.003] MAXIMUM PRIOR TO SOLDERING.
- 9 OBSOLETE PARTS: OBSOLETE CIS STREAMLINING PER D.RENAUD/D.SINISI

9 OBSOLETE	$\phi 0.94 - \phi 1.04$ [$\phi 0.037 - \phi 0.041$]	GOLD 4	TIN 2	1-5645501-3
		TIN 3		1-5645501-2
	PIN DIA 6	SPRING EYELET FINISH		PART NO

THIS DRAWING IS A CONTROLLED DOCUMENT.		DWN G. ATTADIA - DOCK5 20APR2005	Tyco Electronics Corporation Harrisburg, PA 17105-3608	
DIMENSIONS: mm [INCHES]		CHK J. HAVENER 20APR2005	NAME MINIATURE SPRING SOCKET ASSY SERIES 4	
TOLERANCES UNLESS OTHERWISE SPECIFIED:		APVD J. HAVENER 20APR2005	PRODUCT SPEC 108-14008	
0 PLC ± -		APPLICATION SPEC 114-26004	SIZE A2	CAGE CODE 00779
1 PLC ± -		WEIGHT -	DRAWING NO C=5645501	RESTRICTED TO -
2 PLC ± -		CUSTOMER DRAWING		
3 PLC ± 0.20 [.008]		SCALE 10:1	SHEET 1 of 1	REV 01
4 PLC ± -				
ANGLES ± -				
FINISH SEE TABLE				