



Chipsmall Limited consists of a professional team with an average of over 10 year of expertise in the distribution of electronic components. Based in Hongkong, we have already established firm and mutual-benefit business relationships with customers from,Europe,America and south Asia,supplying obsolete and hard-to-find components to meet their specific needs.

With the principle of “Quality Parts,Customers Priority,Honest Operation,and Considerate Service”,our business mainly focus on the distribution of electronic components. Line cards we deal with include Microchip,ALPS,ROHM,Xilinx,Pulse,ON,Everlight and Freescale. Main products comprise IC,Modules,Potentiometer,IC Socket,Relay,Connector.Our parts cover such applications as commercial,industrial, and automotives areas.

We are looking forward to setting up business relationship with you and hope to provide you with the best service and solution. Let us make a better world for our industry!



Contact us

Tel: +86-755-8981 8866 Fax: +86-755-8427 6832

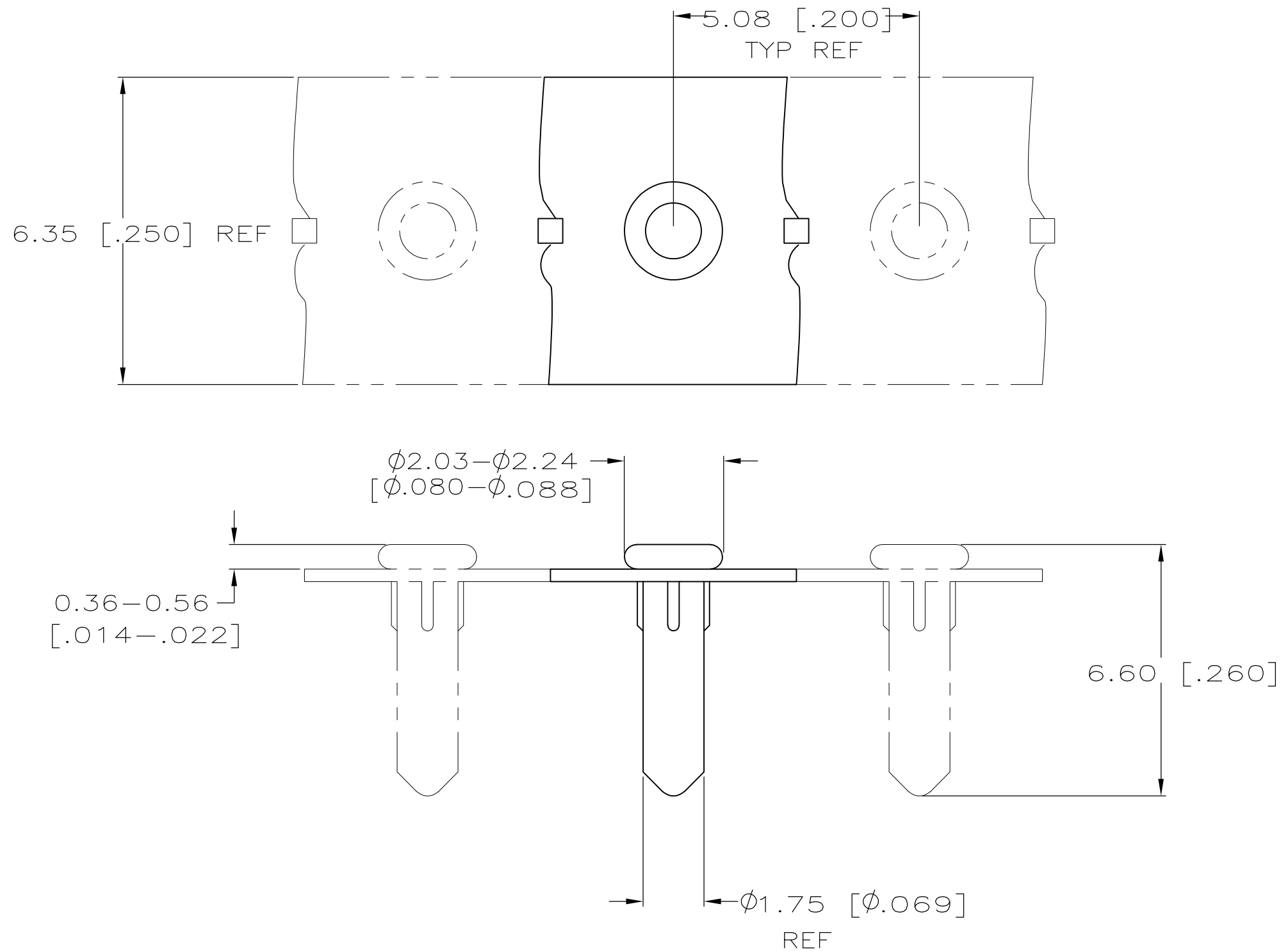
Email & Skype: info@chipsmall.com Web: www.chipsmall.com

Address: A1208, Overseas Decoration Building, #122 Zhenhua RD., Futian, Shenzhen, China



THIS DRAWING IS UNPUBLISHED. RELEASED FOR PUBLICATION
 © COPYRIGHT BY TYCO ELECTRONICS CORPORATION. ALL RIGHTS RESERVED.

LOC	DIST	REVISIONS					
AG	53	P	LTR	DESCRIPTION	DATE	DWN	APVD
		B		REV PER ECO-09-026264	09MAR2010	HMR	DB



- 1 MATERIAL:
EYELET- COPPER PER ASTM B 152.
SPRING- BERYLLIUM-COPPER PER ASTM B 194.
- 2 TIN PLATE PER ASTM B 545, 0.00254 [.000100] MINIMUM THICKNESS.
- 3 NICKEL UNDERPLATE ALL OVER, MATING SURFACE PLATED TO MEET PERFORMANCE REQUIREMENTS OF TYCO PRODUCT SPECIFICATION 108-14008.
- 4 PACKAGE 50,000 PER REEL.
- 5 PACKAGE 10,000 PER REEL.
- 6 TO ENSURE 1/2 OZ MIN RETENTION, DO NOT EXCEED 0.50 [.002] DIFFERENCE IN PIN DIA WHEN CHANGING TO A SMALLER DIA PIN.
- 7 SHOULDER ON SOCKET PROVIDES RETENTION IN THE P.C. BOARD. THE RECOMMENDED HOLE DIAMETER IS $\phi 1.75 [\phi .069]$ MINIMUM, + 0.08 [.003] MAXIMUM PRIOR TO SOLDERING.
- 8 OBSOLETE PARTS: OBSOLETE CIS STREAMLINING PER D.RENAUD/D.SINISI

8 OBSOLETE	5	$\phi 0.94-\phi 1.04$ [$\phi 0.037-\phi 0.041$]	TIN 2	TIN 2	-1-5645502-2
	5	$\phi 0.94-\phi 1.04$ [$\phi 0.037-\phi 0.041$]	GOLD 3	TIN 2	1-5645502-1
	4	$\phi 0.94-\phi 1.04$ [$\phi 0.037-\phi 0.041$]	GOLD 3	TIN 2	5645502-1
	PACKAGING		PIN DIA 6	SPRING EYELET FINISH	PART NO

THIS DRAWING IS A CONTROLLED DOCUMENT.		DWN J. POLIGNONE 26JAN06	Tyco Electronics Corporation Harrisburg, PA 17105-3608	
DIMENSIONS: mm [INCHES]		CHK J. HAVENER 26JAN06	NAME MINIATURE SPRING SOCKET ASSY SERIES 4	
TOLERANCES UNLESS OTHERWISE SPECIFIED:		APVD J. HAVENER 26JAN06	PRODUCT SPEC 108-14008	
0 PLC ± -		APPLICATION SPEC 114-26004	SIZE A2	CAGE CODE 00779
1 PLC ± -		WEIGHT -	DRAWING NO C=5645502	RESTRICTED TO -
2 PLC ± -		CUSTOMER DRAWING	SCALE 10:1	SHEET 1 of 1
3 PLC ± 0.20[.008]			REV B	
4 PLC ± -				
ANGLES ± -				
FINISH SEE TABLE				