



Chipsmall Limited consists of a professional team with an average of over 10 year of expertise in the distribution of electronic components. Based in Hongkong, we have already established firm and mutual-benefit business relationships with customers from,Europe,America and south Asia,supplying obsolete and hard-to-find components to meet their specific needs.

With the principle of “Quality Parts,Customers Priority,Honest Operation,and Considerate Service”,our business mainly focus on the distribution of electronic components. Line cards we deal with include Microchip,ALPS,ROHM,Xilinx,Pulse,ON,Everlight and Freescale. Main products comprise IC,Modules,Potentiometer,IC Socket,Relay,Connector.Our parts cover such applications as commercial,industrial, and automotives areas.

We are looking forward to setting up business relationship with you and hope to provide you with the best service and solution. Let us make a better world for our industry!



Contact us

Tel: +86-755-8981 8866 Fax: +86-755-8427 6832

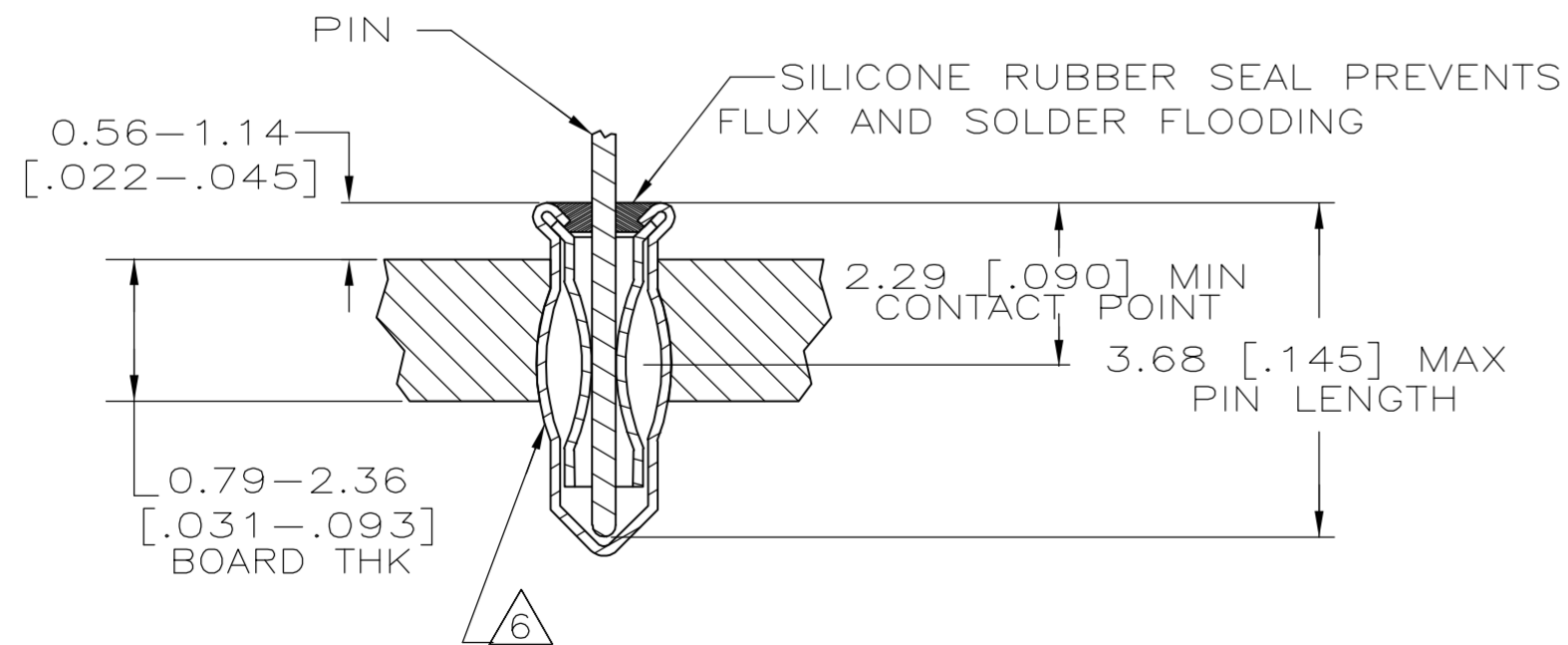
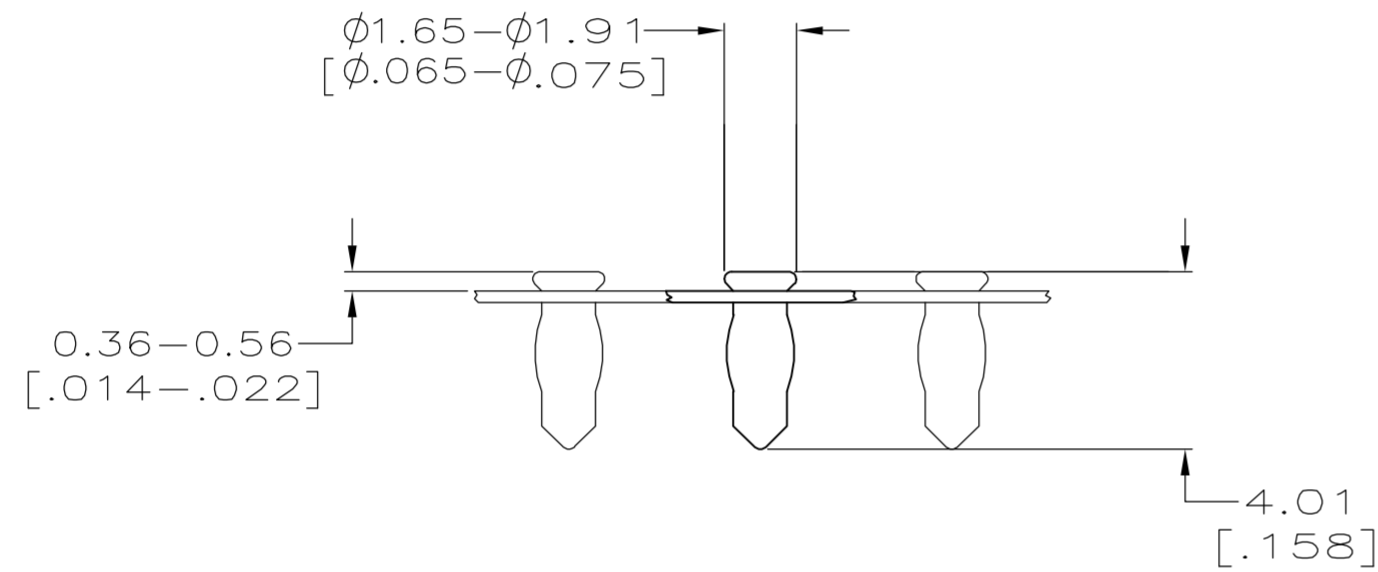
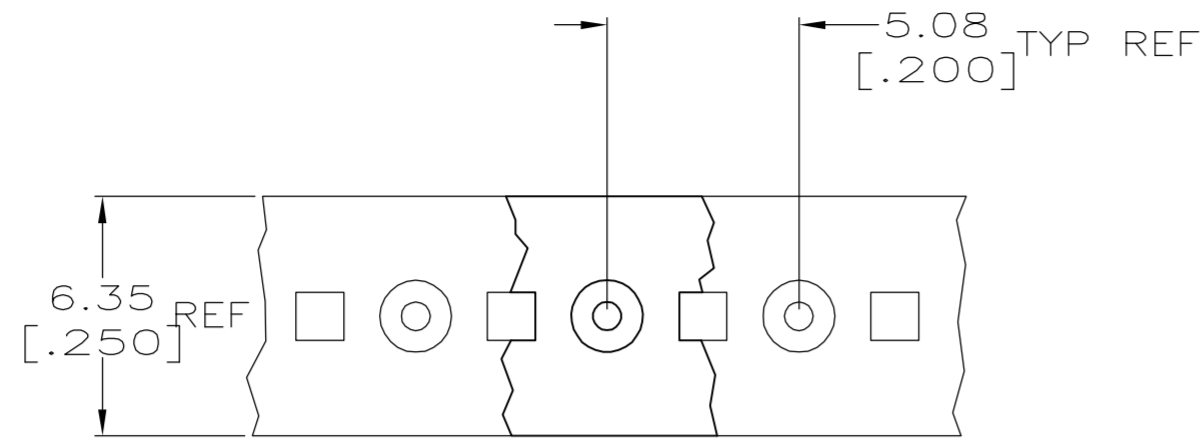
Email & Skype: info@chipsmall.com Web: www.chipsmall.com

Address: A1208, Overseas Decoration Building, #122 Zhenhua RD., Futian, Shenzhen, China



THIS DRAWING IS UNPUBLISHED. RELEASED FOR PUBLICATION
 © COPYRIGHT BY TYCO ELECTRONICS CORPORATION. ALL RIGHTS RESERVED.

LOC	DIST	REVISIONS			
P	LTR	DESCRIPTION	DATE	DWN	APVD
AG	53	0	RELEASED.	30SEP2005	JGH/JGH



- 1 MATERIAL:
 EYELET - COPPER PER ASTM B 152
 SPRING - BERYLLIUM COPPER PER ASTM B 194
 SEALANT - SILICONE RUBBER
- 2 TIN PLATE PER ASTM B 545 0.00381 [.000150] MIN THICK.
- 3 GOLD PLATE PER ASTM B 488 0.00076 [.000030] MIN THICK ON CONTACT AREA.
- 4 PACKAGED 50,000 PER REEL.
- 5 TO INSURE 1/2 OZ MIN RETENTION DO NOT EXCEED 0.10 [.004] DIFFERENCE IN PIN DIA WHEN CHANGING TO A SMALLER DIA PIN
- 6 PRODUCT IS OVALIZED FOR RETENTION IN THE P.C. BOARD. THE RECOMMENDED HOLE DIAMETER IS $\phi 1.32$ [$\phi 0.052$] MINIMUM, +0.08 [.003] MAX. PRIOR TO SOLDERING.
- 7 PACKAGED 10,000 PER REEL.

2.29-3.68 [.090-.145]	$\phi 0.36-0.56$ [$\phi 0.014-.022$]			7 1-5645953-5
	$\phi 0.51-0.66$ [$\phi 0.020-.026$]	GOLD 3	TIN 2	7 1-5645953-2
				4 5645953-2
LENGTH	DIAMETER 5	SPRING	EYELET	PART NUMBER
PIN		FINISH		
THIS DRAWING IS A CONTROLLED DOCUMENT.		DWN J. HAVENER 30SEP2005	tyco Tyco Electronics Corporation	
DIMENSIONS: INCHES		CHK J. HAVENER 30SEP2005	Harrisburg, PA 17105-3608	
TOLERANCES UNLESS OTHERWISE SPECIFIED:		APVD J. HAVENER 30SEP2005	NAME	
0 PLC ± -		PRODUCT SPEC	MINIATURE SPRING SOCKET ASSY	
1 PLC ± -		APPLICATION SPEC	SERIES 2 SHORT	
2 PLC ± -		108-14008	WITH SEALANT	
3 PLC ± 0.20 [.008]		114-26004	SIZE A2	CAGE CODE 00779
4 PLC ± -		WEIGHT -	DRAWING NO C=5645953	RESTRICTED TO -
ANGLES ± -		CUSTOMER DRAWING	SCALE NTS	SHEET 1 of 1
FINISH SEE TABLE				REV 0