



Chipsmall Limited consists of a professional team with an average of over 10 year of expertise in the distribution of electronic components. Based in Hongkong, we have already established firm and mutual-benefit business relationships with customers from,Europe,America and south Asia,supplying obsolete and hard-to-find components to meet their specific needs.

With the principle of “Quality Parts,Customers Priority,Honest Operation,and Considerate Service”,our business mainly focus on the distribution of electronic components. Line cards we deal with include Microchip,ALPS,ROHM,Xilinx,Pulse,ON,Everlight and Freescale. Main products comprise IC,Modules,Potentiometer,IC Socket,Relay,Connector.Our parts cover such applications as commercial,industrial, and automotives areas.

We are looking forward to setting up business relationship with you and hope to provide you with the best service and solution. Let us make a better world for our industry!



Contact us

Tel: +86-755-8981 8866 Fax: +86-755-8427 6832

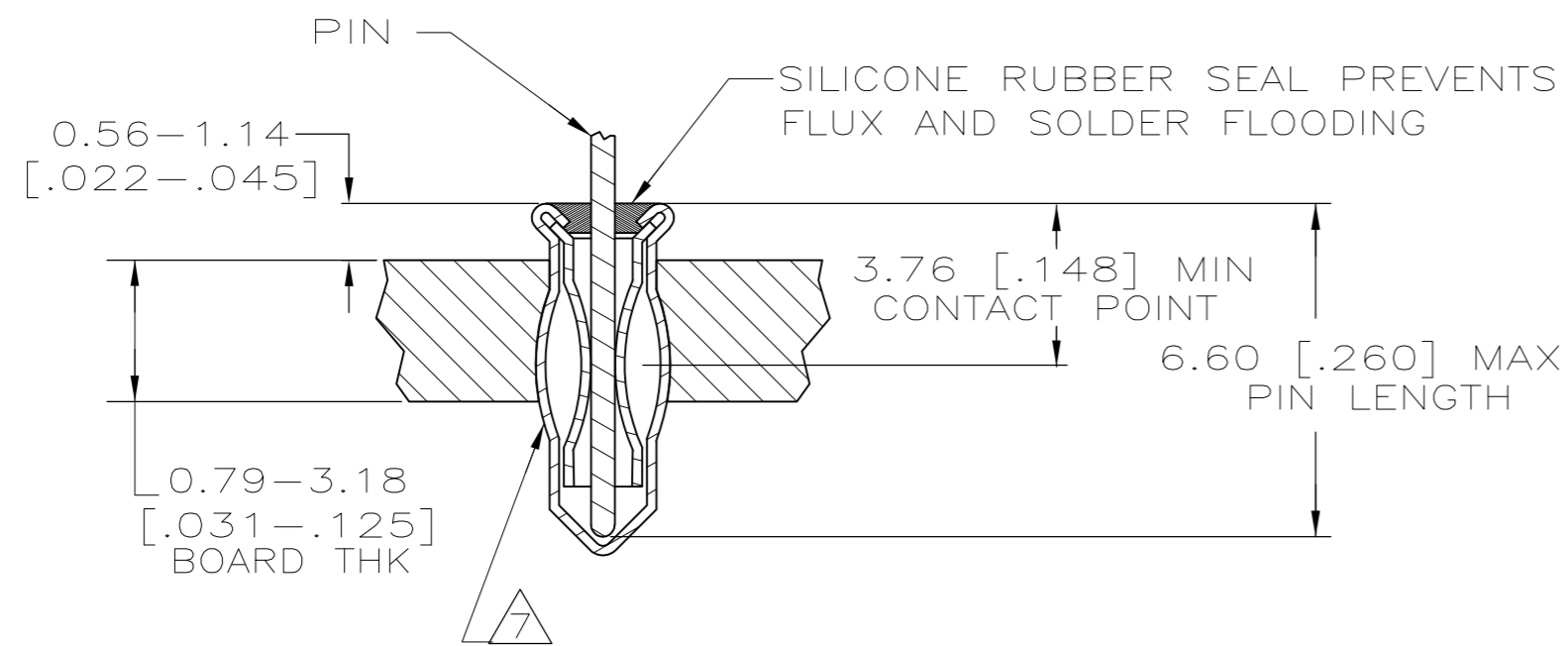
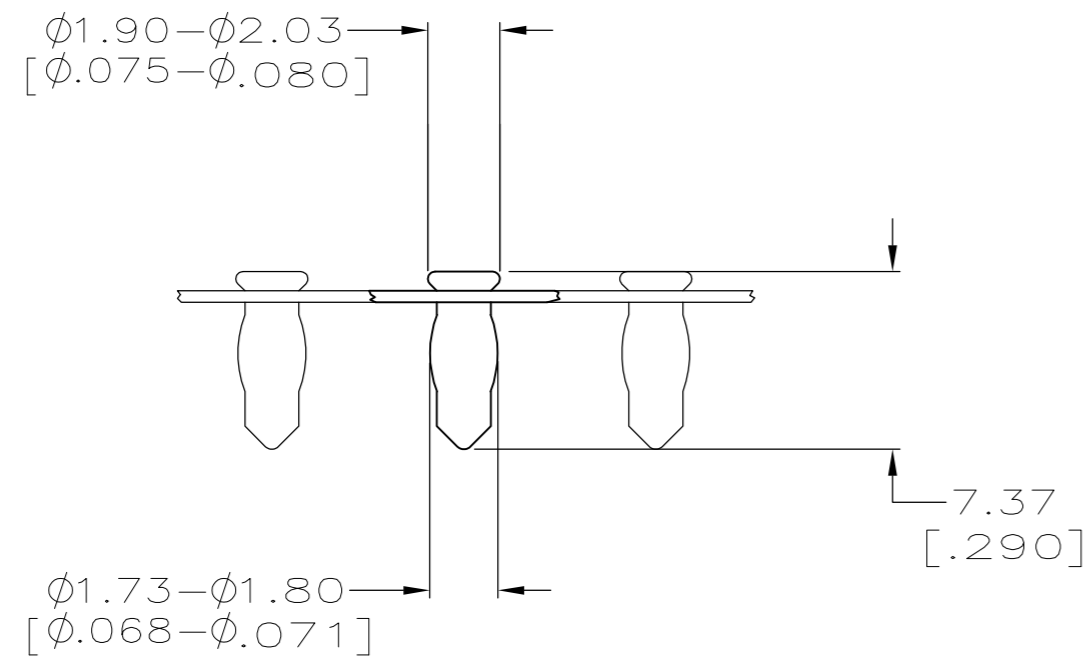
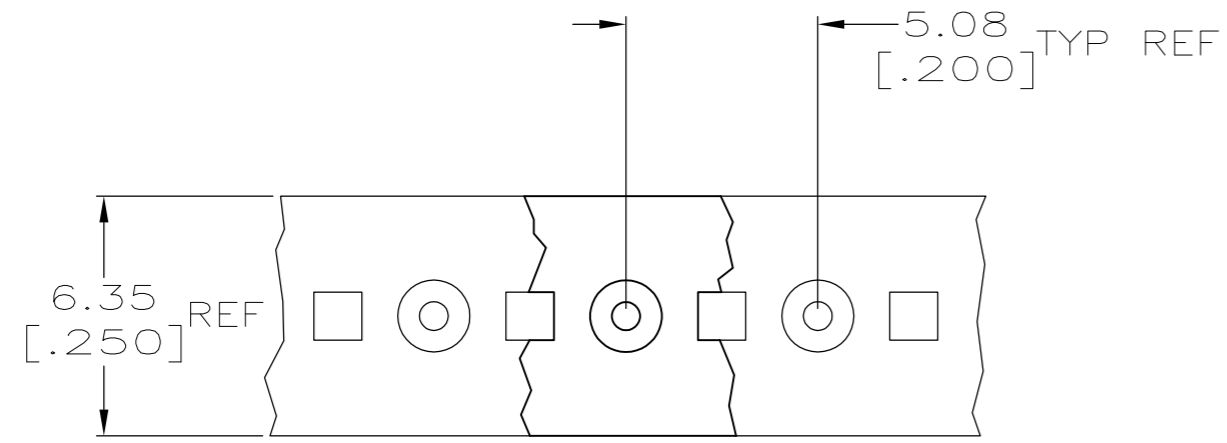
Email & Skype: info@chipsmall.com Web: www.chipsmall.com

Address: A1208, Overseas Decoration Building, #122 Zhenhua RD., Futian, Shenzhen, China



THIS DRAWING IS UNPUBLISHED. RELEASED FOR PUBLICATION
 © COPYRIGHT BY TYCO ELECTRONICS CORPORATION. ALL RIGHTS RESERVED.

LOC		DIST		REVISIONS			
P	LTR	DESCRIPTION		DATE	DWN	APVD	
0		RELEASED.		20JUN2005	JGH	JGH	
01		REVISED PER ECO-09-024606		03NOV09	KK	AEG	



- 1 MATERIAL:
 EYELET - COPPER PER ASTM B 152
 SPRING - BERYLLIUM COPPER PER ASTM B 194
 SEALANT - SILICONE RUBBER
- 2 TIN PLATE PER ASTM B 545 0.00381 [.000150] MIN THK.
- 3 TIN PLATE PER ASTM B 545 0.00254 [.000100] MIN THK.
- 4 GOLD PLATE PER ASTM B 488 0.00076 [.000030] MIN THK ON CONTACT AREA.
- 5 PACKAGED 50,000 PER REEL
- 6 TO INSURE 1/2 OZ MIN RETENTION DO NOT EXCEED 0.10 [.004] DIFFERENCE IN PIN DIA WHEN CHANGING TO A SMALLER DIA PIN
- 7 PRODUCT IS OVALIZED FOR RETENTION IN THE P.C. BOARD. THE RECOMMENDED HOLE DIAMETER IS $\phi 1.57$ [$\phi 0.062$] MINIMUM, +0.08 [.003] MAX. PRIOR TO SOLDERING.
- 8 PACKAGED 10,000 PER REEL
- 9 OBSOLETE PARTS: OBSOLETE CIS STREAMLINING PER D.RENAUD/D.SINISI

	3.76-6.60 [.148-.260]	$\phi 0.71-\phi 0.84$ [$\phi 0.028-\phi 0.033$]	GOLD 4	TIN 2	8 1-5645986-2
	3.76-6.60 [.148-.260]	$\phi 0.71-\phi 0.84$ [$\phi 0.028-\phi 0.033$]	TIN 3	TIN 2	8 1-5645986-1
9 OBSOLETE	3.76-6.60 [.148-.260]	$\phi 0.71-\phi 0.84$ [$\phi 0.028-\phi 0.033$]	GOLD 4	TIN 2	5 5645986-2
	LENGTH	DIA 6	SPRING	EYELET	PART NO.
	PIN		FINISH		

THIS DRAWING IS A CONTROLLED DOCUMENT.		DWN J. HAVENER 20JUN2005	Tyco Electronics Corporation Harrisburg, Pa 17105-3608		
DIMENSIONS: mm [INCHES]		CHK J. HAVENER 20JUN2005	NAME MINIATURE SPRING SOCKET ASSY SERIES 3 WITH SEALANT		
TOLERANCES UNLESS OTHERWISE SPECIFIED:		APVD J. HAVENER 20JUN2005	SIZE A2	CAGE CODE 00779	DRAWING NO C=5645986
0 PLC ± -		PRODUCT SPEC -	RESTRICTED TO -		
1 PLC ± -		APPLICATION SPEC -			
2 PLC ± -		WEIGHT -			
3 PLC ± 0.20[.008]		CUSTOMER DRAWING	SCALE 10:1	SHEET 1 OF 1	REV 01
4 PLC ± -					
ANGLES ± -					
FINISH SEE TABLE					

CUSTOMER DRAWING