



Chipsmall Limited consists of a professional team with an average of over 10 year of expertise in the distribution of electronic components. Based in Hongkong, we have already established firm and mutual-benefit business relationships with customers from,Europe,America and south Asia,supplying obsolete and hard-to-find components to meet their specific needs.

With the principle of “Quality Parts,Customers Priority,Honest Operation,and Considerate Service”,our business mainly focus on the distribution of electronic components. Line cards we deal with include Microchip,ALPS,ROHM,Xilinx,Pulse,ON,Everlight and Freescale. Main products comprise IC,Modules,Potentiometer,IC Socket,Relay,Connector.Our parts cover such applications as commercial,industrial, and automotives areas.

We are looking forward to setting up business relationship with you and hope to provide you with the best service and solution. Let us make a better world for our industry!



Contact us

Tel: +86-755-8981 8866 Fax: +86-755-8427 6832

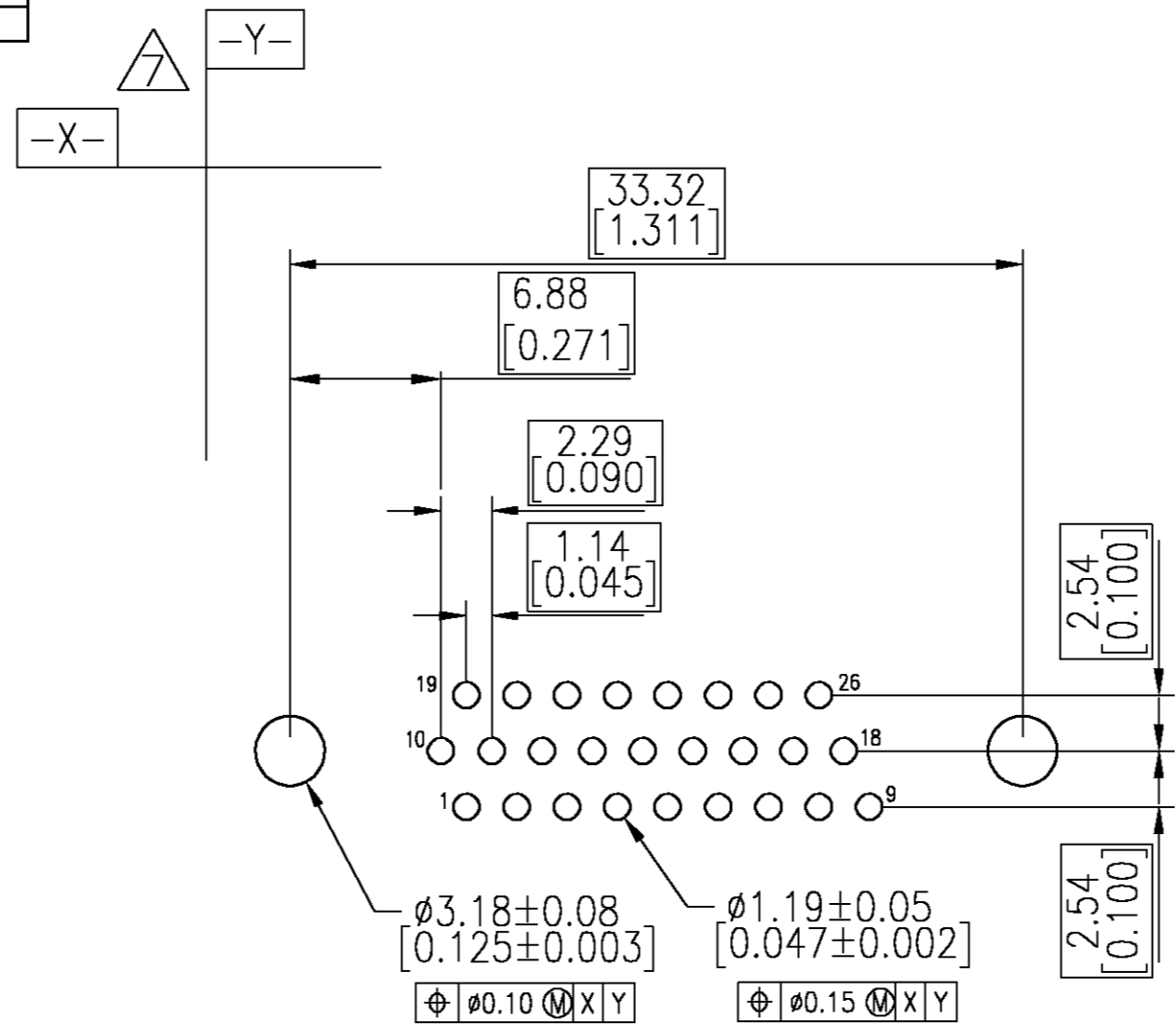
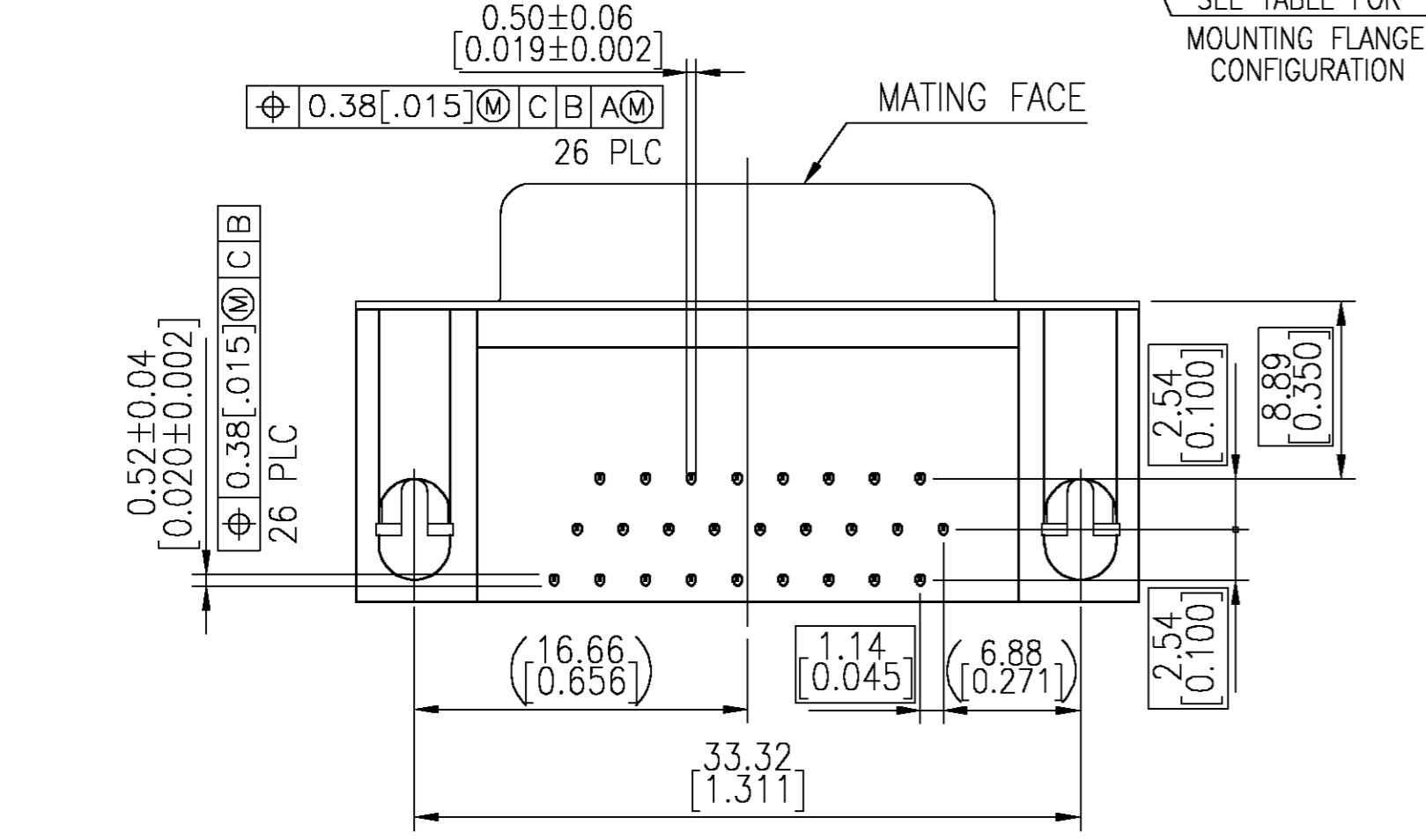
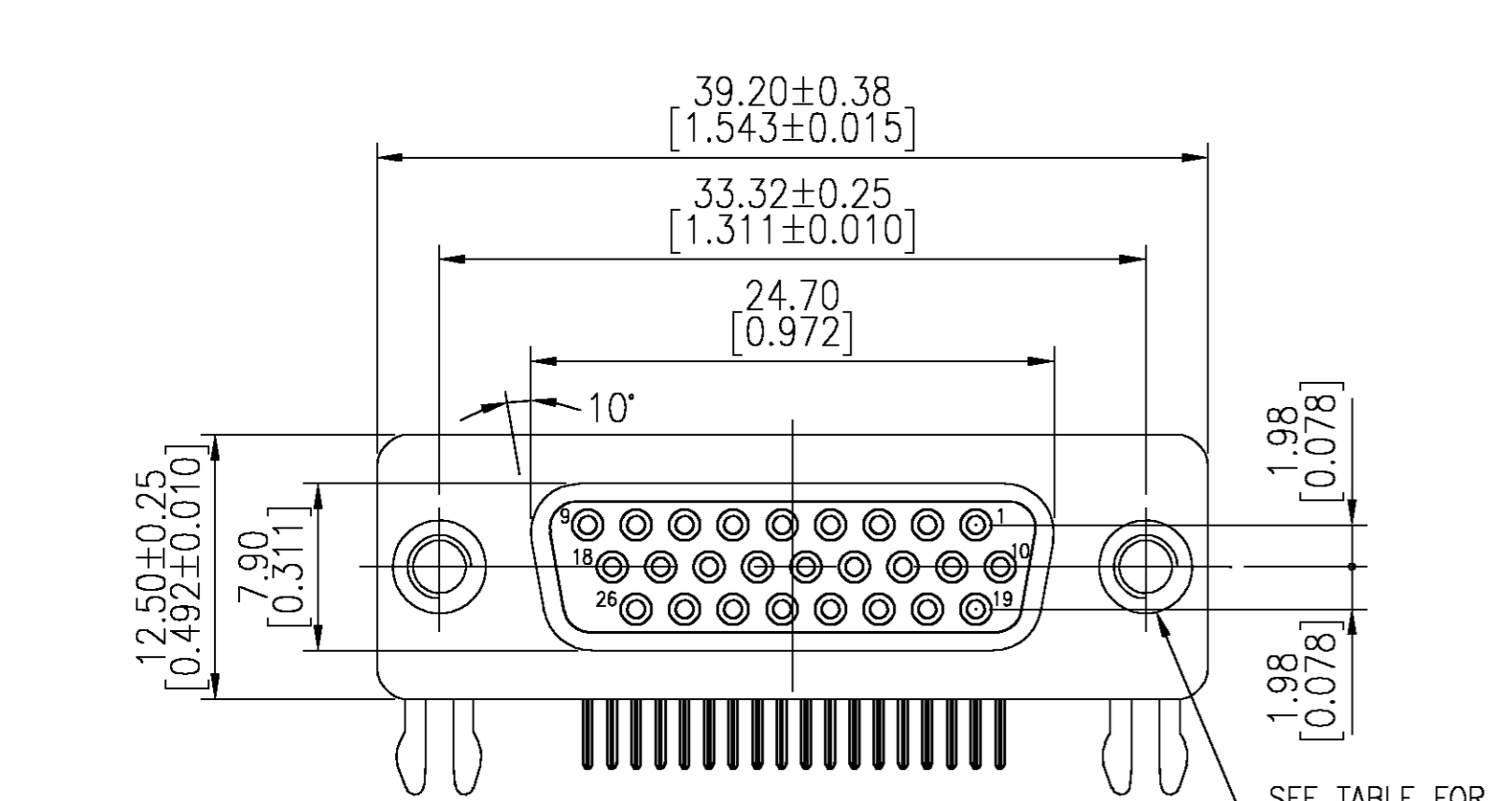
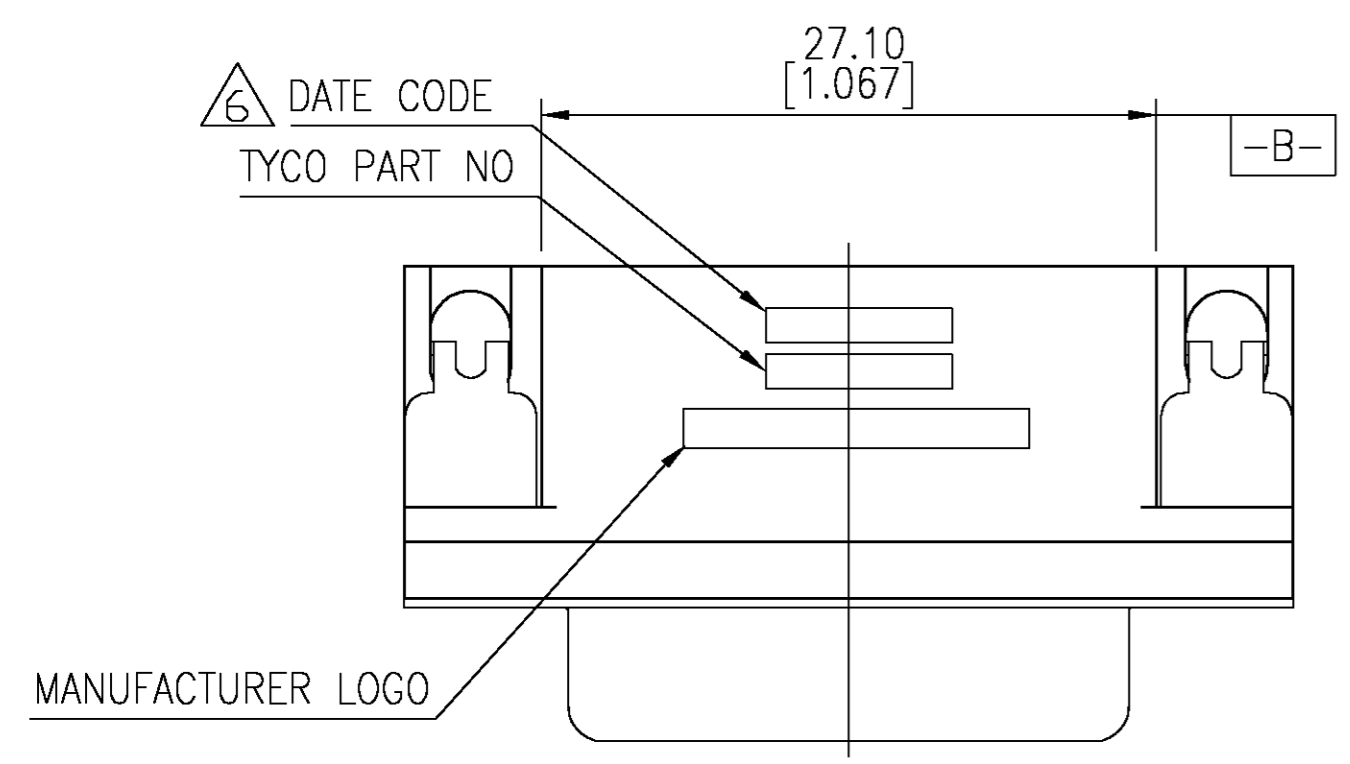
Email & Skype: info@chipsmall.com Web: www.chipsmall.com

Address: A1208, Overseas Decoration Building, #122 Zhenhua RD., Futian, Shenzhen, China

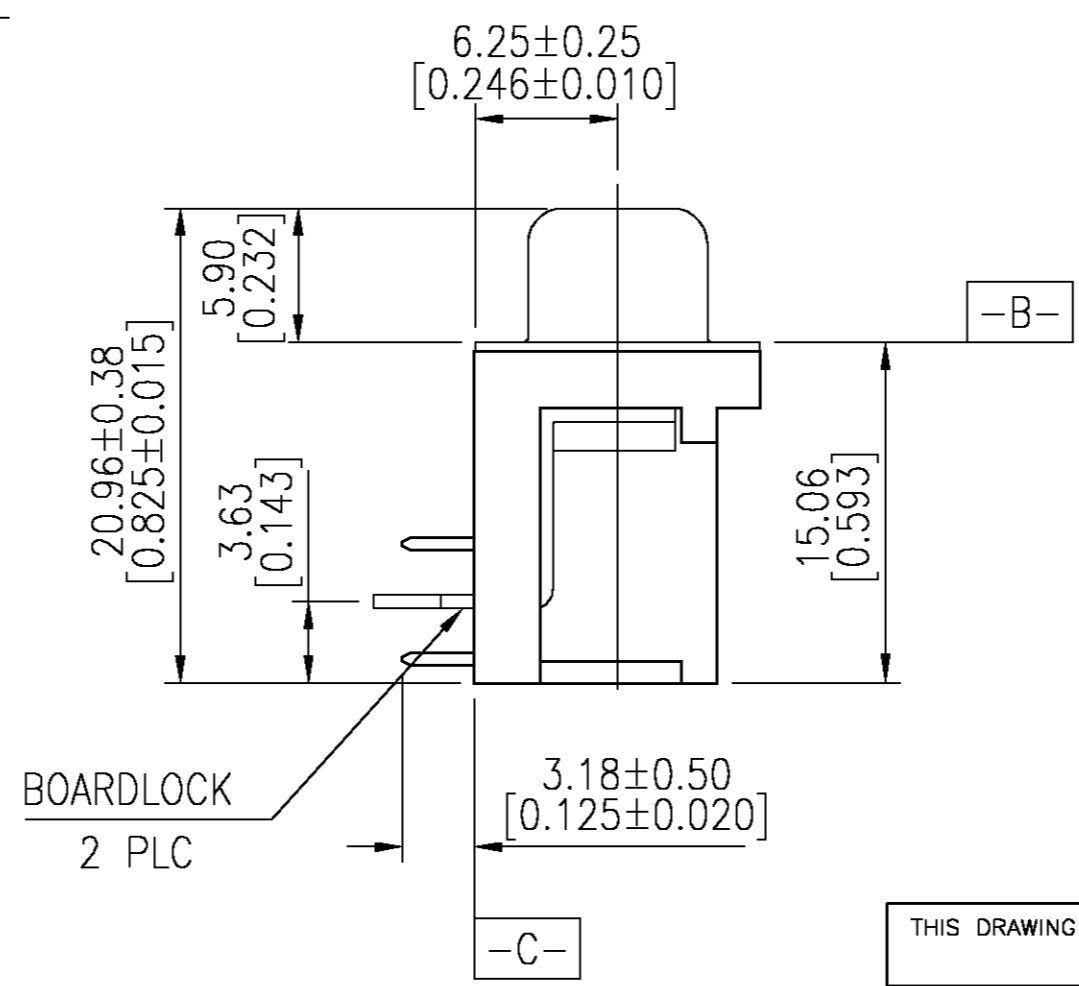
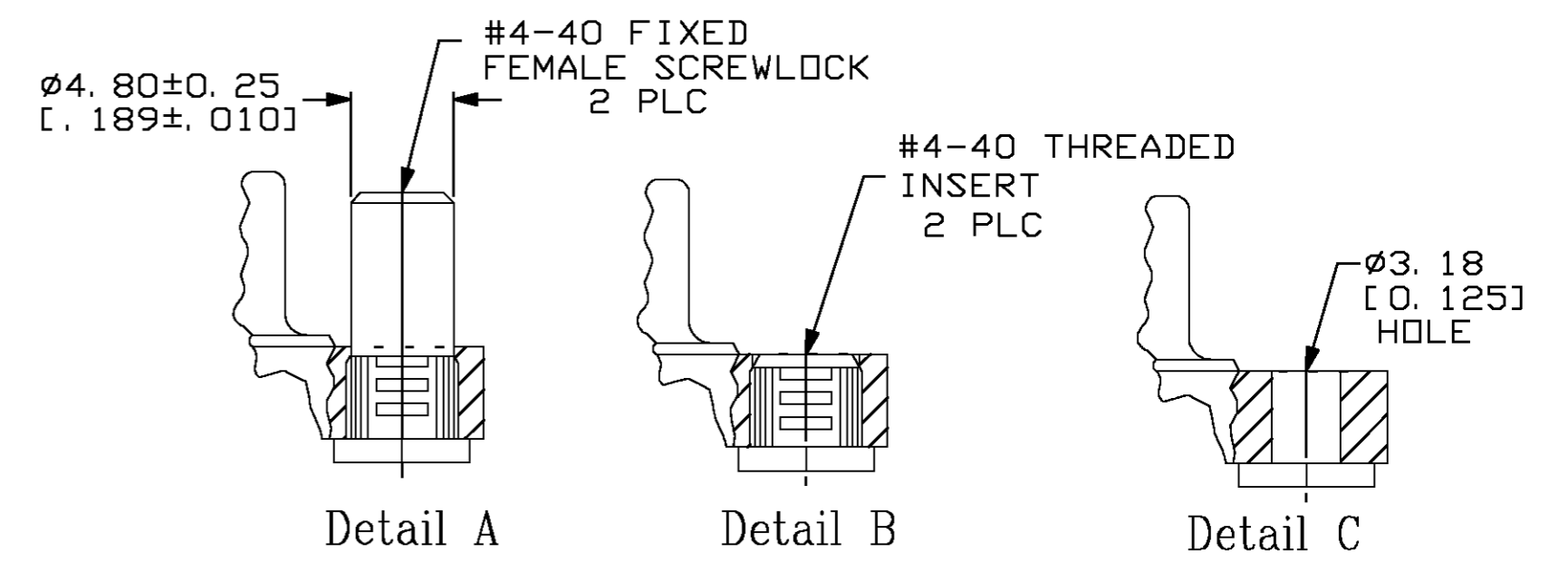


THIS DRAWING IS UNPUBLISHED. RELEASED FOR PUBLICATION
 © COPYRIGHT BY TYCO ELECTRONICS CORPORATION. ALL RIGHTS RESERVED.

LOC		DIST		REVISIONS			
P	LTR	DESCRIPTION	DATE	DWN	APVD		
0		RELEASED PER EC OS13-0056-05	31MAY05	RR	JG		



- HOUSING: PBT, 30% GF POLYESTER, UL 94V-0 RATED, COLOR BLACK.
- CONTACTS: PHOSPHOR BRONZE, GOLD PLATE IN MATING AREA (SEE TABLE), 120µ" MIN TIN PLATE ON SOLDER TAIL, BOTH OVER 50µ" MIN NICKEL UNDERPLATE.
- SHELL: STEEL, NICKEL PLATE.
- BOARDLOCK: BRASS, TIN PLATE 100µ" MIN.
- FEMALE SCREWLOCK: BRASS, NICKEL PLATE 30µ" MIN.
- FOUR DIGIT DATE CODE IN THIS FORMAT.
 01 45
 YEAR ———— MANUFACTURING WEEK
- DATUMS -X- & -Y- TO BE ESTABLISHED BY CUSTOMER.



Tray	Detail	Contact Mating Area Finish	Part No
Tray	Detail C	Gold flash	2-5748481-7
Tray	Detail C	15 µ" MIN GOLD	2-5748481-6
Tray	Detail A	Gold flash	2-5748481-5
Tray	Detail A	15 µ" MIN GOLD	2-5748481-4
Tray	Detail B	Gold flash	2-5748481-3
Tray	Detail B	15 µ" MIN GOLD	2-5748481-2
Tray	Detail C	30 µ" MIN GOLD	1-5748481-9
Tray	Detail A	30 µ" MIN GOLD	5748481-6
Tray	Detail B	30 µ" MIN GOLD	5748481-5
Packaging	Mounting Flange	Contact Mating Area Finish	Part No

THIS DRAWING IS A CONTROLLED DOCUMENT.

DWN	R.RICHARDSON	31MAY05	Tyco Electronics Corporation Harrisburg, Pa 17105-3608
CHK	S.BOLASH	31MAY05	
APVD	M.WALMSLEY	31MAY05	
PRODUCT SPEC			
APPLICATION SPEC			NAME
MATERIAL			AMPLIMITE HD-22
FINISH			26 POS RECEPTACLE, RIGHT ANGLE
WEIGHT			SIZE
CUSTOMER DRAWING			CAGE CODE
SCALE			DRAWING NO
1:1			A2 00779 C=5748481
SHEET			RESTRICTED TO
1 OF 1			-
REV			
0			