



Chipsmall Limited consists of a professional team with an average of over 10 year of expertise in the distribution of electronic components. Based in Hongkong, we have already established firm and mutual-benefit business relationships with customers from,Europe,America and south Asia,supplying obsolete and hard-to-find components to meet their specific needs.

With the principle of “Quality Parts,Customers Priority,Honest Operation,and Considerate Service”,our business mainly focus on the distribution of electronic components. Line cards we deal with include Microchip,ALPS,ROHM,Xilinx,Pulse,ON,Everlight and Freescale. Main products comprise IC,Modules,Potentiometer,IC Socket,Relay,Connector.Our parts cover such applications as commercial,industrial, and automotives areas.

We are looking forward to setting up business relationship with you and hope to provide you with the best service and solution. Let us make a better world for our industry!



## Contact us

Tel: +86-755-8981 8866 Fax: +86-755-8427 6832

Email & Skype: info@chipsmall.com Web: www.chipsmall.com

Address: A1208, Overseas Decoration Building, #122 Zhenhua RD., Futian, Shenzhen, China



5

4

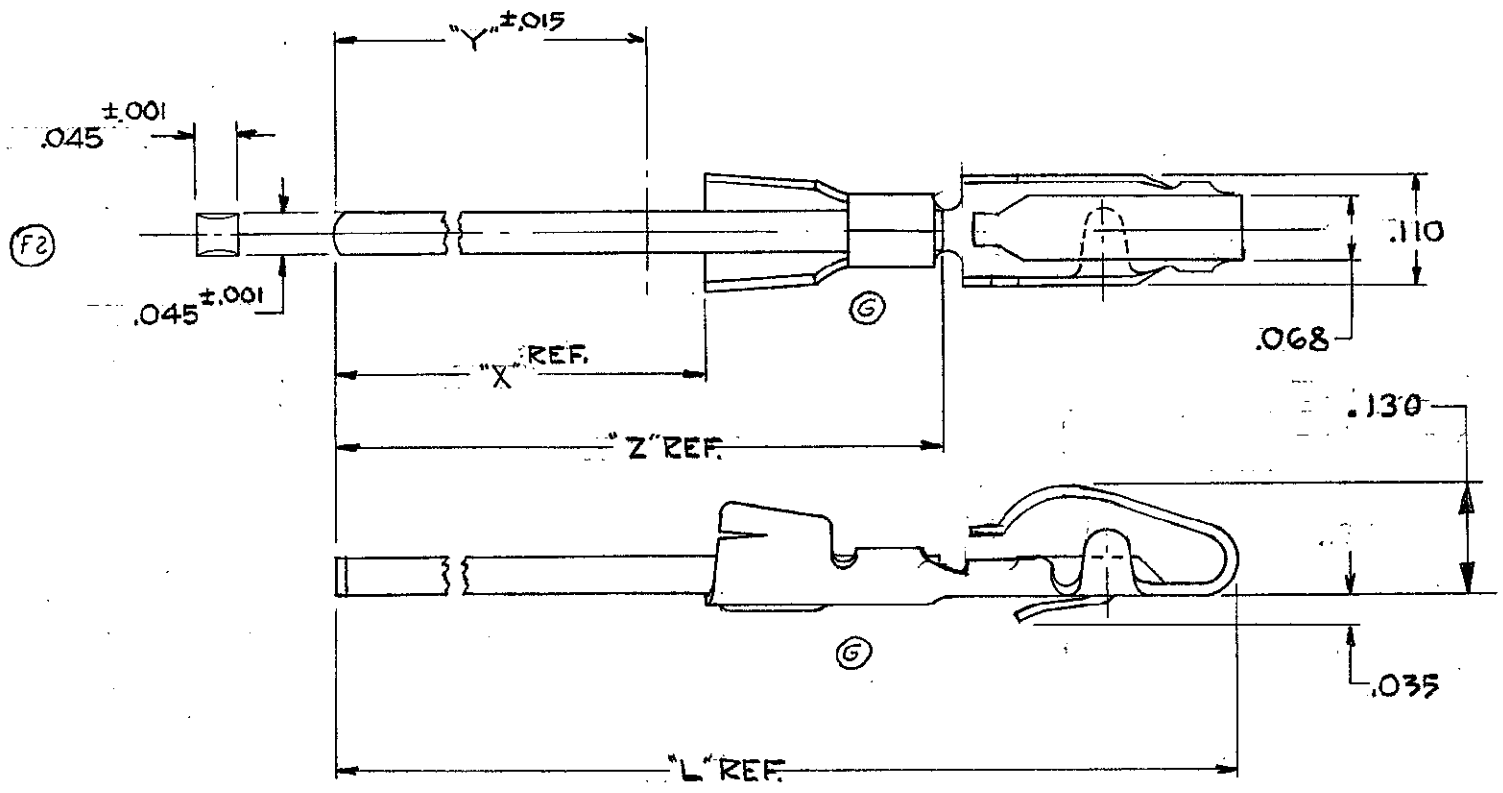
2

1

©1962 BY AMP INCORPORATED. ALL RIGHTS RESERVED. AMP PRODUCTS COVERED BY PATENTS AND/OR PATENTS PENDING.

NUMBER 582355

REVISIONS				
ZONE	LTR	DESCRIPTION	DATE	APPROVED
	P	REV PER 0010-1582-95	1-30-97	P.O.
	R	REV PER EC. 0310-148-96	20 JUN 97	DG
	S	OBS-16 & -17 PER EC. 0652-67-98	11 SEP 98	CR



	PART NO	"X"	"Y" WRAP LENGTH	"Z"	"L"
OBSOLETE	582355-1	1.062	1.000	1.332	1.662
OBSOLETE	582355-2	.862	.800	1.132	1.462
OBSOLETE	582355-3	.662	.600	.932	1.262
OBSOLETE	582355-4	.462	.400	.732	1.062

UNLESS OTHERWISE SPECIFIED DIM. ARE IN INCHES. TOLERANCES ON: DECIMALS  $\pm .005$  ANGLES  $\pm$

MATERIAL RECD: PHOS. BRONZE .00003 GOLD

WIRE: TIN.

CONTRACT NO. DR D. Baur 5-18-66

CHKD J.S. Heide 5/25/66

APPD J. Kaufman 5/31/66

DSGN APPD

OTHER APPD R. Halley 5/31/66

**AMP** AMP INCORPORATED HARRISBURG, PENNSYLVANIA

NAME AMP LEAF POST TYPE ASSEMBLY

SIZE B CODE IDENT NO. 00779 NUMBER 582355

SCALE 5:1 WT CALC ACTUAL SHEET 1 OF 2

AMP INFO

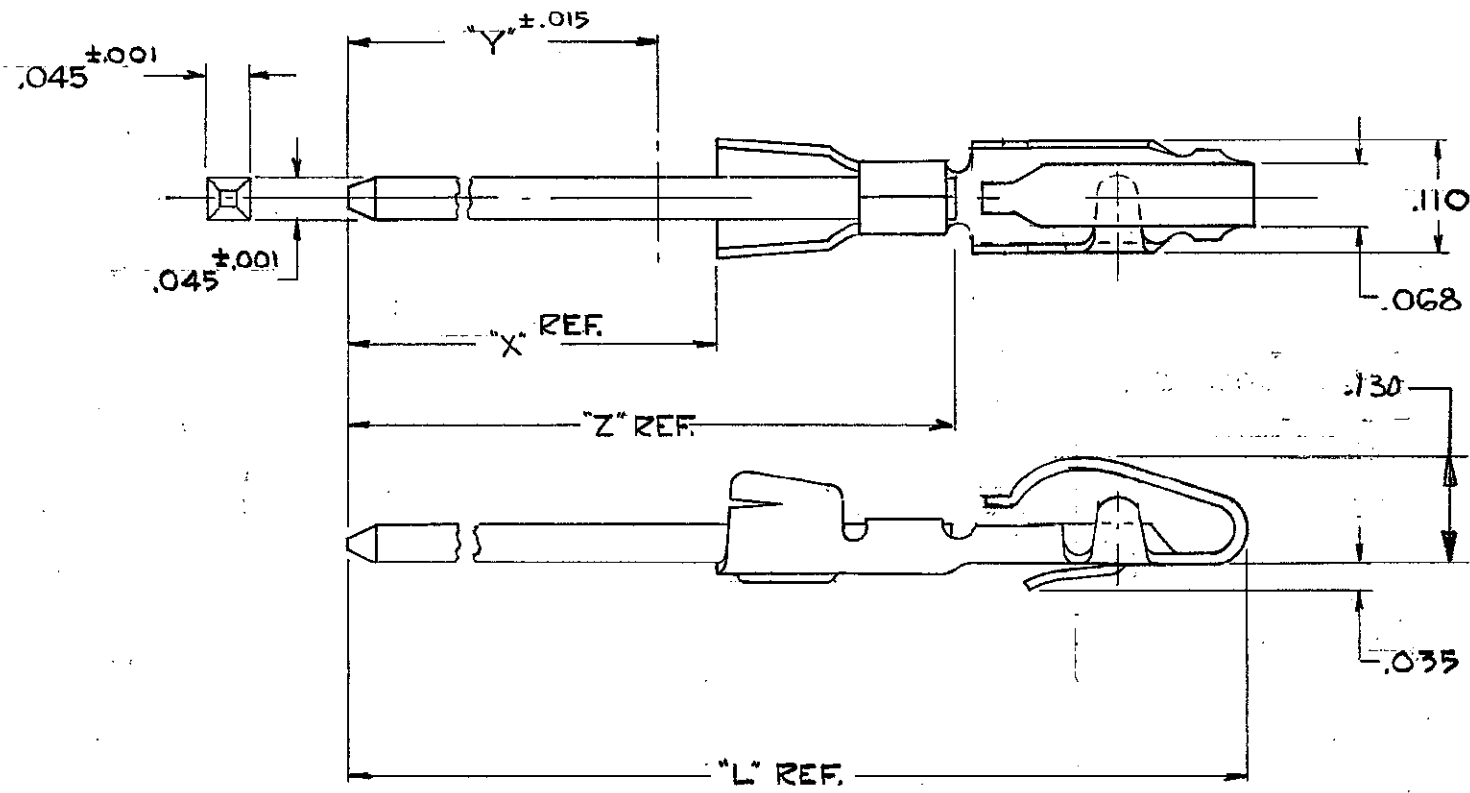
LOC PRINT DSGN HEAT TREAT FINISH

AD 00 H SEE "MATL."

©1962 BY AMP INCORPORATED. ALL RIGHTS RESERVED. AMP PRODUCTS COVERED BY PATENTS AND/OR PATENTS PENDING.

ZONE		LTR	REVISIONS	DESCRIPTION	DATE	APPROVED
1.5			SEE SHEET 1			

NUMBER 582355



PART NO	"X"	"Y" WRAP LENGTH	"Z"	"L"	RECEPTACLE FINISH
582355-5	1.062	1.000	1.332	1.662	
582355-6	.862	.800	1.132	1.462	1
582355-7	.662	.600	.932	1.262	
582355-8	.462	.400	.732	1.062	
<del>582355-9</del>	<del>1.062</del>	<del>1.000</del>	<del>1.332</del>	<del>1.662</del>	
<del>1-582355-0</del>	<del>.862</del>	<del>.800</del>	<del>1.132</del>	<del>1.462</del>	2
<del>1-582355-1</del>	<del>.662</del>	<del>.600</del>	<del>.932</del>	<del>1.262</del>	
<del>1-582355-2</del>	<del>.462</del>	<del>.400</del>	<del>.732</del>	<del>1.062</del>	
<del>1-582355-3</del>	<del>1.062</del>	<del>1.000</del>	<del>1.332</del>	<del>1.662</del>	
<del>1-582355-4</del>	<del>.862</del>	<del>.800</del>	<del>1.132</del>	<del>1.462</del>	3
<del>1-582355-5</del>	<del>.662</del>	<del>.600</del>	<del>.932</del>	<del>1.262</del>	
<del>1-582355-6</del>	<del>.462</del>	<del>.400</del>	<del>.732</del>	<del>1.062</del>	
<del>1-582355-7</del>	<del>.862</del>	<del>.800</del>	<del>1.132</del>	<del>1.462</del>	4
<del>1-582355-8</del>	<del>.662</del>	<del>.600</del>	<del>.932</del>	<del>1.262</del>	
<del>1-582355-9</del>	<del>.862</del>	<del>.800</del>	<del>1.132</del>	<del>1.462</del>	PLAIN
2-582355-0	.275	.213	.545	.875	4

- 1 .000015 GOLD.
- 2 .000015 SELECTIVE GOLD PLATE CONTACT AREA OVER GOLDFLASH ENTIRE CONTACT.
- 3 .000015 SELECTIVE GOLD PLATE CONTACT AREA OVER NICKEL ENTIRE CONTACT.
- 4 .000030 SELECTIVE GOLD PLATE CONTACT AREA OVER GOLD FLASH ENTIRE CONTACT.

UNLESS OTHERWISE SPECIFIED DIM. ARE IN INCHES. TOLERANCES ON: DECIMALS $\pm .005$ ANGLES $\pm \#$	CONTRACT NO.	AMP INCORPORATED HARRISBURG, PENNSYLVANIA
	DR D. Bar 9-18-66	
MATERIAL RECP. PHOS. BRONZE FINISH AS ABOVE	CHK J.S. Heide 5/25/66	NAME AMP LEAF POST TYPE ASSEMBLY
WIRE: PHOS. BRONZE TIN.	APPD J. Kaufman 5/2/66	
AMP INFO	OTHER APPD H. Holliday 5/31/66	SIZE B CODE IDENT NO. 00779 NUMBER 582355
LOC AD PRINT DIST 100	HEAT TREAT H	SCALE 5:1 WT CALC ACTUAL SHEET 2 OF 2
	FINISH SEE "MATL."	