



Chipsmall Limited consists of a professional team with an average of over 10 year of expertise in the distribution of electronic components. Based in Hongkong, we have already established firm and mutual-benefit business relationships with customers from,Europe,America and south Asia,supplying obsolete and hard-to-find components to meet their specific needs.

With the principle of “Quality Parts,Customers Priority,Honest Operation,and Considerate Service”,our business mainly focus on the distribution of electronic components. Line cards we deal with include Microchip,ALPS,ROHM,Xilinx,Pulse,ON,Everlight and Freescale. Main products comprise IC,Modules,Potentiometer,IC Socket,Relay,Connector.Our parts cover such applications as commercial,industrial, and automotives areas.

We are looking forward to setting up business relationship with you and hope to provide you with the best service and solution. Let us make a better world for our industry!



## Contact us

Tel: +86-755-8981 8866 Fax: +86-755-8427 6832

Email & Skype: info@chipsmall.com Web: www.chipsmall.com

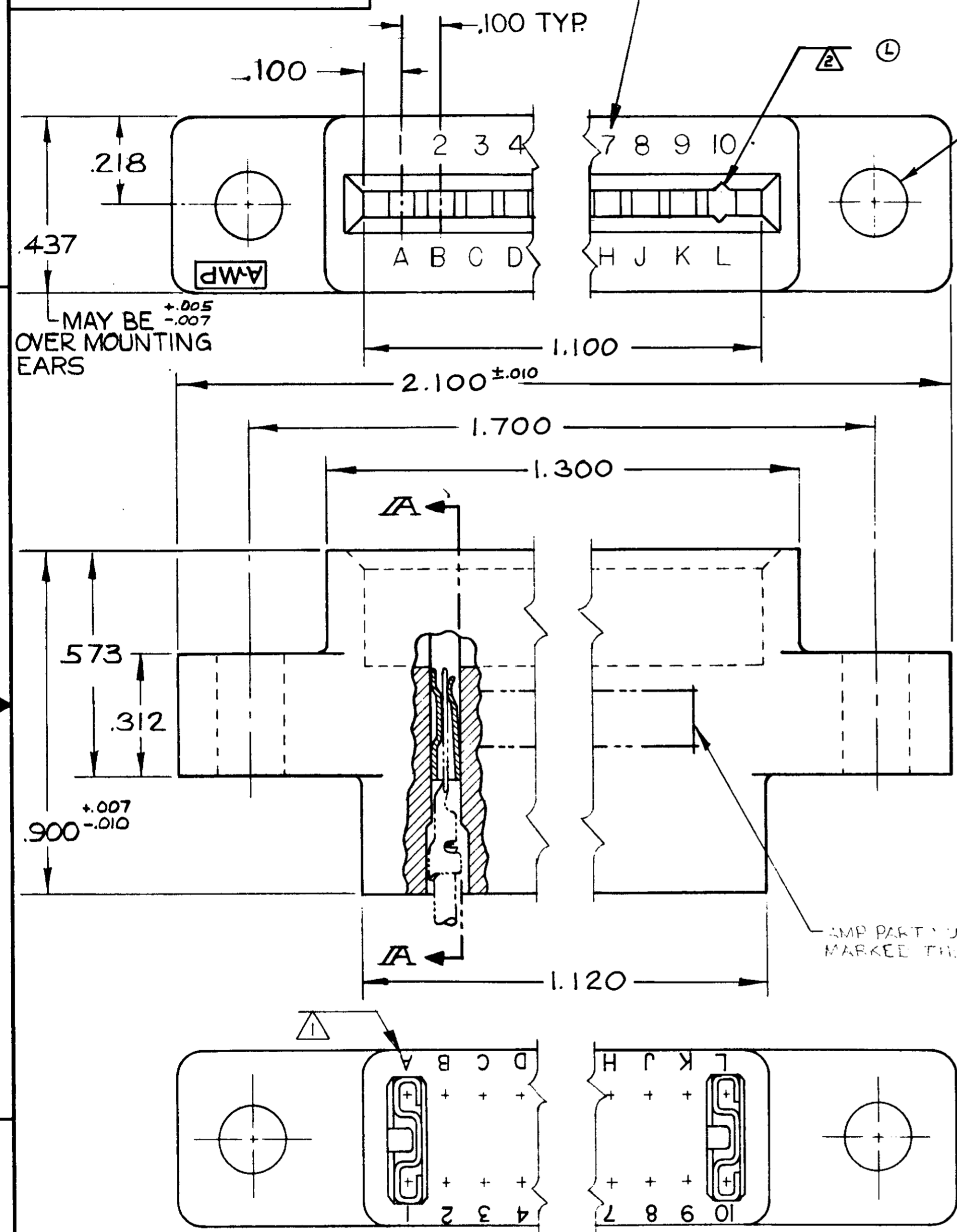
Address: A1208, Overseas Decoration Building, #122 Zhenhua RD., Futian, Shenzhen, China



© 1963 BY AMP INCORPORATED. ALL RIGHTS RESERVED. AMP PRODUCTS COVERED BY PATENTS AND/OR PATENTS PENDING. APPROVED PER GOVT CONTRACT NO.

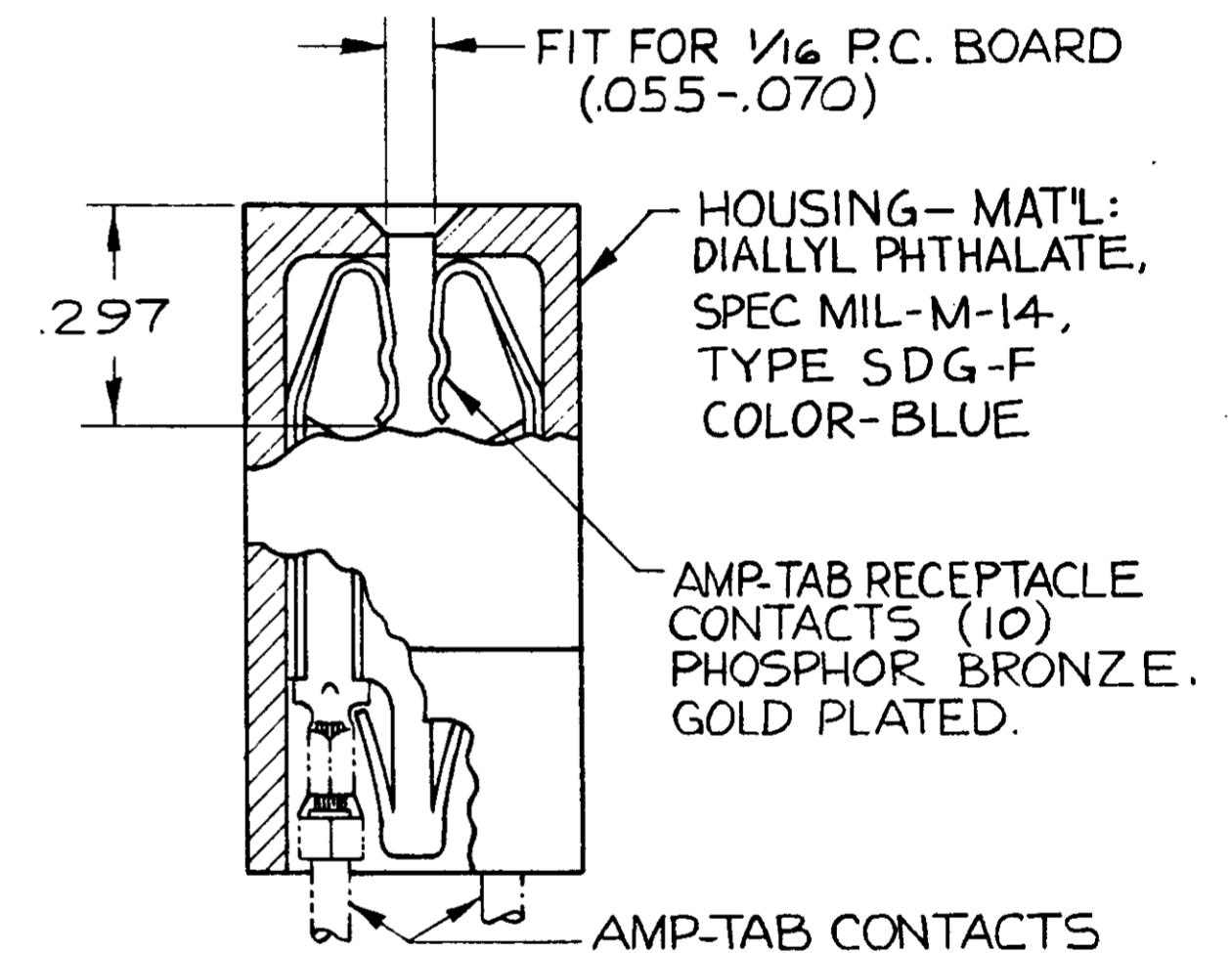
REVISIONS				
ZONE	LTR	DESCRIPTION	DATE	APPROVED
✓	P	REVISED PER 0600-3683-95 TA	10-95	/WARNER

CAVITY IDENTIFICATION ON P/N (1)-582551-1 ONLY.



obs. 582551-2 1. SAME AS -1 EXCEPT. 2. "J" DIA. HOLES = .128

(1)-582551-1 1. SAME AS -1 EXCEPT TO HAVE CAVITY IDENTIFICATION ON TOP SURFACE OF HOUSING.



SECTION A-A

NOTE:  
 1. UPPER CASE LETTERS, OMIT LETTERS G, I, O & Q. CIRCUIT CAVITY IDENTIFICATION MARKING PER MIL-C-21097.  
 2. GROOVES FOR "ON CONTACT KEYING" AMP'S OPTION DEPENDING ON METHOD OF MANUFACTURE. FOR "ON CONTACT" KEYING USE KEYING PLUG P/N 583487-1 (MUST BE ORDERED SEPARATELY).

AMP INFO  
 LOC PRINT/DIST  
 DF FO

UNLESS OTHERWISE SPECIFIED DIMENSIONS ARE IN INCHES TOLERANCES ON FRACTIONS DECIMALS ANGLES ± .005 ± .005 ± .005	CONTRACT NO.	AMP INCORPORATED HARRISBURG, PENNSYLVANIA	
	DR. <i>J. A. ...</i>	DATE 6-7-67	AMP TRADEMARK
	CHK. <i>S. H. ...</i>	DATE 11/1/67	
	MATERIAL	DESIGN ENGR.	DATE
SEE CALLOUT	APPD. <i>[Signature]</i>	DATE	10 POSITION AMP-TAB CONNECTOR .100 CENTERS DUAL
HEAT TREAT	DESIGN APPD.	DATE	SIZE C
FINISH	OTHER APPD.	DATE	CODE IDENT NO. 00779
SEE CALLOUT			NUMBER 582551
			SCALE 4-1
			WT. CALL. ACTUAL SHEET

NUMBER CUS. 582551