



Chipsmall Limited consists of a professional team with an average of over 10 year of expertise in the distribution of electronic components. Based in Hongkong, we have already established firm and mutual-benefit business relationships with customers from,Europe,America and south Asia,supplying obsolete and hard-to-find components to meet their specific needs.

With the principle of “Quality Parts,Customers Priority,Honest Operation,and Considerate Service”,our business mainly focus on the distribution of electronic components. Line cards we deal with include Microchip,ALPS,ROHM,Xilinx,Pulse,ON,Everlight and Freescale. Main products comprise IC,Modules,Potentiometer,IC Socket,Relay,Connector.Our parts cover such applications as commercial,industrial, and automotives areas.

We are looking forward to setting up business relationship with you and hope to provide you with the best service and solution. Let us make a better world for our industry!



Contact us

Tel: +86-755-8981 8866 Fax: +86-755-8427 6832

Email & Skype: info@chipsmall.com Web: www.chipsmall.com

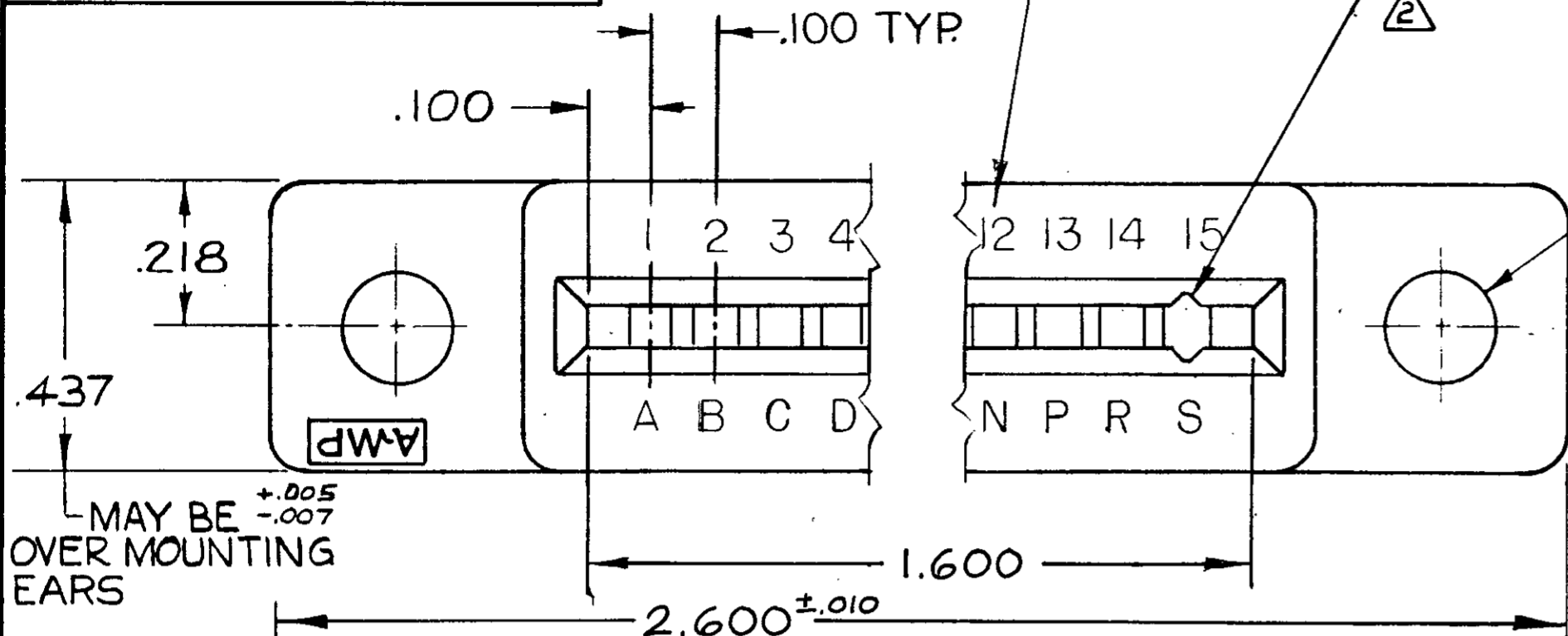
Address: A1208, Overseas Decoration Building, #122 Zhenhua RD., Futian, Shenzhen, China



© 1963 BY AMP INCORPORATED. ALL RIGHTS RESERVED. AMP PRODUCTS COVERED BY PATENTS AND/OR PATENTS PENDING. APPROVED PER GOVT CONTRACT NO.

CAVITY IDENTIFICATION ON P/N (1)-582553-1 ONLY.

REVISIONS				
ZONE	LTR	DESCRIPTION	DATE	APPROVED
✓	S	REVISED PER 0600-3683-95 TA	10-95	WARNER
	T	ECO-08-020973	.PY 11-08	JW



"J" DIA. (2) HOLES

~~085-582553-2~~ 1. SAME AS -1 EXCEPT.
-2 "J" DIA. HOLES = .128

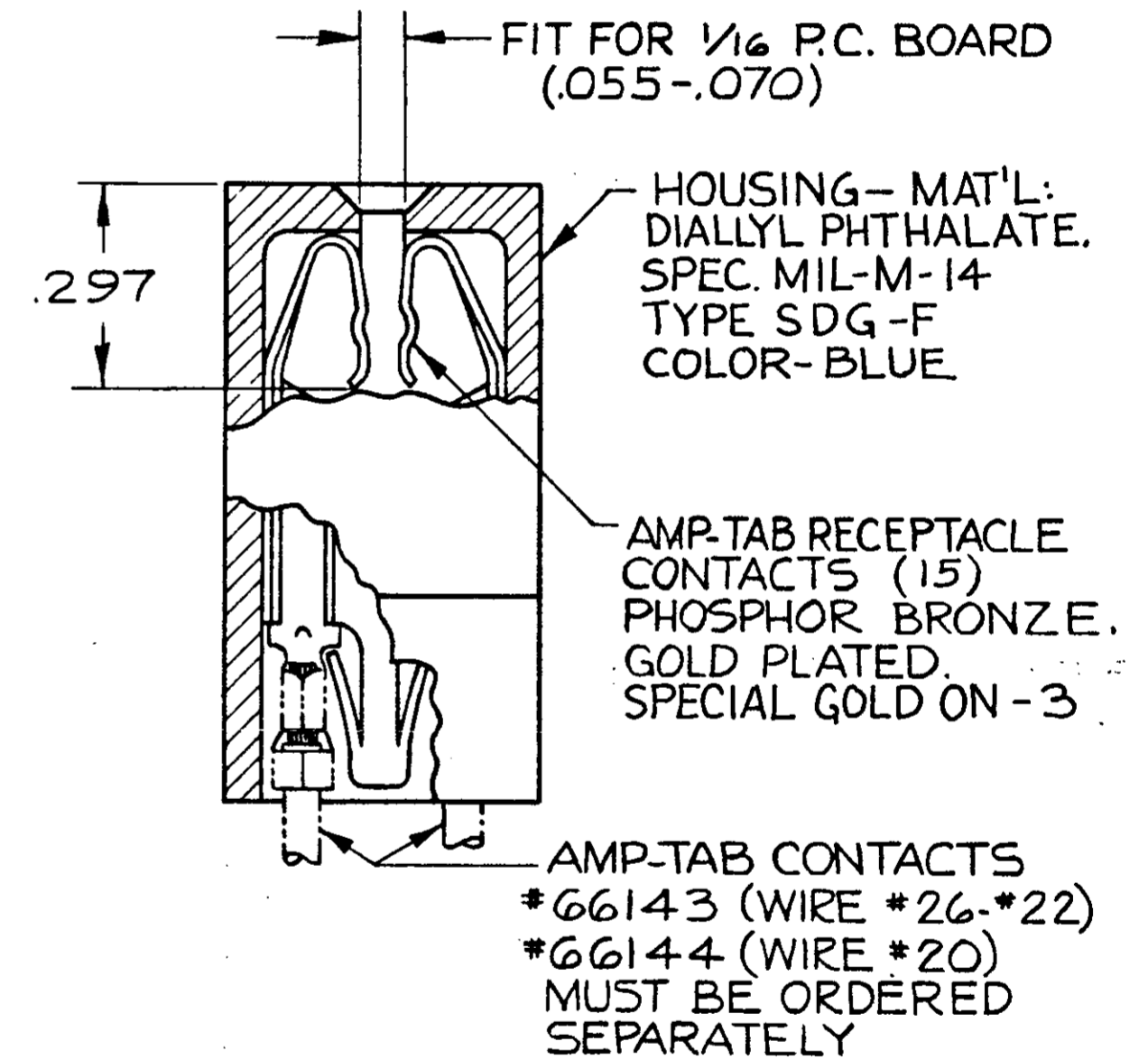
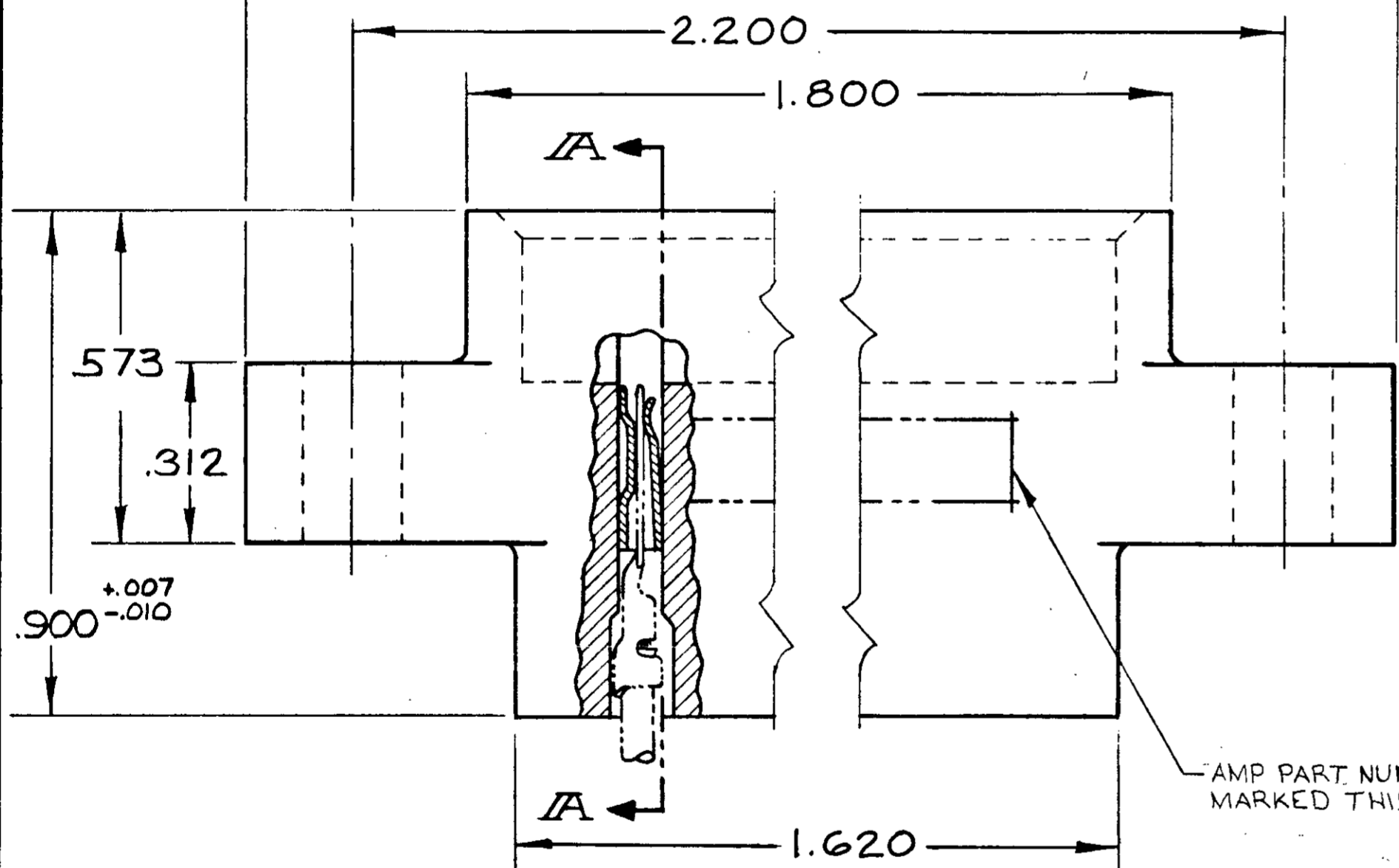
~~582553-1~~ 1. "J" DIA. HOLES = .156

(1)-582553-1 1. SAME AS -1 EXCEPT TO HAVE CAVITY IDENTIFICATION ON TOP SURFACE OF HOUSING.

OBSOLETE

~~(1)-582553-2~~ 1. SAME AS -2 EXCEPT TO HAVE CAVITY IDENTIFICATION ON TOP SURFACE OF HOUSING

MAY BE OVER MOUNTING EARS



SECTION A-A

NOTE:
 1. UPPER CASE LETTERS, OMIT LETTERS G, I, O, & Q. CIRCUIT CAVITY IDENTIFICATION MARKING PER MIL-C-21097.
 2. GROOVES FOR "ON CONTACT KEYING" AMP'S OPTION DEPENDING ON METHOD OF MANUFACTURE FOR "ON CONTACT" KEYING USE KEYING PLUG P/N 583487-1. (MUST BE ORDERED SEPARATELY)

3. LASER MARKING ACCEPTABLE FOR ALL MARKING

UNLESS OTHERWISE SPECIFIED DIMENSIONS ARE IN INCHES TOLERANCES ON FRACTIONS DECIMALS ANGLES ± # ± .005 ± #		CONTRACT NO.		AMP INCORPORATED HARRISBURG, PENNSYLVANIA	
DR. <i>J. Asish</i>		DATE 6-7-67		NAME	
CHK. <i>J.S. Heide</i>		DATE 8/9/67		15 POSITION AMP-TAB CONNECTOR .100 CENTERS DUAL	
MATERIAL		DSGN ENGR		SIZE	
SEE CALLOUT		APPD. <i>J. Kaufman</i>		CODE IDENT NO	
HEAT TREAT		DATE 8/21/67		NUMBER	
FINISH		DSGN APPD. <i>R. Sheuman</i>		582553	
SEE CALLOUT		OTHER APPD.		REV T	
SCALE 4 - 1		WT		CALC	
		ACTUAL		SHEET	

NUMBER CUS. 582553