



Chipsmall Limited consists of a professional team with an average of over 10 year of expertise in the distribution of electronic components. Based in Hongkong, we have already established firm and mutual-benefit business relationships with customers from,Europe,America and south Asia,supplying obsolete and hard-to-find components to meet their specific needs.

With the principle of “Quality Parts,Customers Priority,Honest Operation,and Considerate Service”,our business mainly focus on the distribution of electronic components. Line cards we deal with include Microchip,ALPS,ROHM,Xilinx,Pulse,ON,Everlight and Freescale. Main products comprise IC,Modules,Potentiometer,IC Socket,Relay,Connector.Our parts cover such applications as commercial,industrial, and automotives areas.

We are looking forward to setting up business relationship with you and hope to provide you with the best service and solution. Let us make a better world for our industry!



## Contact us

Tel: +86-755-8981 8866 Fax: +86-755-8427 6832

Email & Skype: info@chipsmall.com Web: www.chipsmall.com

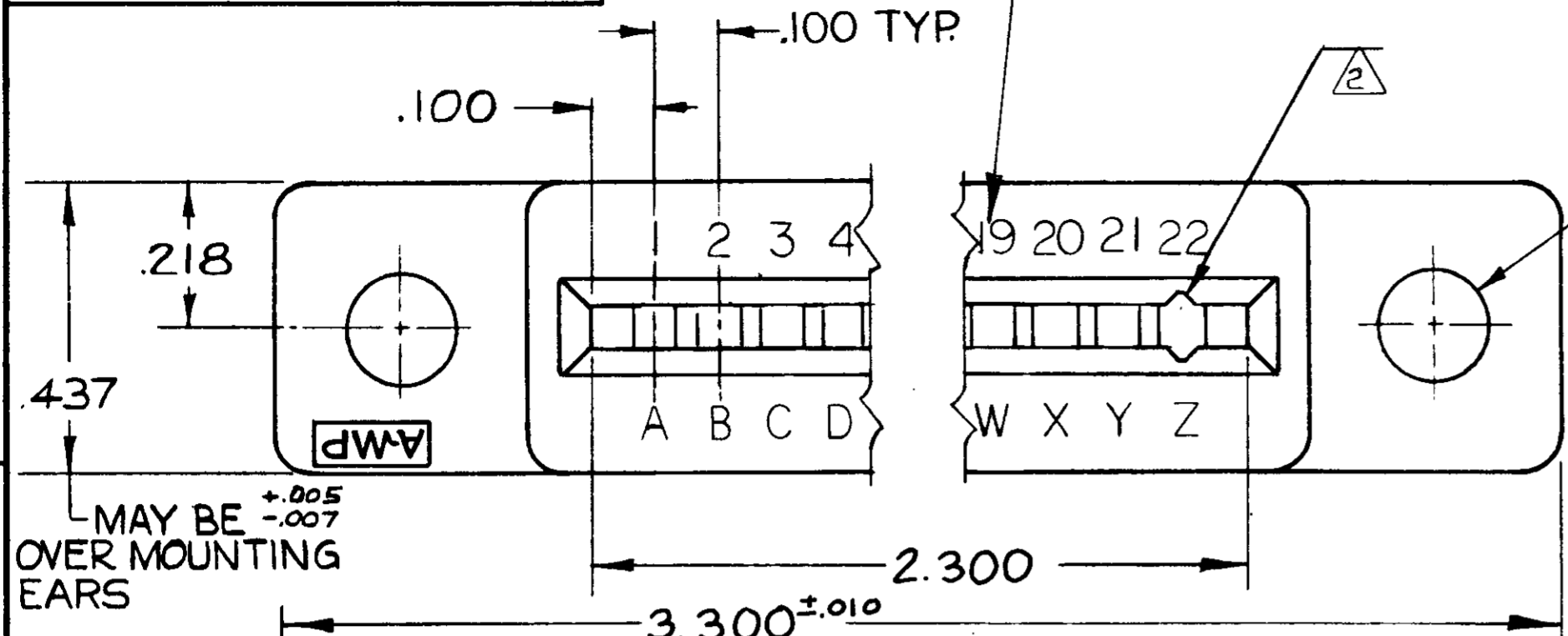
Address: A1208, Overseas Decoration Building, #122 Zhenhua RD., Futian, Shenzhen, China



© 1963 BY AMP INCORPORATED. ALL RIGHTS RESERVED. AMP PRODUCTS COVERED BY PATENTS AND/OR PATENTS PENDING. APPROVED PER GOVT CONTRACT NO.

REVISIONS				
ZONE	LTR	DESCRIPTION	DATE	APPROVED
	R	REVISED PER 0600-3683-95 TA	10-75	J. WARNER
	S	ECO-08-020973	PY 11-08	JW

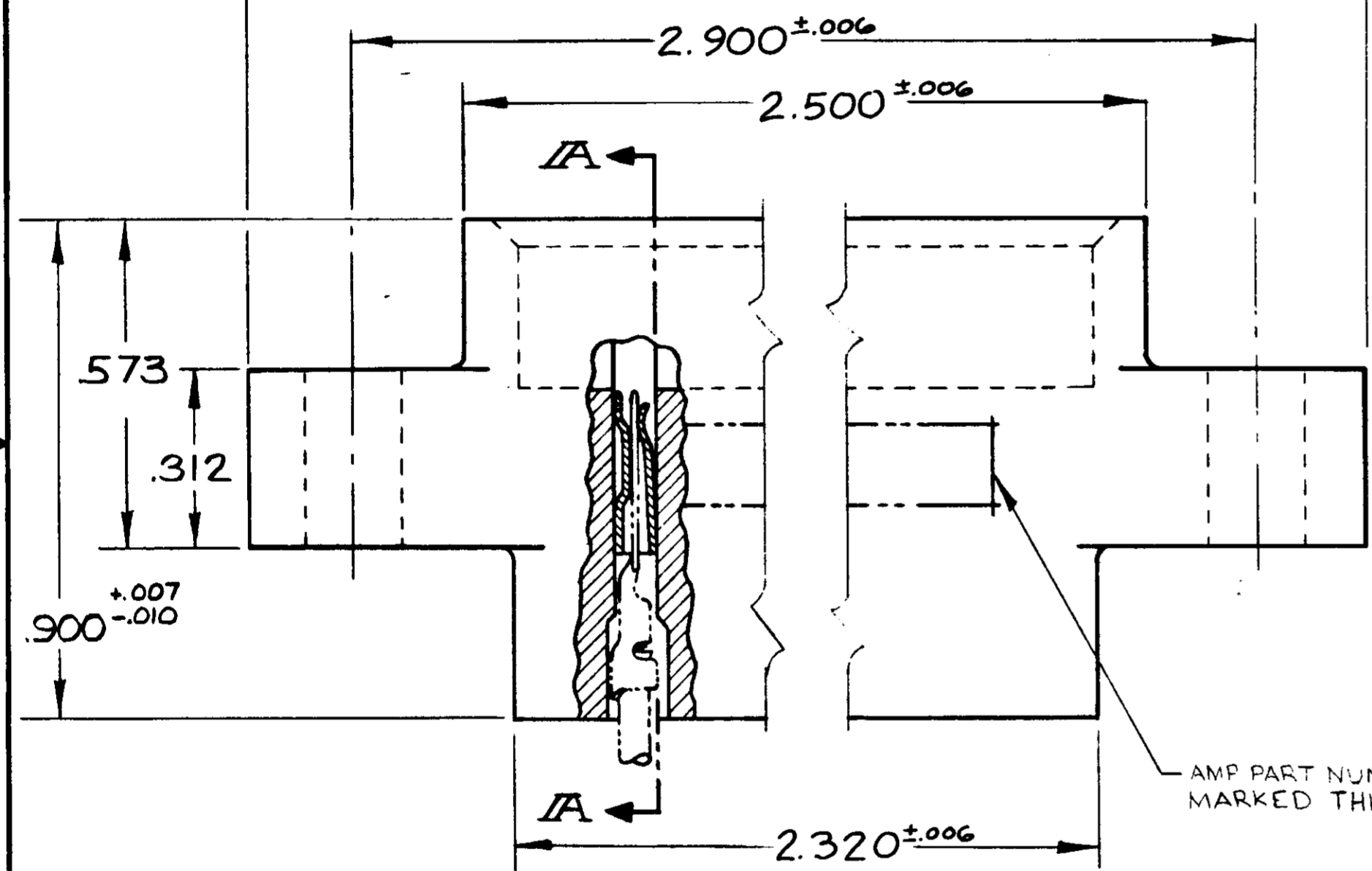
CAVITY IDENTIFICATION ON P/N'S (1)-582557-1 AND (1)-582557-2 ONLY.



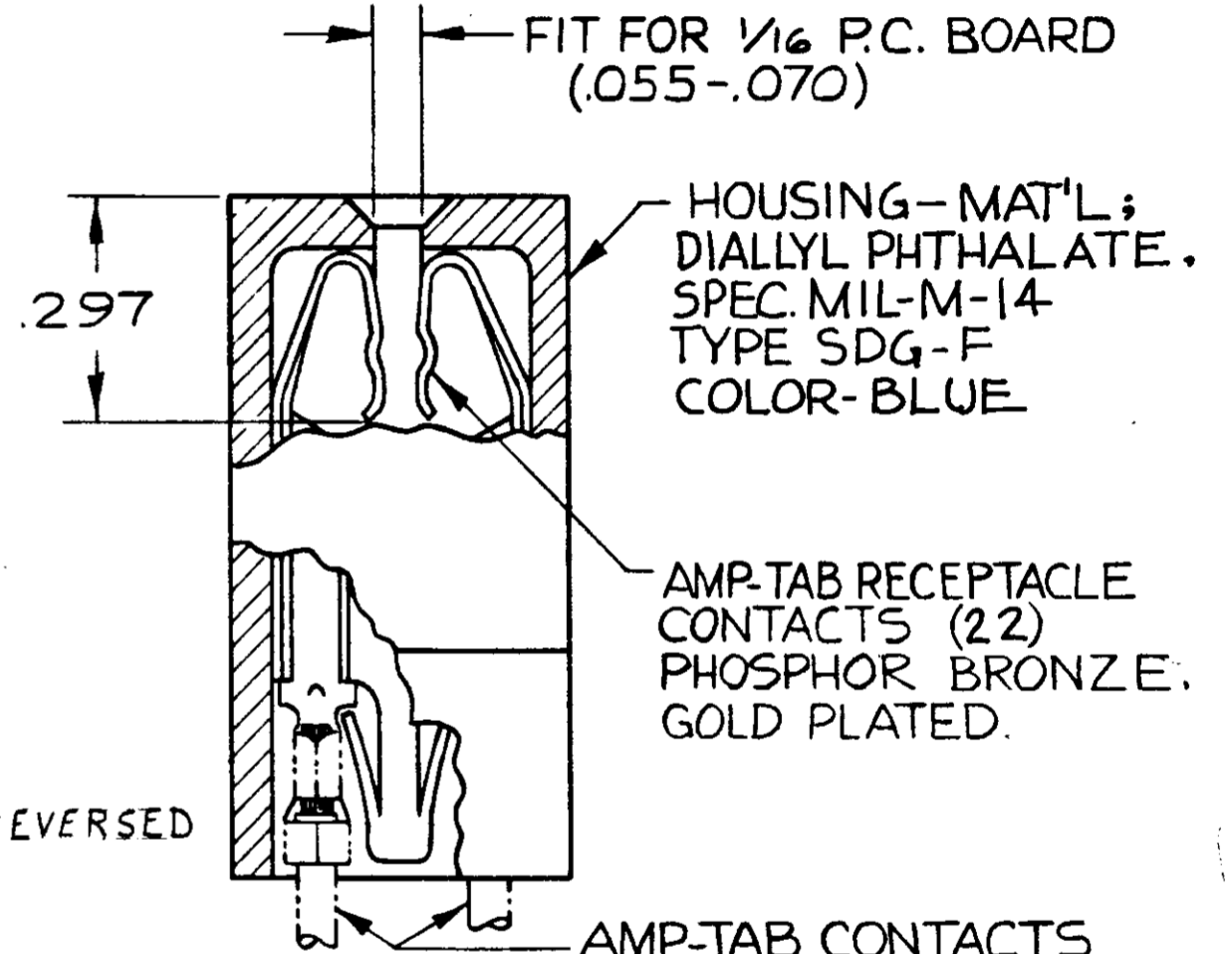
582557-1 1. AS SHOWN. "J" DIA. HOLES = .156  
 OBS. ~~582557-2~~ 1. SAME AS -1 EXCEPT.  
 2. "J" DIA. HOLES = .128

OBS. ~~582557-4~~ 1. SAME AS -1 EXCEPT:  
 2. FLOATING BUSHINGS.

OBS. ~~582557-5~~ 1. SAME AS -4 EXCEPT:  
 - BUSHINGS REVERSED.  
 (1)-582557-1 1. SAME AS -1 EXCEPT TO HAVE CAVITY IDENT. ON TOP SURFACE OF HOUSING.  
 (1)-582557-2 1. SAME AS -2 EXCEPT TO HAVE CAVITY IDENT. ON TOP SURFACE OF HOUSING.

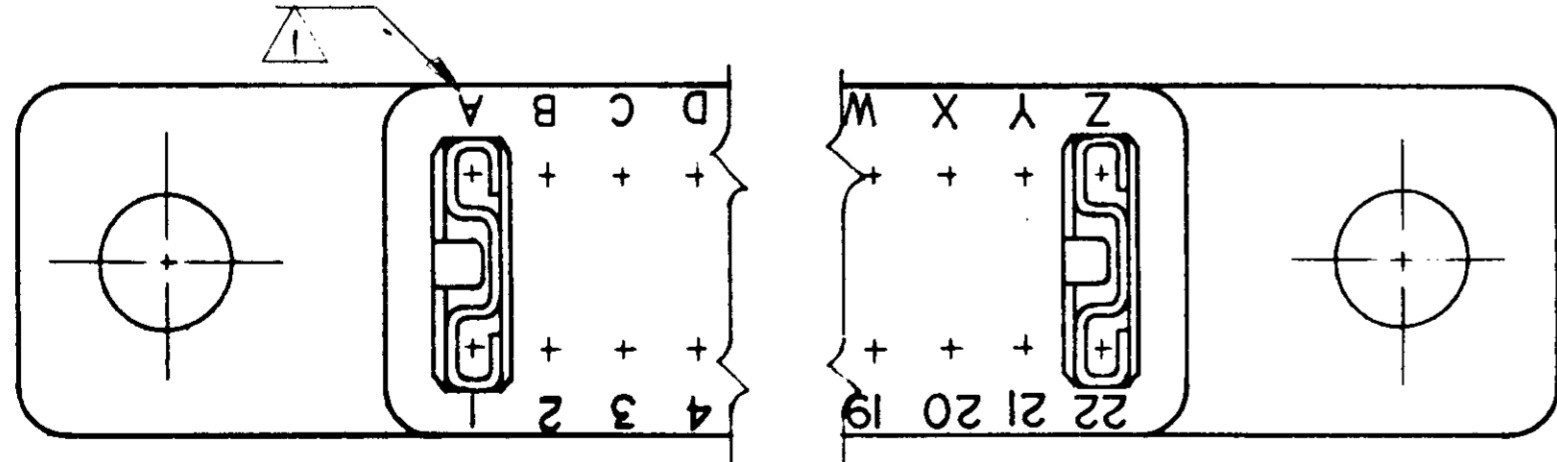


CLEARANCE FOR #4 SCREW



-4  
 -5 BUSHING REVERSED AS SHOWN

SECTION A-A



NOTE:  
 1. UPPER CASE LETTERS. OMIT LETTERS G, I, O, S, Q  
 CIRCUIT CAVITY IDENTIFICATION MARKING PER MIL-C-21097.  
 2. GROOVES FOR "ON CONTACT KEYING" AMP'S OPTION DEPENDING ON METHOD OF MANUFACTURE. FOR "ON CONTACT" KEYING USE KEYING PLUG D/N 583487-1 (MUST BE ORDERED SEPARATELY.)

3. LASER MARKING ACCEPTABLE FOR ALL MARKING

UNLESS OTHERWISE SPECIFIED DIMENSIONS ARE IN INCHES TOLERANCES ON		CONTRACT NO.		AMP INCORPORATED HARRISBURG, PENNSYLVANIA	
FRACTIONS ± #	DECIMALS ± .005	ANGLES ± #	DR J. Asch	DATE 6-7-67	 NAME 22 POSITION AMP-TAB CONNECTOR .100 CENTERS DUAL
MATERIAL SEE CALLOUT			CHK S.S. Heide	DATE 3/9/67	
HEAT TREAT #			APPD P. ...	DATE 2-1-7	
FINISH SEE CALLOUT			DSGN APPD C. ...	DATE 12/1/67	
SIZE C		CODE IDENT NO 00779	NUMBER 582557	REV S	SCALE 4-1

NUMBER 582557