



Chipsmall Limited consists of a professional team with an average of over 10 year of expertise in the distribution of electronic components. Based in Hongkong, we have already established firm and mutual-benefit business relationships with customers from,Europe,America and south Asia,supplying obsolete and hard-to-find components to meet their specific needs.

With the principle of “Quality Parts,Customers Priority,Honest Operation,and Considerate Service”,our business mainly focus on the distribution of electronic components. Line cards we deal with include Microchip,ALPS,ROHM,Xilinx,Pulse,ON,Everlight and Freescale. Main products comprise IC,Modules,Potentiometer,IC Socket,Relay,Connector.Our parts cover such applications as commercial,industrial, and automotives areas.

We are looking forward to setting up business relationship with you and hope to provide you with the best service and solution. Let us make a better world for our industry!



## Contact us

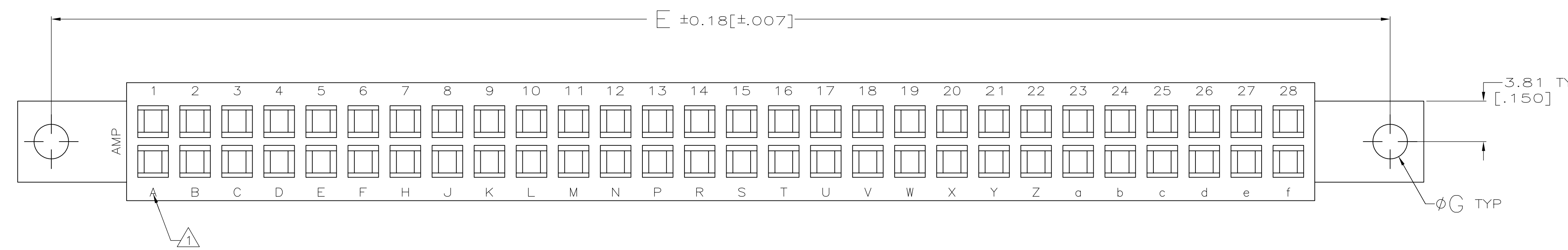
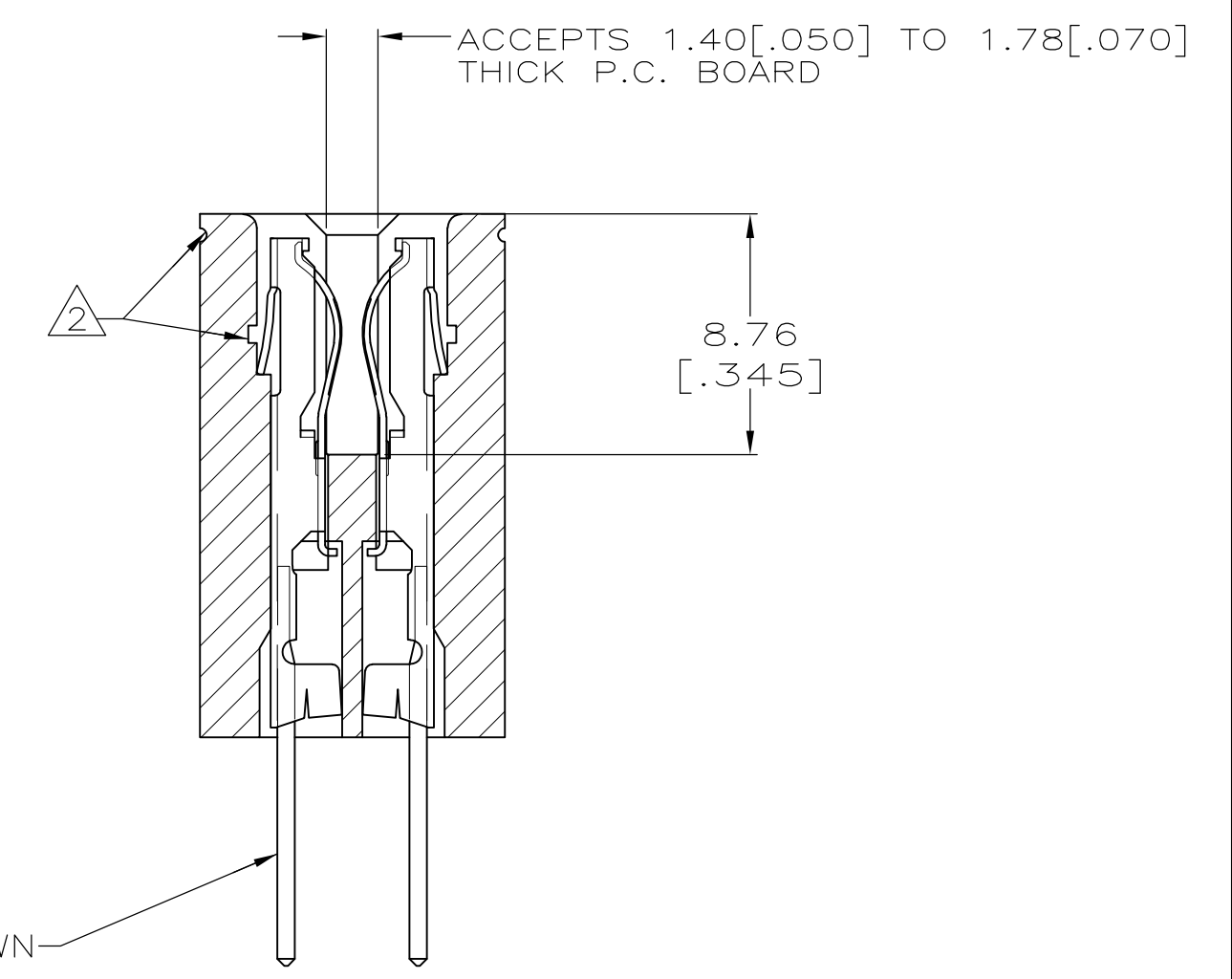
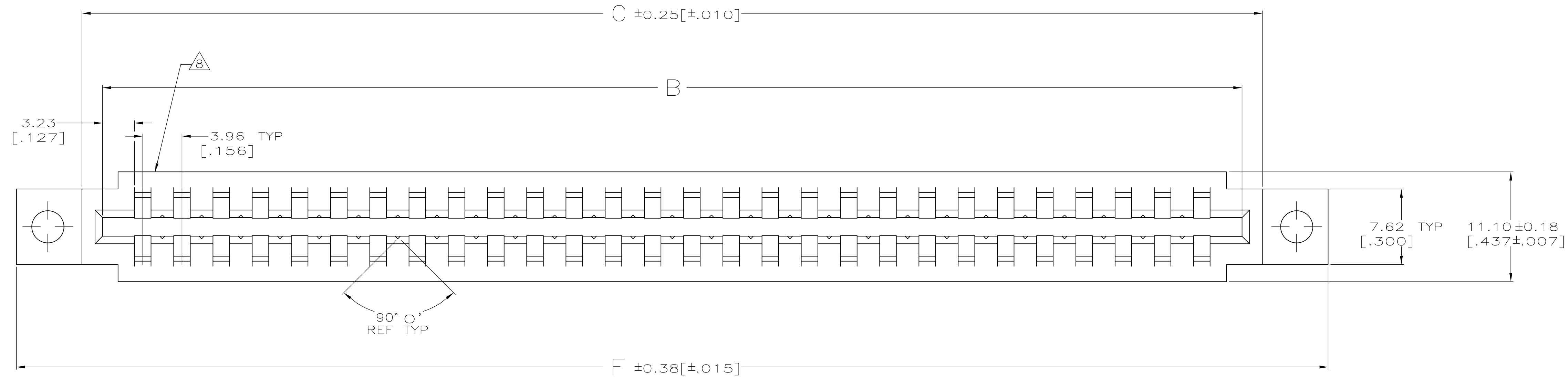
Tel: +86-755-8981 8866 Fax: +86-755-8427 6832

Email & Skype: info@chipsmall.com Web: www.chipsmall.com

Address: A1208, Overseas Decoration Building, #122 Zhenhua RD., Futian, Shenzhen, China



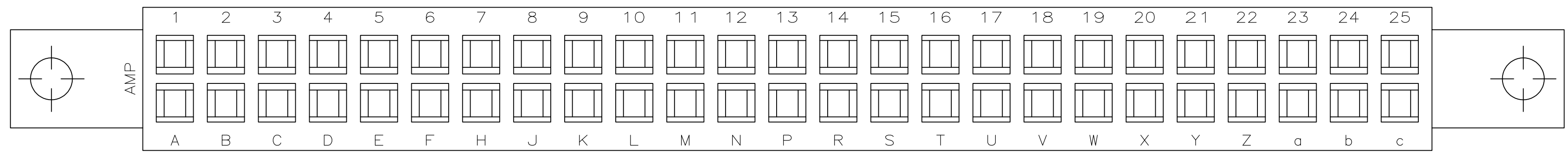
LOC		DIST		REVISIONS			
P	LTR	DESCRIPTION	DATE	OWN	APVD		
AD	00	AA1	REVISED PER ECO-11-005140	26MAR11	RK	HMR	



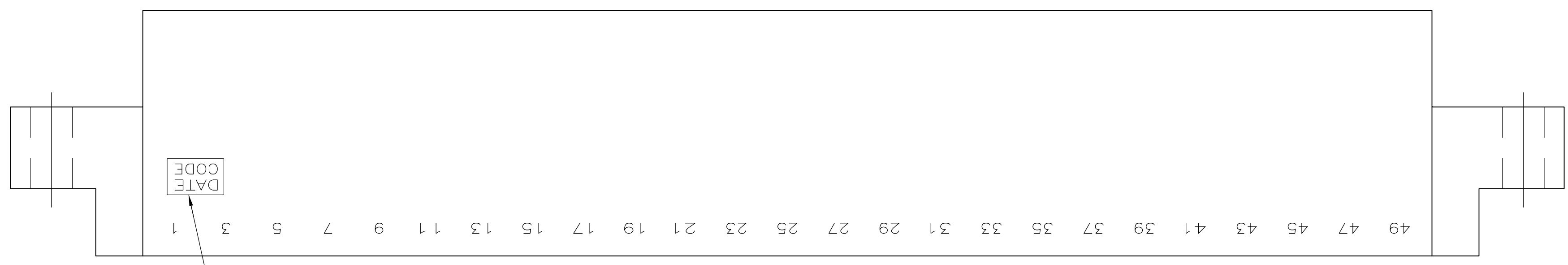
THIS DRAWING IS A CONTROLLED DOCUMENT.		OWN: J. GALLUCCI BG	12-10-92	<b>STE</b> TE Connectivity
DIMENSIONS: MM(INCHES)		CHK: H. ROSE	3/2/94	
TOLERANCES UNLESS OTHERWISE SPECIFIED:		APVD: H. ROSE	3/2/94	HOUSING, CRIMP SNAP TWIN LEAF, .156¢ WITH MOUNTING EARS
0 PLC ± -		PRODUCT SPEC		
1 PLC ± -		APPLICATION SPEC		SIZE: A1 CAGE CODE: 00779 DRAWING NO: 583859
2 PLC ± -		WEIGHT		
3 PLC ± 0.13 [.005]		CUSTOMER DRAWING		SCALE: 4:1 SHEET 1 OF 2 REV: AA1
4 PLC ± -				
ANGLES ± -				
FINISH -				



- 1 FIRST 22 POSITIONS MARKED WITH UPPER CASE LETTERS, FOLLOWED BY LOWER CASE LETTERS, FOLLOWED BY UPPERCASE AA,AB,AC ETC. CHARACTERS G,I,O AND Q ARE OMITTED. SEE TABLE FOR END CAVITY IDENTIFICATION.
- 2 PULL GROOVES OPTIONAL THESE LOCATIONS REF ONLY.
- 3 HOUSING PART NUMBER, UL & CSA LOGO'S TO BE MOLDED IN THIS AREA. UL LOGO PER 1-18838-3, CSA LOGO PER 1-18839-3.
- 4 CORING AT AMP'S OPTION REF ONLY.
- 5 HOT STAMP CUSTOMER PART NUMBER 2471-3190 IN THIS AREA FOR 1-583859-7 ONLY.
- 6 STAMPED WITH SPECIAL CAVITY IDENTIFICATION ON SIDES OF HOUSING.
- 7  $\phi 6.35 \pm 0.38 [ .250 \pm 0.015 ]$  WHITE DOT IN LOWER LEFT HAND CORNER.
- 8 DATE CODE TO BE MOLDED IN THIS AREA



OBSOLETE	10 & L	.128	2.409	2.159	1.600	1.888	1.724	10	2-583859-8	
OBSOLETE	14 & R	.128	3.033	2.783	2.224	2.512	2.348	14	2-583859-7	
OBSOLETE	25 & c	.128	4.749	4.500	3.940	4.228	4.064	25	2-583859-5	
	36 & r	.128	6.465	6.215	5.656	5.944	5.780	36	2-583859-3	
	8 & J	.128	2.097	1.847	1.288	1.576	1.412	8	2-583859-1	
OBSOLETE	24 & b	.128	4.593	4.343	3.784	4.072	3.908	24	1-583859-9	
OBSOLETE	28 & f	.128	5.217	4.967	4.408	4.696	4.532	28	1-583859-7	
	12 & N	.128	2.721	2.471	1.912	2.200	2.036	12	1-583859-5	
	6 & F	.128	1.785	1.535	.976	1.264	1.100	6	1-583859-3	
OBSOLETE	18 & V	.156	3.657	3.407	2.848	3.136	2.972	18	1-583859-1	
	10 & L	.128	2.409	2.159	1.600	1.888	1.724	10	583859-9	
	15 & S	.128	3.189	2.939	2.380	2.668	2.504	15	583859-7	
	18 & V	.128	3.657	3.407	2.848	3.136	2.972	18	583859-5	
	22 & Z	.128	4.281	4.031	3.472	3.760	3.596	22	583859-3	
	28 & f	.128	5.217	4.967	4.408	4.696	4.532	28	583859-1	
	END CAVITY IDENT		G	F	E	D	C	B	POSN	PART NUMBER



2-583859-5 6

THIS DRAWING IS A CONTROLLED DOCUMENT.		OWN	J. GALLUCCI	12-10-92	PART NO	
DIMENSIONS: mm [INCHES]		CHK	H. ROSE	3/2/94	TE Connectivity	
TOLERANCES UNLESS OTHERWISE SPECIFIED:		APVD	H. ROSE	3/2/94	NAME	
0 PLC	±	PRODUCT SPEC	HOUSING, CRIMP SNAP			
1 PLC	±	APPLICATION SPEC	TWIN LEAF, .156			
2 PLC	±	WEIGHT	WITH MOUNTING EARS			
3 PLC	±	FINISH	SIZE			
4 PLC	±	SCALE	CAGE CODE			
ANGLES	±	SCALE	DRAWING NO			
		SCALE	A1 00779			
		SCALE	C=583859			
		SCALE	CUSTOMER DRAWING			
		SCALE	SCALE 4:1			
		SCALE	SHEET 2 OF 2			
		SCALE	REV AA1			