



Chipsmall Limited consists of a professional team with an average of over 10 year of expertise in the distribution of electronic components. Based in Hongkong, we have already established firm and mutual-benefit business relationships with customers from,Europe,America and south Asia,supplying obsolete and hard-to-find components to meet their specific needs.

With the principle of "Quality Parts,Customers Priority,Honest Operation,and Considerate Service",our business mainly focus on the distribution of electronic components. Line cards we deal with include Microchip,ALPS,ROHM,Xilinx,Pulse,ON,Everlight and Freescale. Main products comprise IC,Modules,Potentiometer,IC Socket,Relay,Connector.Our parts cover such applications as commercial,industrial, and automotives areas.

We are looking forward to setting up business relationship with you and hope to provide you with the best service and solution. Let us make a better world for our industry!



Contact us

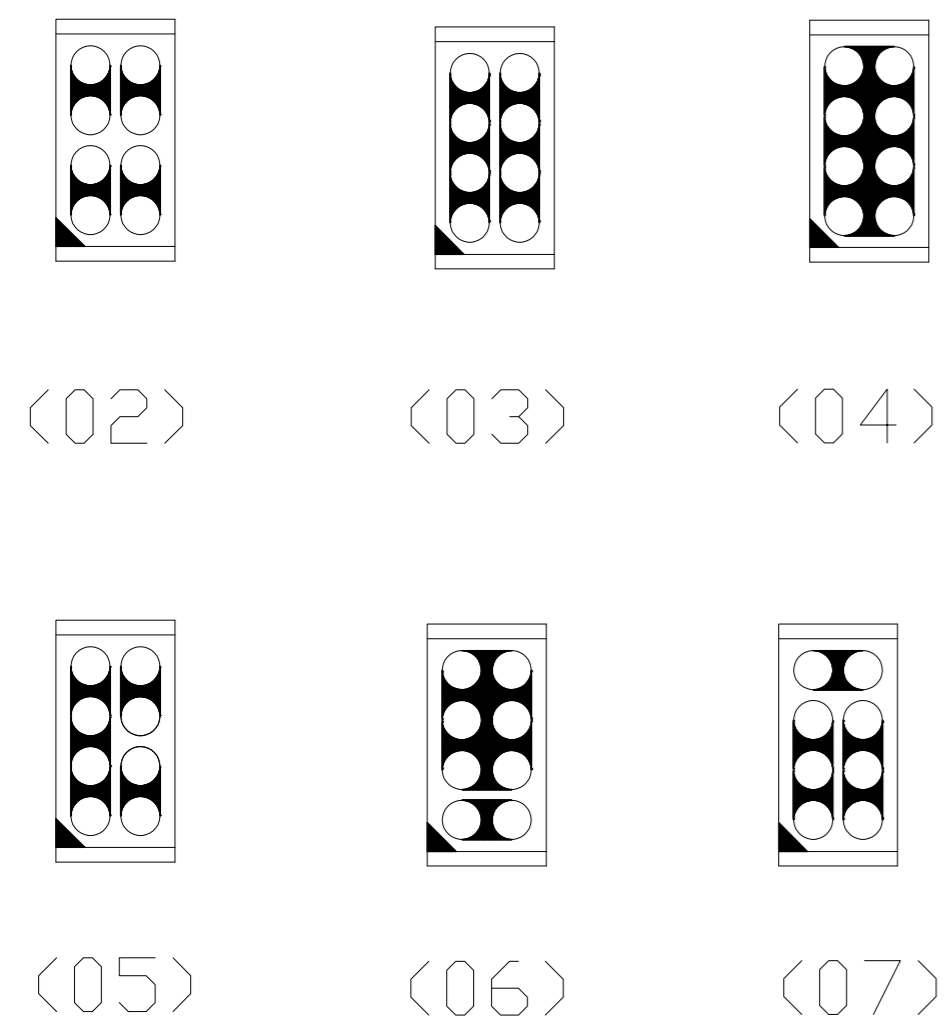
Tel: +86-755-8981 8866 Fax: +86-755-8427 6832

Email & Skype: info@chipsmall.com Web: www.chipsmall.com

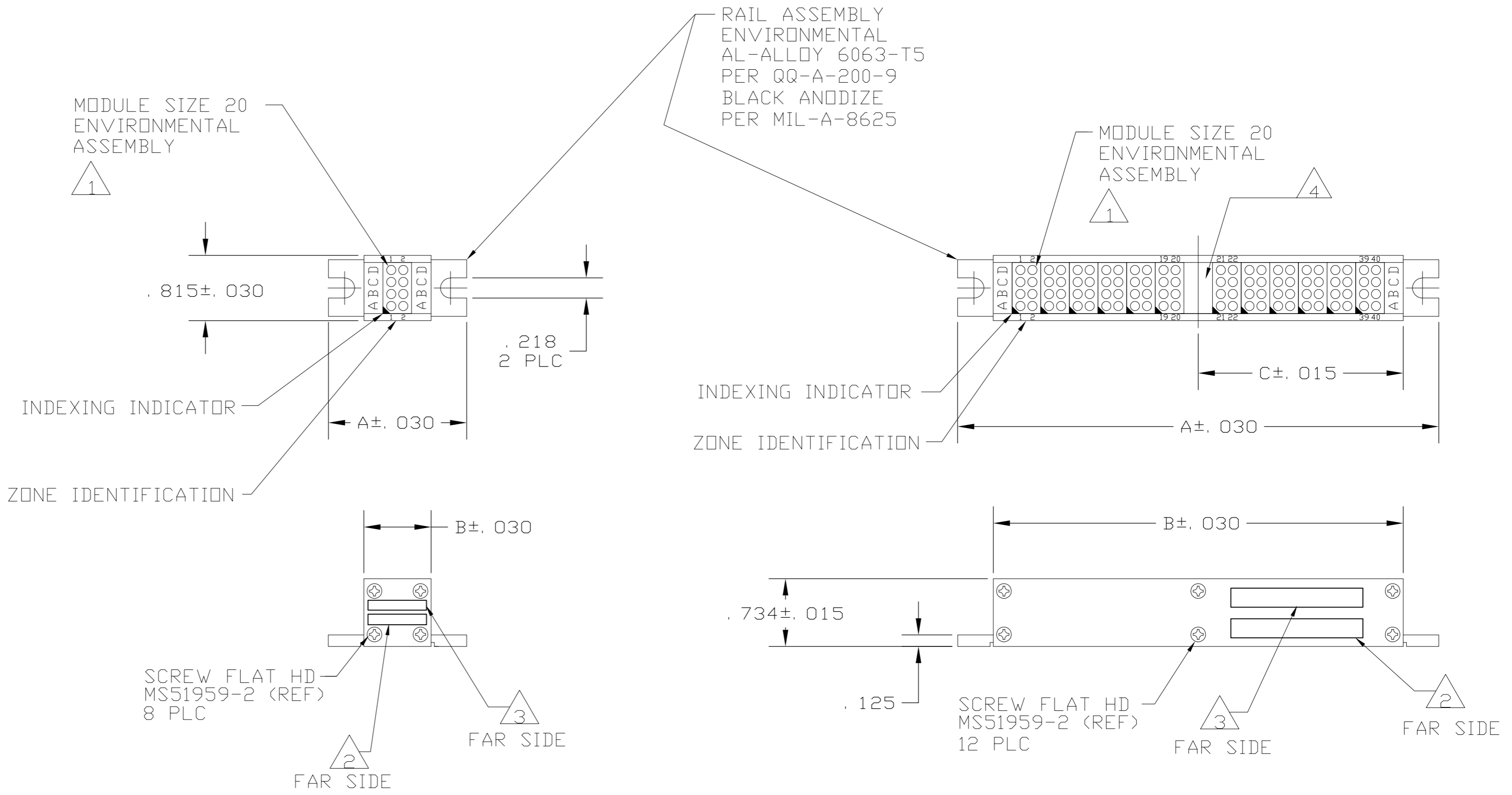
Address: A1208, Overseas Decoration Building, #122 Zhenhua RD., Futian, Shenzhen, China



LDC		DIST		REVISIONS			
P	LTR	DESCRIPTION	DATE	DWN	APVD		
DF	AO	A	REV PER ECO-07-026787	16NOV07	PY	DE	



BUSSING ARRANGEMENTS





- 5. PART NUMBERS THAT DO NOT CONTAIN MODULES ARE RAIL KITS AND ARE NOT ASSEMBLED
- 4. RAIL ASSEMBLIES WITH TWELVE MODULE ASSEMBLIES OR MORE CONTAIN TIE BLOCK INSERT AT CENTER.
- 3. MARK RAIL IDENTIFICATION, "AMP", AMP PART NO. AND DATE CODE .060 MINIMUM HIGH CHARACTERS AT APPROXIMATE AREA SHOWN.
- 2. MARK CUSTOMER PART NO. IF REQUIRED .060 MINIMUM HIGH CHARACTERS AT APPROXIMATE AREA SHOWN.
- 1. MODULE ASSEMBLIES ARE ORIENTATED AS SHOWN FROM LOCATION NO. 1 ON RAIL ASSEMBLY.

THIS DRAWING IS A CONTROLLED DOCUMENT.		DWN	N. FRITZ	9-12-93	Tyco Electronics Corporation Harrisburg, PA 17105-3608		
DIMENSIONS: INCHES		CHK	R. RYAN	9-13-93			
TOLERANCES UNLESS OTHERWISE SPECIFIED:		APVD	R. RYAN	9-13-93	NAME		
0 PLC	± -	PRODUCT SPEC		RAIL, FEED-BACK, SIZE 20, ENVIRONMENTAL, 1 ROW, TJ ASSY			
1 PLC	± -	APPLICATION SPEC		SIZE	CAGE CODE	DRAWING NO	RESTRICTED TO
2 PLC	± -	MATERIAL		A2	00779	C=591651	-
3 PLC	± .005	FINISH		SCALE	1:1	SHEET	1 of 2
4 PLC	± -	MATERIAL		CUSTOMER DRAWING			REV
ANGLES	± -	MATERIAL					A

THIS DRAWING IS UNPUBLISHED. RELEASED FOR PUBLICATION
 © COPYRIGHT BY TYCO ELECTRONICS CORPORATION. ALL RIGHTS RESERVED.

LOC	DIST	REVISIONS					
DF	A0	P	LTR	DESCRIPTION	DATE	DWN	APVD
		-	-	SEE SHEET 1	-	-	-

MARKING	BUSSING ARRANGEMENT	NUMBER OF MODULES	DIM. C	DIM. B	DIM. A	PART NO
ST194H037	(07)	1	.705	1.450		4-591651-1
SM-C-920523	(04)	8	2.875	3.620		4-591651-0
	(04)(04)(04)(03)(04)(03)(05)(06)(02)(02) TIE BLOCK (02)(02)(02)(02)(02)(02)(02)(02)(07)(07)	20	3.452	6.905	7.650	3-591651-7
	(02)	20	3.452	6.905	7.650	3-591651-6
		20	3.452	6.905	7.650	3-591651-5
	(03)	16	2.832	5.665	6.410	3-591651-4
		16	2.832	5.665	6.410	3-591651-3
	(04)	14	2.522	5.045	5.790	3-591651-2
		14	2.522	5.045	5.790	3-591651-1
	(02)	12	2.212	4.425	5.170	3-591651-0
		12	2.212	4.425	5.170	2-591651-9
	(05)(05)(07)(02)(02)(02)(02)(07)(03)(03)(05)	11	3.805	4.550		2-591651-8
	(04)	10	3.495	4.240		2-591651-7
	(04)(04)(04)(04)(04)(04)(03)(03)(03)(03)	10	3.495	4.240		2-591651-6
		10	3.495	4.240		2-591651-5
	(04)	8	2.875	3.620		2-591651-4
	(02)	8	2.875	3.620		2-591651-3
CH128475	(02)(03)(06)(07)(07)(03)(03)	7	2.565	3.310		2-591651-2
	(02)	7	2.565	3.310		2-591651-1
		7	2.565	3.310		2-591651-0
	(02)(02)(02)(02)(06)(06)	6	2.255	3.000		1-591651-9
	(04)(04)(03)(03)(02)(02)	6	2.255	3.000		1-591651-8
	(04)(04)(04)(04)(04)(07)	6	2.255	3.000		1-591651-7
	(04)	6	2.255	3.000		1-591651-6
	(02)	6	2.255	3.000		1-591651-5
		6	2.255	3.000		1-591651-4
	(02)(02)(02)(07)(07)	5	1.945	2.690		1-591651-3
		5	1.945	2.690		1-591651-2
	(04)	4	1.635	2.380		1-591651-1
	(02)	4	1.635	2.380		1-591651-0
	(04)(04)(05)	3	1.325	2.070		591651-9
	(02)	3	1.325	2.070		591651-8
	(02)(05)	2	1.015	1.760		591651-7
	(04)(03)	2	1.015	1.760		591651-6
	(04)	2	1.015	1.760		591651-5
	(02)	2	1.015	1.760		591651-4
	(07)	1	.705	1.450		591651-3
	(04)	1	.705	1.450		591651-2
	(02)	1	.705	1.450		591651-1

MARKING 	BUSSING ARRANGEMENT 	NUMBER OF MODULES	DIM. C	DIM. B	DIM. A	PART NO												
THIS DRAWING IS A CONTROLLED DOCUMENT.		DWN N.FRITZ 9-12-93	Tyco Electronics Corporation Harrisburg, PA 17105-3608															
DIMENSIONS: INCHES		CHK R.RYAN 9-13-93	NAME RAIL, FEED-BACK, SIZE 20, ENVIRONMENTAL, 1 ROW, TJ ASSY															
TOLERANCES UNLESS OTHERWISE SPECIFIED:		APVD R.RYAN 9-13-93	RESTRICTED TO															
<table border="0"> <tr><td>0 PLC</td><td>± -</td></tr> <tr><td>1 PLC</td><td>± -</td></tr> <tr><td>2 PLC</td><td>± -</td></tr> <tr><td>3 PLC</td><td>± .005</td></tr> <tr><td>4 PLC</td><td>± -</td></tr> <tr><td>ANGLES</td><td>± -</td></tr> </table>		0 PLC	± -	1 PLC	± -	2 PLC	± -	3 PLC	± .005	4 PLC	± -	ANGLES	± -	PRODUCT SPEC	SIZE CAGE CODE DRAWING NO			
0 PLC	± -																	
1 PLC	± -																	
2 PLC	± -																	
3 PLC	± .005																	
4 PLC	± -																	
ANGLES	± -																	
MATERIAL FINISH		APPLICATION SPEC	A2 00779 C=591651															
		WEIGHT	SCALE 1:1 SHEET 2 of 2 REV A															
		CUSTOMER DRAWING																