



Chipsmall Limited consists of a professional team with an average of over 10 year of expertise in the distribution of electronic components. Based in Hongkong, we have already established firm and mutual-benefit business relationships with customers from,Europe,America and south Asia,supplying obsolete and hard-to-find components to meet their specific needs.

With the principle of “Quality Parts,Customers Priority,Honest Operation,and Considerate Service”,our business mainly focus on the distribution of electronic components. Line cards we deal with include Microchip,ALPS,ROHM,Xilinx,Pulse,ON,Everlight and Freescale. Main products comprise IC,Modules,Potentiometer,IC Socket,Relay,Connector.Our parts cover such applications as commercial,industrial, and automotives areas.

We are looking forward to setting up business relationship with you and hope to provide you with the best service and solution. Let us make a better world for our industry!



Contact us

Tel: +86-755-8981 8866 Fax: +86-755-8427 6832

Email & Skype: info@chipsmall.com Web: www.chipsmall.com

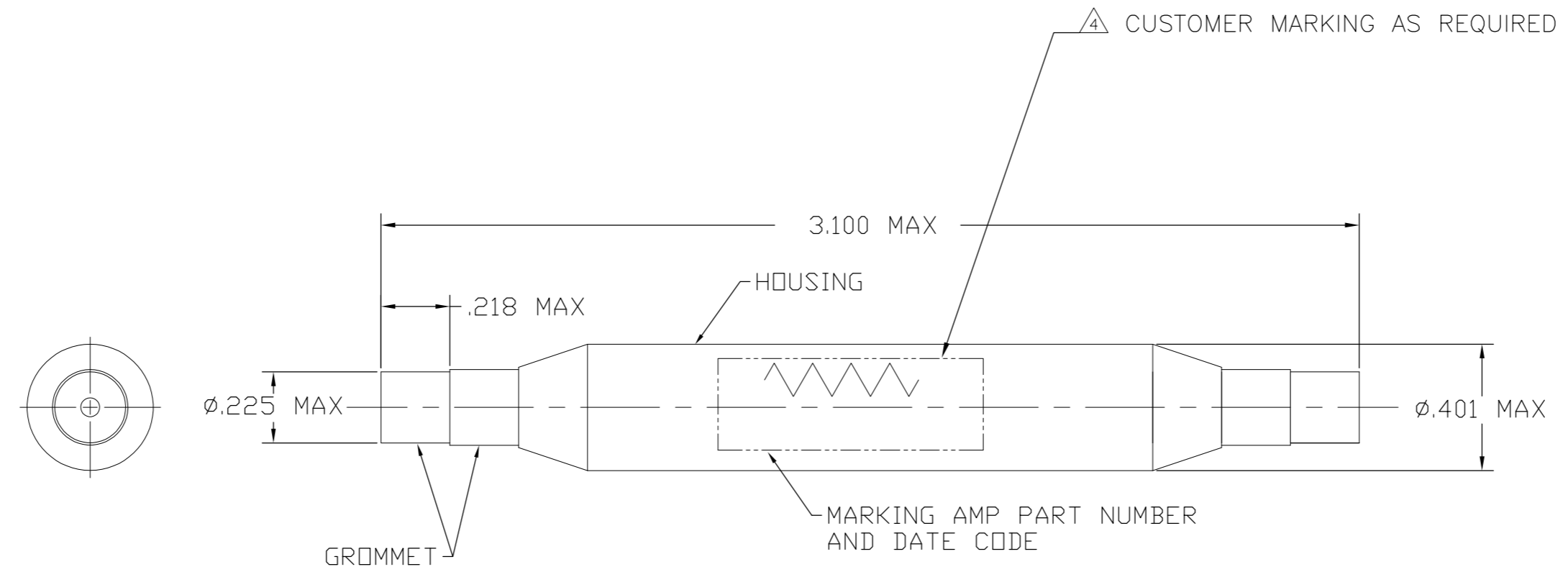
Address: A1208, Overseas Decoration Building, #122 Zhenhua RD., Futian, Shenzhen, China



THIS DRAWING IS UNPUBLISHED. RELEASED FOR PUBLICATION
 © COPYRIGHT - By - ALL RIGHTS RESERVED.

LDC		DIST		REVISIONS			
P	LTR	DESCRIPTION	DATE	DWN	APVD		
	K	REV PER ECO-12-000064	23JAN12	PY	DE		

DESCRIPTION	MATERIAL	FINISH
SHRINK TUBING	MIL-I-23053	
RETAINING CLIP	BeCu ASTM-B-194 OR STAINLESS STEEL PER QQ-S-766	
SOCKET CONTACT	BERYLIUM COPPER PER ASTM B196	GOLD PLATE MIL-G-45204
HOUSING	GLASS REINFORCED VALOX & EPOXY	
GROMMET	FLUROROSILICONE	



△ ENVIRONMENTS CREATED DURING OPERATION WHICH EXCEEDS THE WIRE SPLICE RATED PERFORMANCE IS THE RESPONSIBILITY OF THE USER. THE RESISTOR SPECIFICATIONS SHOULD BE CONSULTED.

△ PIN CONTACT, SEALING PLUGS & INSERTION/EXTRACTION TOOL TO BE ORDERED SEPARATELY.

- A) PIN CONTACT: 2-592404-1
- B) SEALING PLUG: 592104-1
- C) TOOL: 592105-1

△ THIS ASSEMBLY MEETS OR EXCEEDS THE GENERAL REQUIREMENTS OF MIL-T-81714.

COMMENTS	CUST MARKING	RESISTOR SPEC	% TOLERANCE	WATTS	OHMS	PART NO
		RLR20C2202GR	±2°	1/2	22K	1-591917-4
		RLR32C1000GR	±2°	1	100	1-591917-3
		RLR07C1001GR	±2°	1/4	1K	1-591917-2
OBSOLETE			±1°	1/2	100K	1-591917-1
OBSOLETE			±1°	1/2	10K	1-591917-0
OBSOLETE			±1°	1/4	2.2K	591917-9
OBSOLETE			±1°	1/4	127	591917-8
OBSOLETE		RLR32C1000GS	±2°	1	100	591917-7
OBSOLETE			±1°	1/2	100	591917-6
		RLR32C1201GM	±2°	1	1.2K	591917-5
		RC20GF681J	±5°	1/2	680	591917-4
		RNC60J1002FS	±1°	1/8	10K	591917-3
	12810-1	RN65C1270F	±1°	1/2	127	591917-2
		RN65C1270F	±1°	1/2	127	591917-1

THIS DRAWING IS A CONTROLLED DOCUMENT.

DWN T. THOMPSON 08NOV2001		NAME		
CHK C. CHEHOVIN 03-10-96		WIRE SPLICE, SINGLE SIZE 20		
APVD C. CHEHOVIN 03-10-96		SIZE	CAGE CODE	DRAWING NO
PRODUCT SPEC		A2	00779	C-591917
APPLICATION SPEC	WEIGHT	SCALE	SHEET	
MATERIAL	FINISH	1:1	1 OF 1	
CUSTOMER DRAWING		REV	K	

591917

A